



# Hydro-Gear®

## FILTER AND FILTER BASE



WE SET THE  
**WHEELS**  
IN MOTION.®

## Features & Benefits

- Original Hydro-Gear® parts
- High quality at a reasonable price
- Ensures proper filtration of your system
- Protects your investment
- Maintains warranty coverage
- Compact size

## Filter:

- High efficiency
- Low pressure drop
- Optimized for use with Hydro-Gear® components

## Filter Base:

- Easily mounted
- SAE standard inlet and outlet ports
- Optimized for low pressure drop when used with Hydro-Gear® filter
- Accepts 3/4-16 UNF, 3" diameter spin-on filter elements
- Inlet and outlet flow markings

## Filter Specifications:

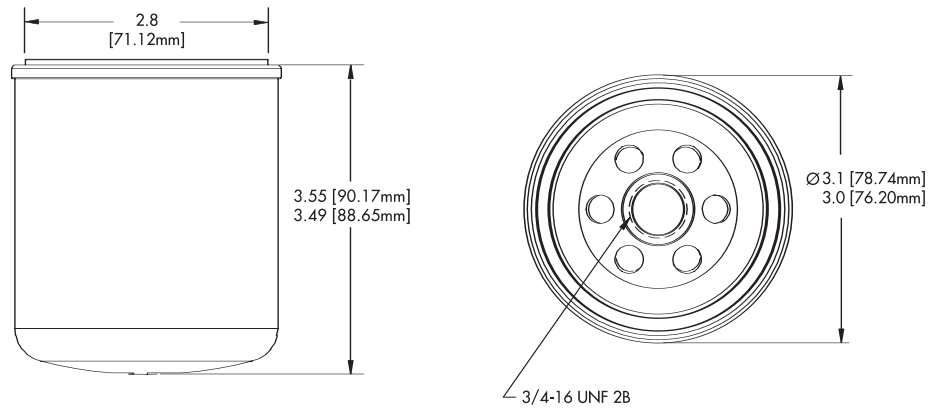
Efficiency Rating:

$$\beta_{25} = 2 \text{ (25 } \mu \text{ nominal)}$$

$$\beta_{40} = 75 \text{ (40 } \mu \text{ absolute)}$$

Pressure Drop:

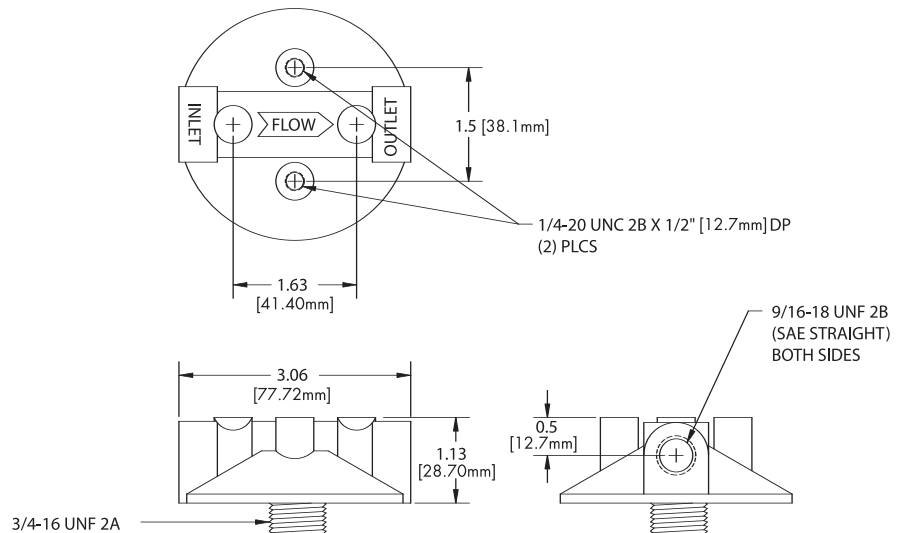
4.7 in Hg [0.16 bar] at 1 gpm [3.8 L/min] flow with 240 SUS [51 cSt] oil



## Filter Base Specifications:

9/16-18 UNF 2B straight thread inlet and outlet ports (SAE-6)

1/4-20 UNC 2B threaded bosses (2 places) for mounting



Specifications subject to change without notice.



**A World Leader in Hydrostatic Transaxles • Transmissions • Pumps • LSHT Wheel Motors • Gear Drives**

1411 South Hamilton St. • Sullivan, IL 61951 • Phone: (217) 728-2581 • Fax: (217) 728-7665 • www.hydro-gear.com

**European Support Center**

SKF Logistics Services • Heersterveldweg 16, Industriezone Oost • B-3700 Tongeren - Belgium  
Attn: Hydro-Gear ESC • TÉLÉPHONE +32 (0) 12 670 631 • TÉLÉCOPIE +32 (0) 12 670 630 • E-MAIL: hgeuro@hydro-gear.com