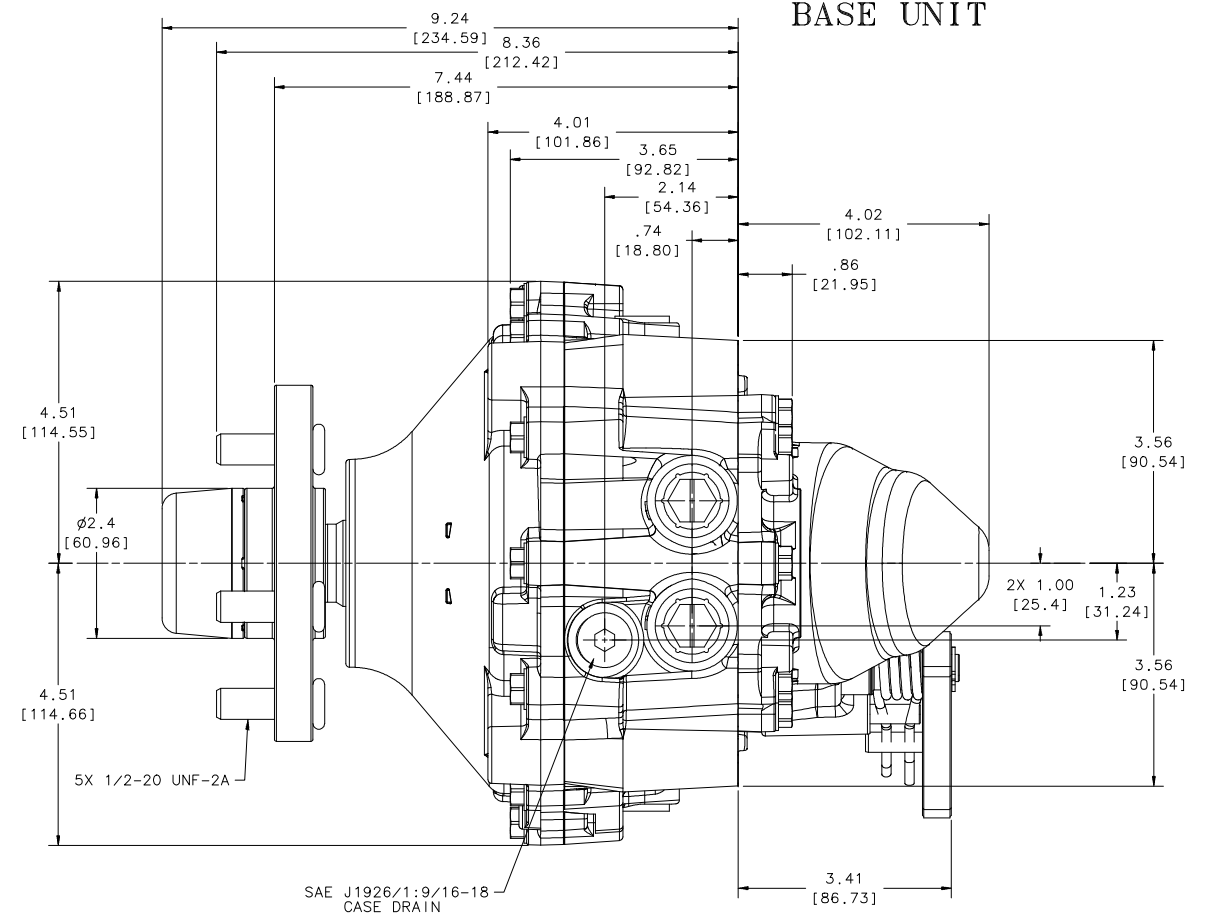
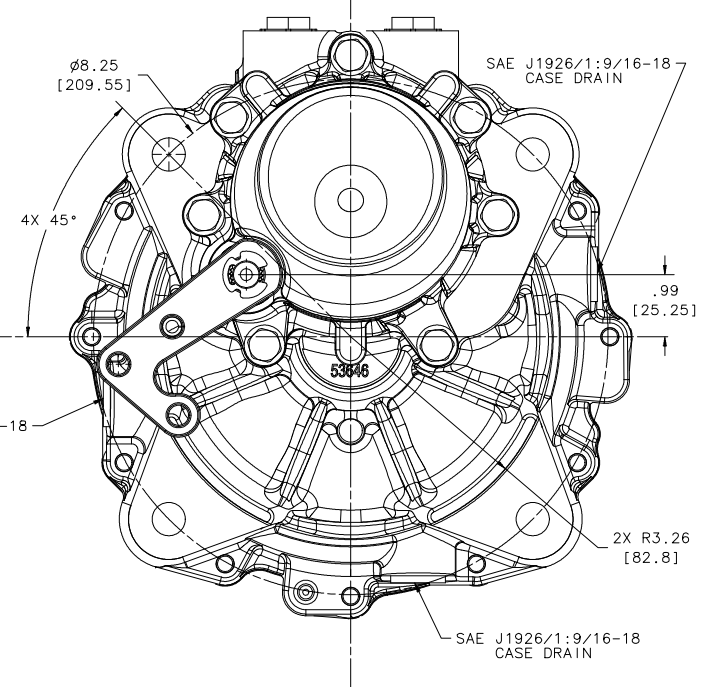
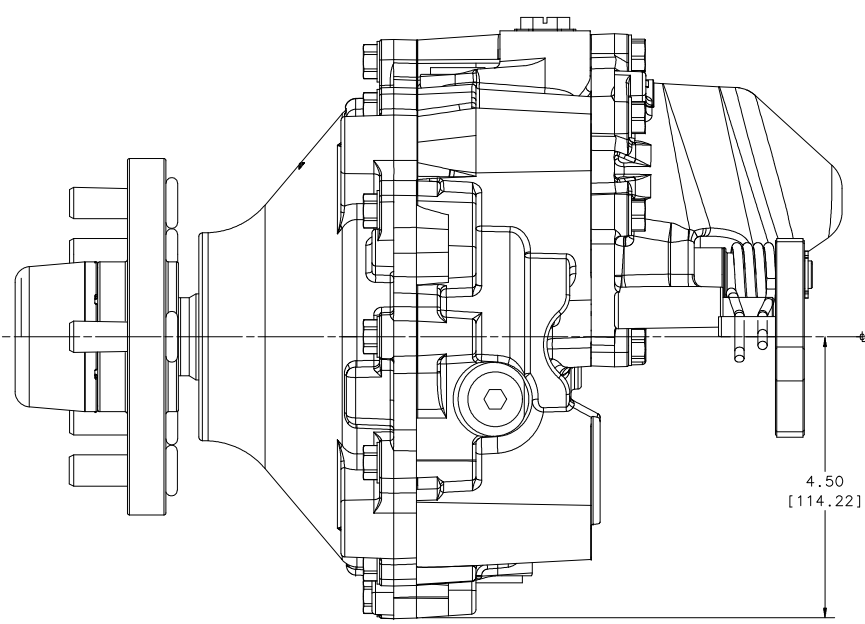
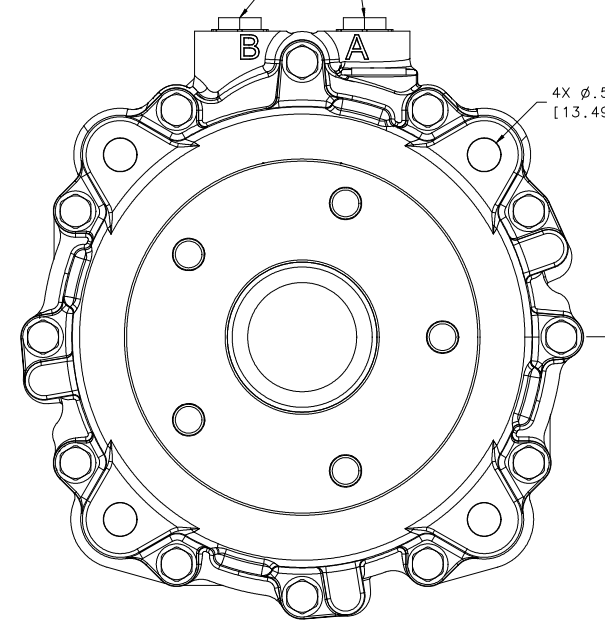


NOTICE - THIS DRAWING CONTAINS HYDRO-GEAR PROPRIETARY INFORMATION. NEITHER RECEIPT NOR POSSESSION THEREOF CONFERS ANY RIGHT TO REPRODUCE, USE, OR DISCLOSE, IN WHOLE OR PART, ANY SUCH INFORMATION WITHOUT WRITTEN AUTHORIZATION FROM HYDRO-GEAR. THE SPECIFICATIONS AND PRODUCT PROFILE DEPICTED HEREIN ARE APPROXIMATE REPRESENTATIONS SUBJECT TO CHANGE WITHOUT NOTICE OR OBLIGATION. CONSULT YOUR HYDRO-GEAR REPRESENTATIVE TO OBTAIN THE ENGINEERING INFORMATION APPROPRIATE TO YOUR APPLICATION.

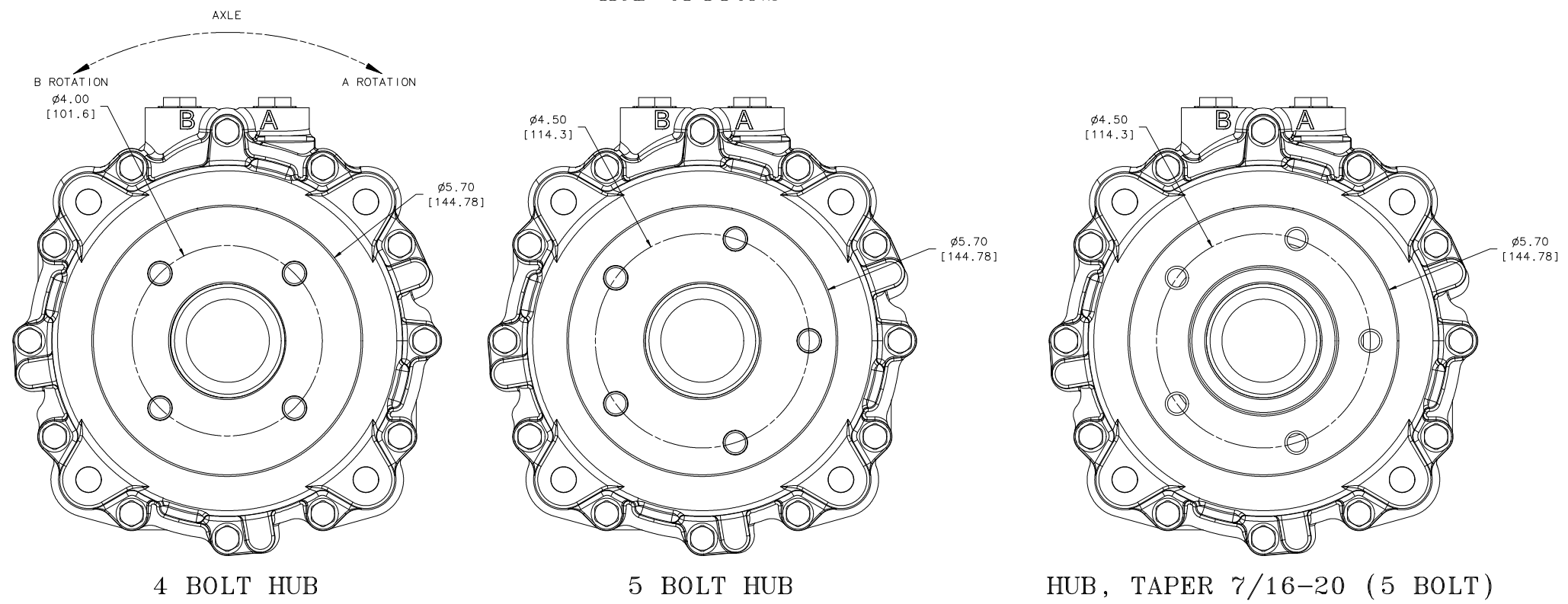
BASE UNIT



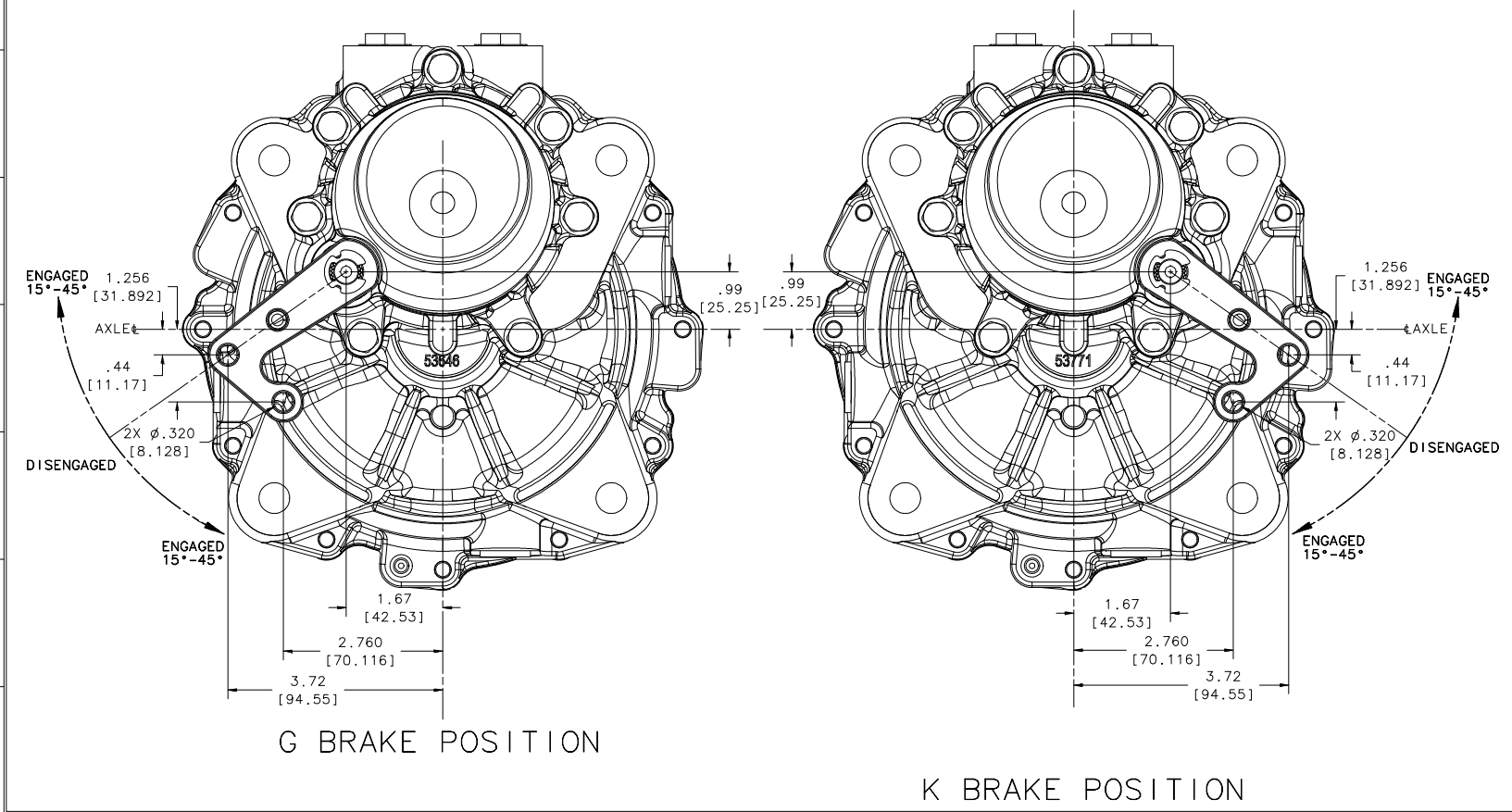
2X SAE J1926/1:3/4-16
 "A" AND "B" PORTS
 RECOMMENDED HYDRAULIC FITTING TORQUE
 J1926/3 3/4: 34 FT-LB
 J1926/2 3/4: 48 FT-LB



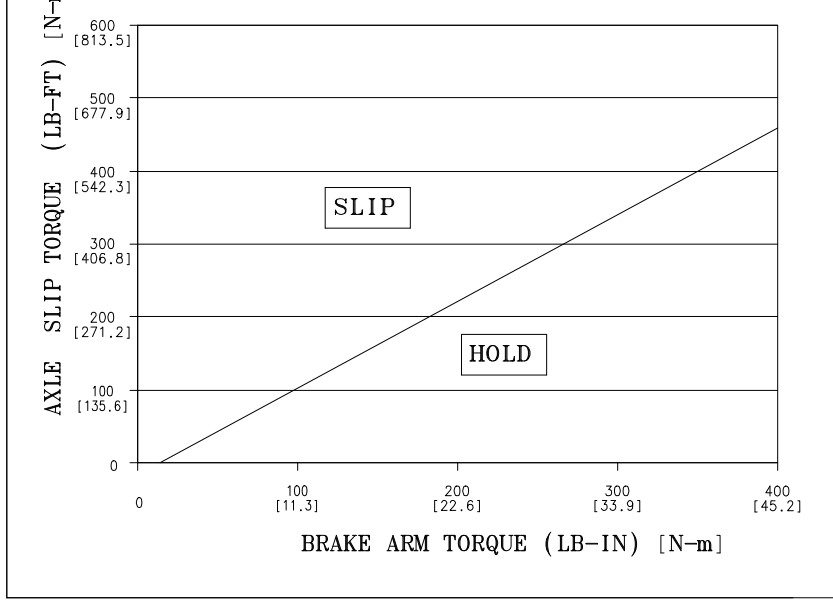
HUB OPTIONS



BRAKE OPTIONS



BRAKE HOLDING TORQUE



SUPPLY PORT	RETURN PORT	ROTATION	WHEEL MOTOR DISPLACEMENT	TIRE SIZE
A	B	A	15 IN ³ /REV	23-24 IN
B	A	B	18 IN ³ /REV	23-26 IN

NOTES:
1. ADD 1000mL OIL (MINIMUM) TO WHEEL MOTOR CASE BEFORE START-UP.