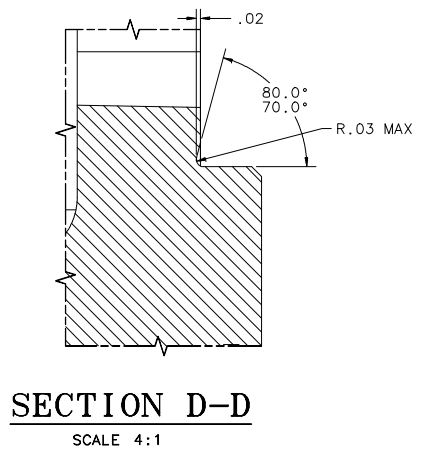
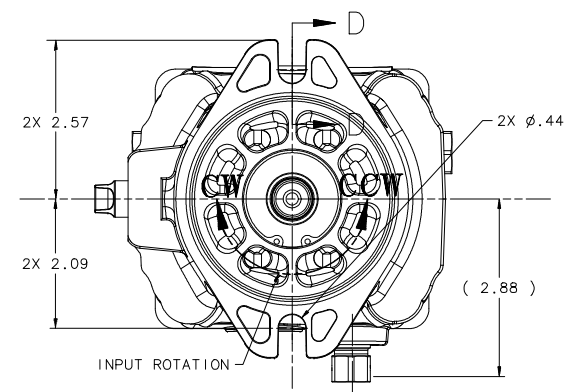
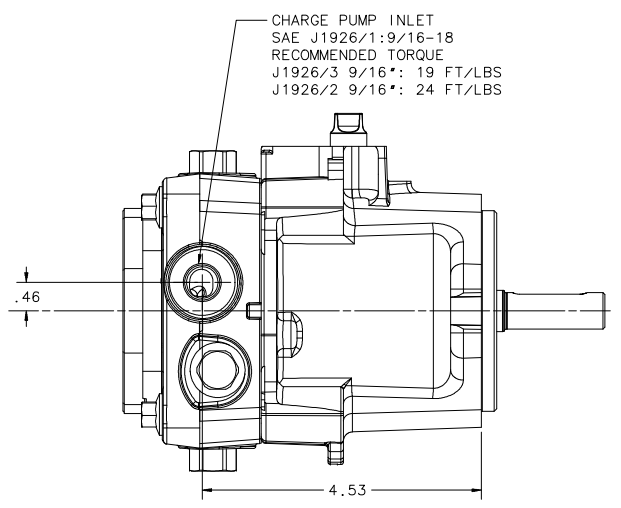
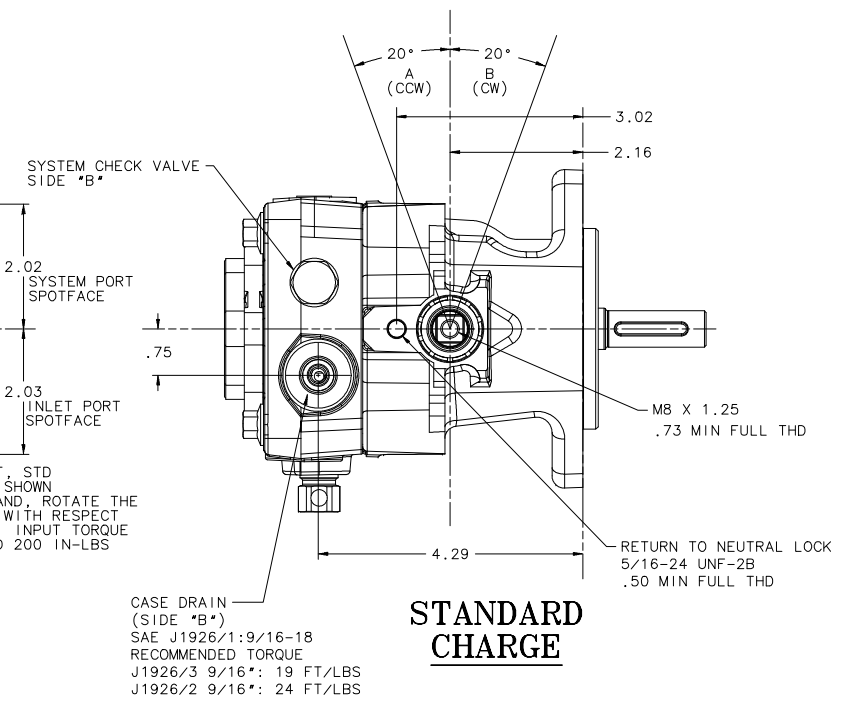
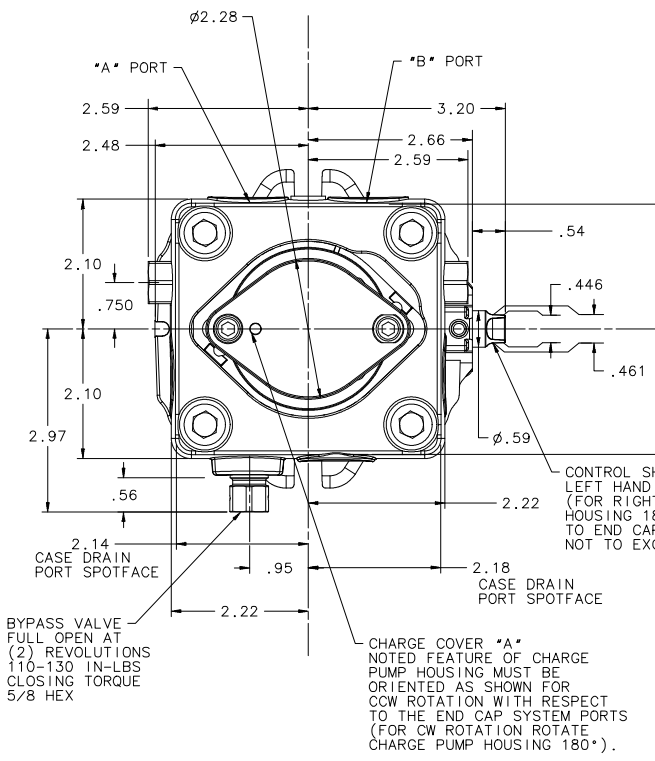
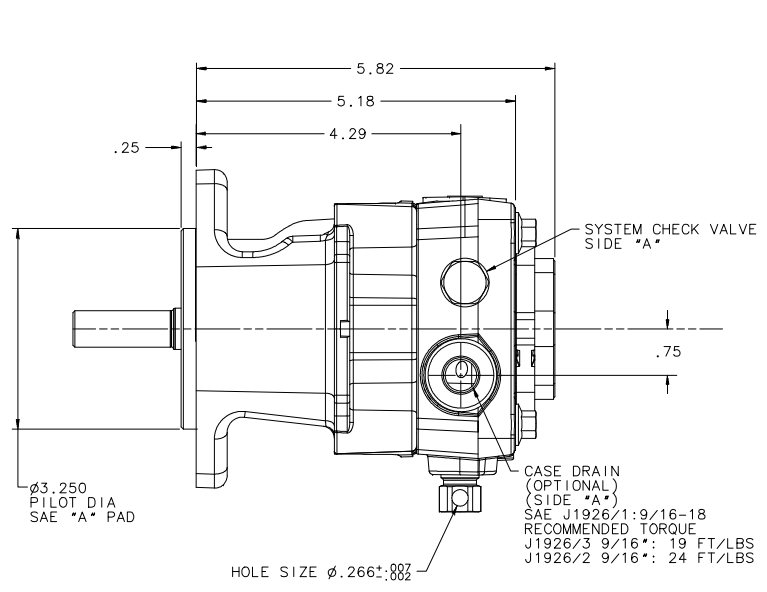
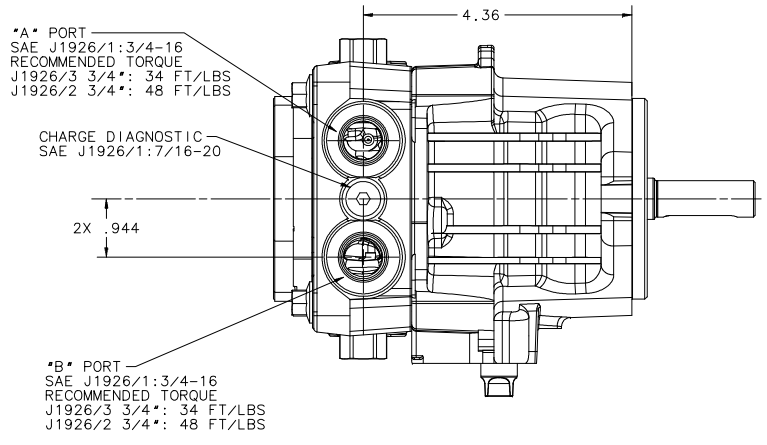
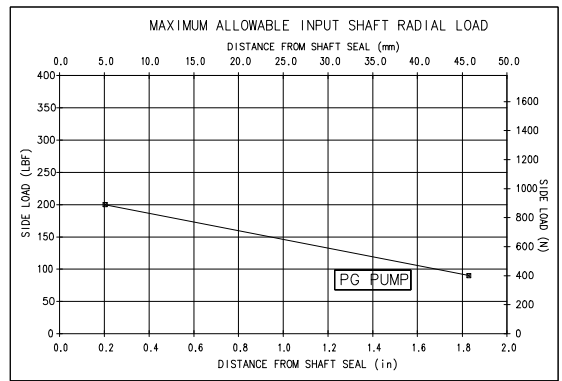


NOTICE - THIS DRAWING CONTAINS HYDRO-GEAR PROPRIETARY INFORMATION. NEITHER RECEIPT NOR POSSESSION THEREOF CONFERS ANY RIGHT TO REPRODUCE, USE, OR DISCLOSE, IN WHOLE OR PART, ANY SUCH INFORMATION WITHOUT WRITTEN AUTHORIZATION FROM HYDRO-GEAR. THE SPECIFICATIONS AND PRODUCT PROFILE DEPICTED HEREIN ARE APPROXIMATE REPRESENTATIONS SUBJECT TO CHANGE WITHOUT NOTICE OR OBLIGATION. CONSULT YOUR HYDRO-GEAR REPRESENTATIVE TO OBTAIN THE ENGINEERING INFORMATION APPROPRIATE TO YOUR APPLICATION.

CONTROL SHAFT SIDE	LEFT HAND				RIGHT HAND			
	CW		CCW		CW		CCW	
INPUT SHAFT ROTATION	A	B	A	B	A	B	A	B
CONTROL SHAFT ROTATION (DIRECTION)	(CCW)	(CW)	(CCW)	(CW)	(CCW)	(CW)	(CCW)	(CW)
SYSTEM PORT A FLOW	IN	OUT	OUT	IN	OUT	IN	IN	OUT
SYSTEM PORT B FLOW	OUT	IN	IN	OUT	IN	OUT	OUT	IN



SECTION D-D
SCALE 4:1

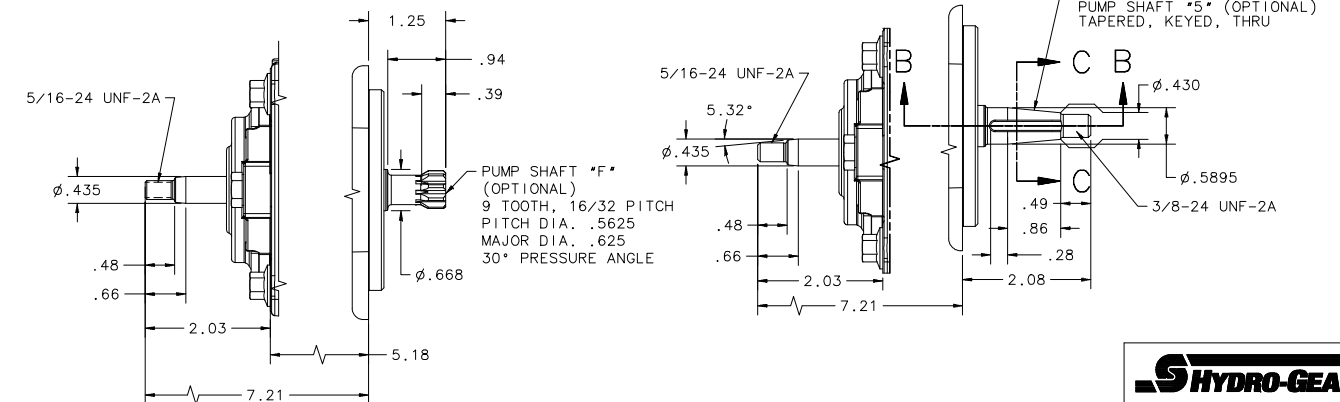
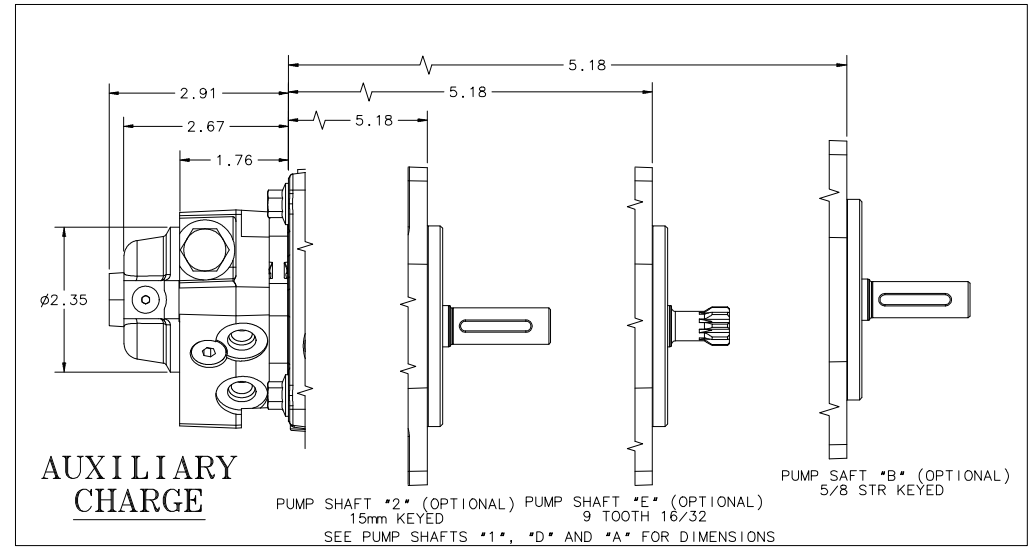
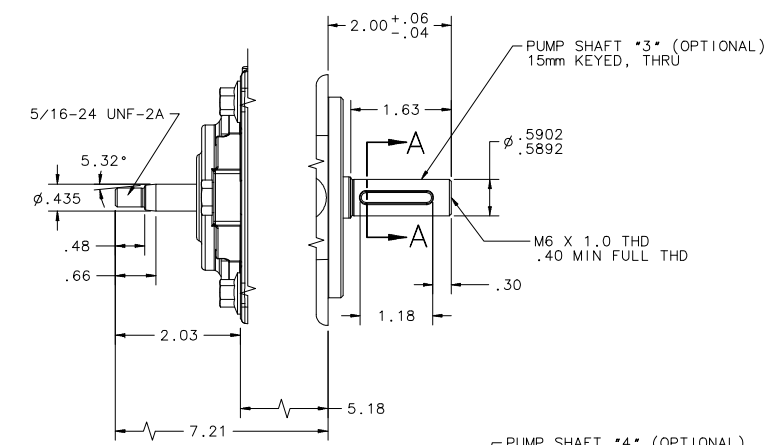
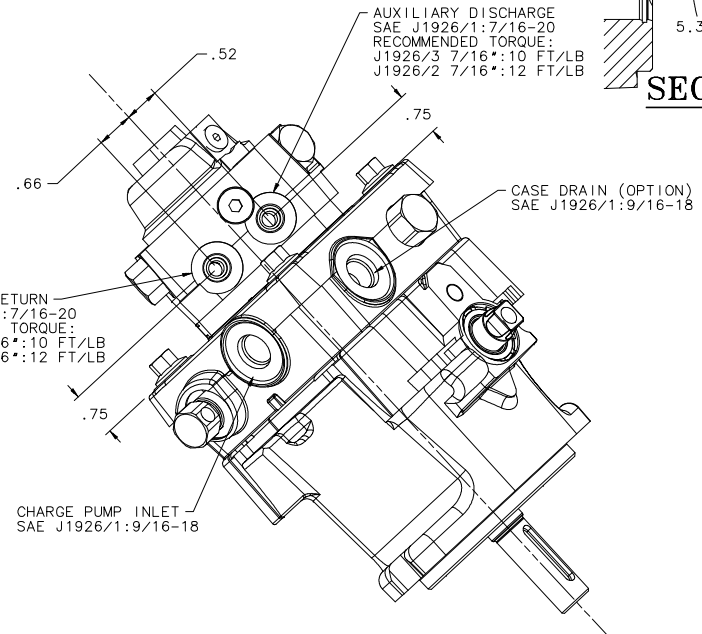
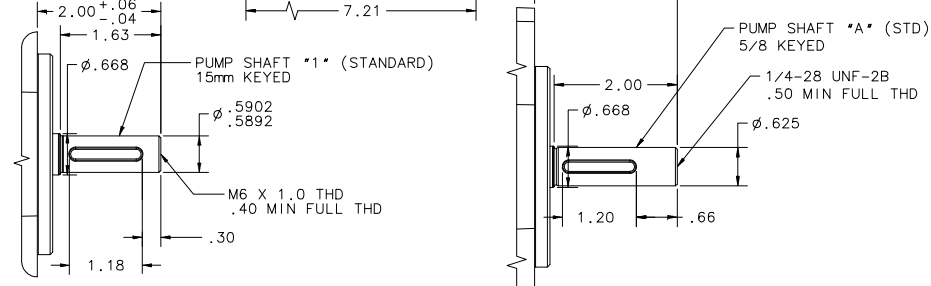
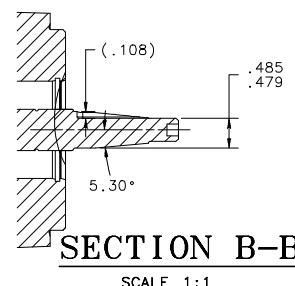
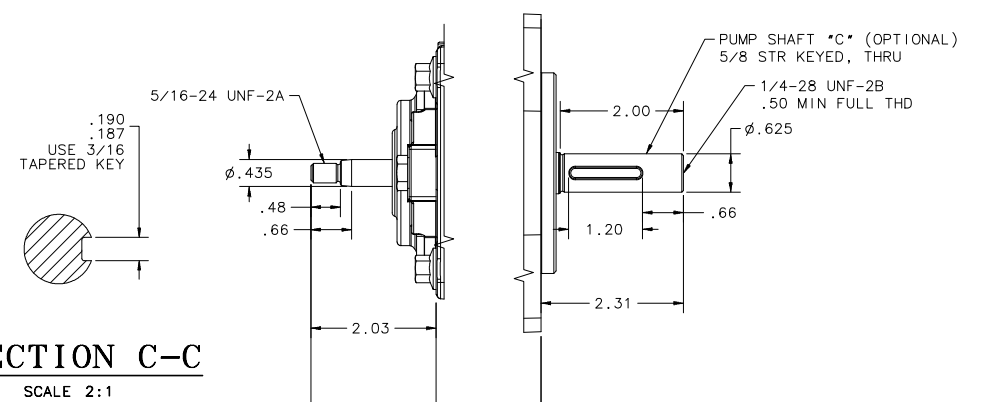
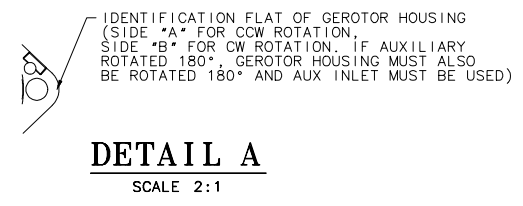
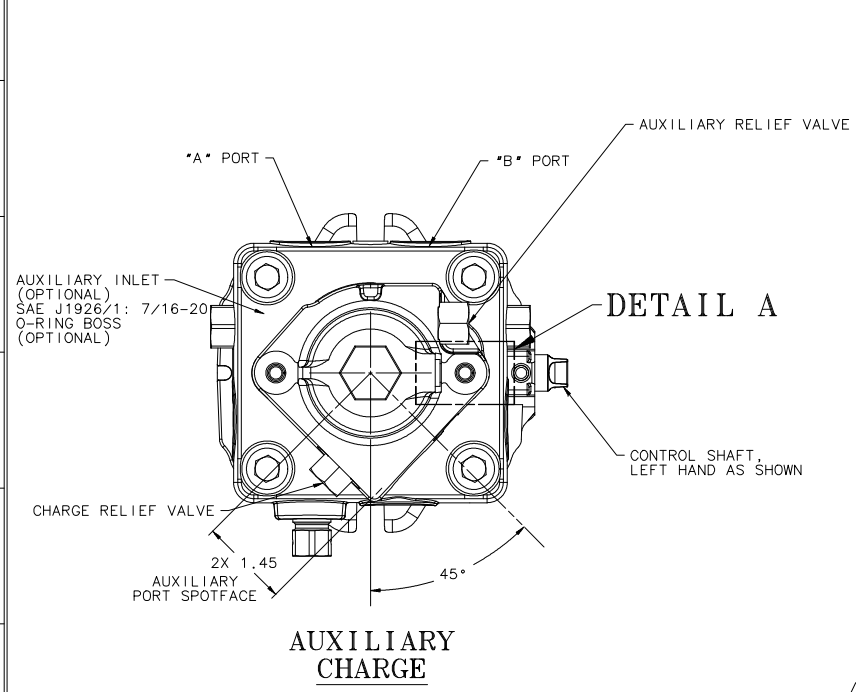
MODEL NUMBER CONFIGURATION GUIDE: 70964.XLS

HYDRO-GEAR
1411 S. HAMILTON ST. SULLIVAN, IL 61951 PHONE (217) 728-2581

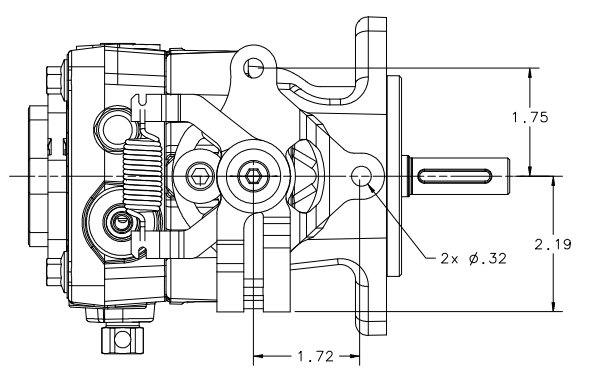
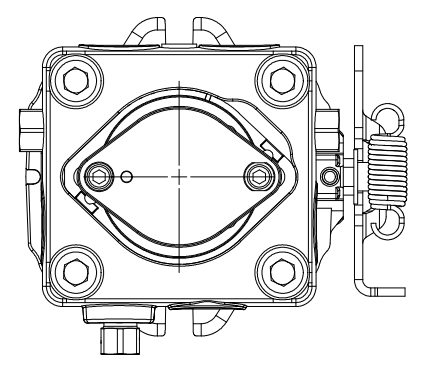
FRAME E	I-DEAS
DATE DRAWN	03/18/03
DRAWN BY	MS
SCALE	FULL
REVISION DATE	01/25/12
PART NUMBER	70950

NAME PG PUMP - VARIABLE DISPLACEMENT SALES DWG

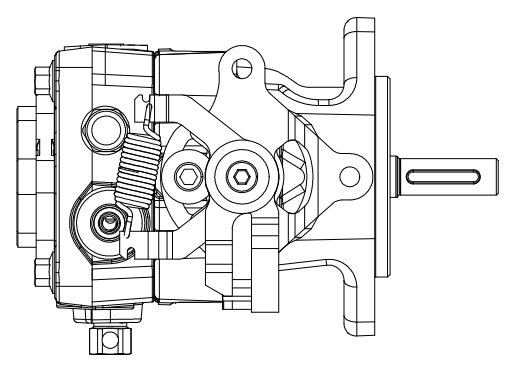
SHEET 1 OF 5



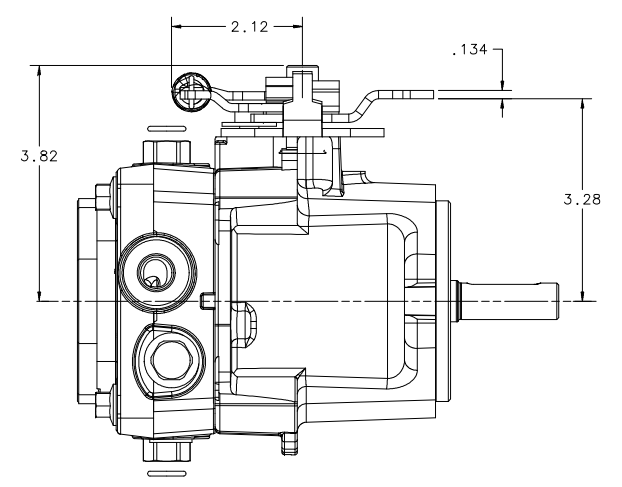
NOTICE - THIS DRAWING CONTAINS HYDRO-GEAR PROPRIETARY INFORMATION. NEITHER RECEIPT NOR POSSESSION THEREOF CONFERS ANY RIGHT TO REPRODUCE, USE, OR DISCLOSE, IN WHOLE OR PART, ANY SUCH INFORMATION WITHOUT WRITTEN AUTHORIZATION FROM HYDRO-GEAR. THE SPECIFICATIONS AND PRODUCT PROFILE DEPICTED HEREIN ARE APPROXIMATE REPRESENTATIONS SUBJECT TO CHANGE WITHOUT NOTICE OR OBLIGATION. CONSULT YOUR HYDRO-GEAR REPRESENTATIVE TO OBTAIN THE ENGINEERING INFORMATION APPROPRIATE TO YOUR APPLICATION.



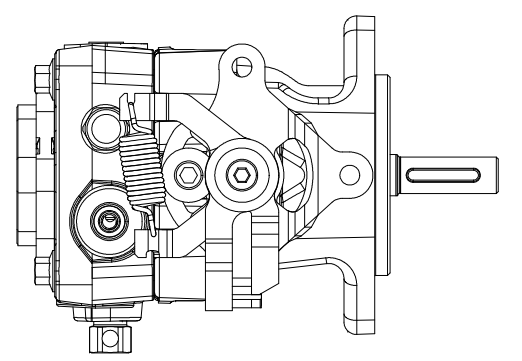
STD RETURN TO NEUTRAL



CCW RETURN TO NEUTRAL



SAME CONTROL ARM ORIENTATION SHOWN THROUGHOUT
 ALL: (OPTIONAL ORIENTATION) CONTROL ARM MAY BE ROTATED 180° WITH RESPECT TO TRUNNION SHAFT

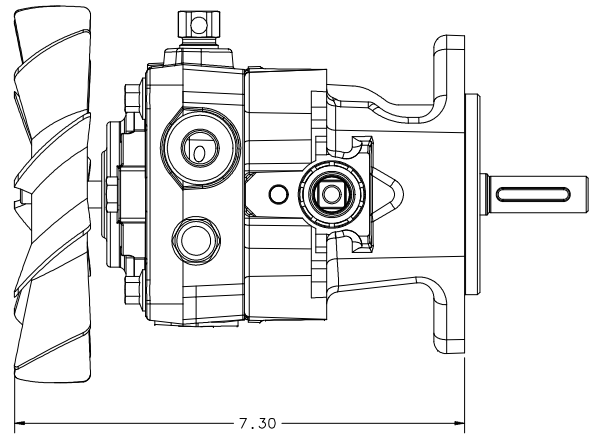


CW RETURN TO NEUTRAL

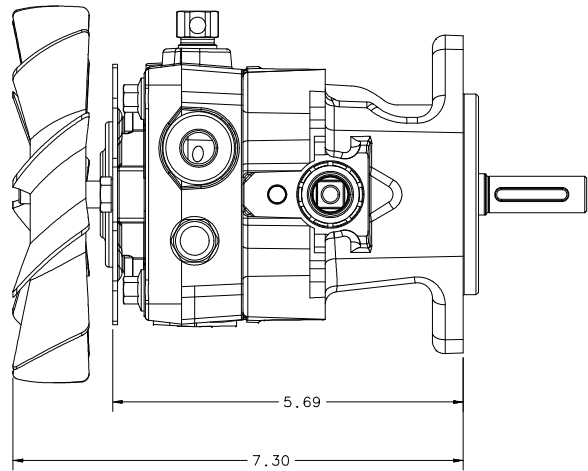


FRAME E	I-DEAS
DATE DRAWN	03/18/03
DRAWN BY	IMS
SCALE	FULL
REVISION DATE	01/25/12
PART NUMBER	70950

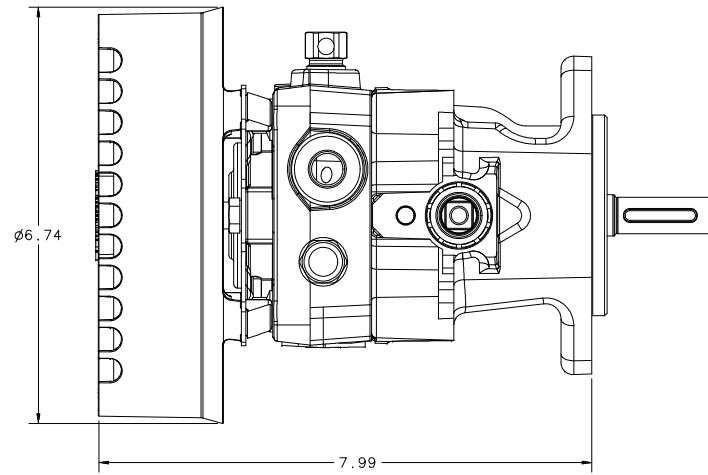
NOTICE - THIS DRAWING CONTAINS HYDRO-GEAR PROPRIETARY INFORMATION. NEITHER RECEIPT NOR POSSESSION THEREOF CONFERS ANY RIGHT TO REPRODUCE, USE, OR DISCLOSE, IN WHOLE OR PART, ANY SUCH INFORMATION WITHOUT WRITTEN AUTHORIZATION FROM HYDRO-GEAR. THE SPECIFICATIONS AND PRODUCT PROFILE DEPICTED HEREIN ARE APPROXIMATE REPRESENTATIONS SUBJECT TO CHANGE WITHOUT NOTICE OR OBLIGATION. CONSULT YOUR HYDRO-GEAR REPRESENTATIVE TO OBTAIN THE ENGINEERING INFORMATION APPROPRIATE TO YOUR APPLICATION.



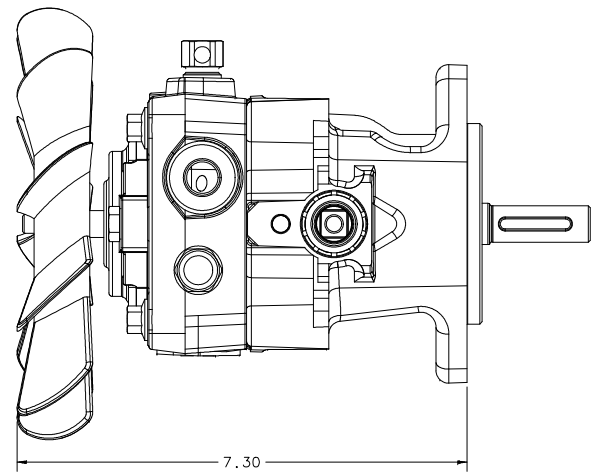
THRU CHARGE WITH $\phi 6"$ FAN
(52014, CCW INPUT)



THRU CHARGE WITH $\phi 6"$ FAN
(52014, CCW INPUT, WITH BRKT)



THRU CHARGE WITH $\phi 6"$ FAN
(52014, CCW INPUT, WITH BRKT & SHROUD)



THRU CHARGE WITH $\phi 7"$ FAN (STD)
(51691, CCW INPUT, 70811 KIT)



THRU CHARGE WITH $\phi 7"$ FAN (STD)
(51601, CW INPUT, 70793 KIT)

SHEET 4 OF 5



FRAME E	I-DEAS
DATE DRAWN	03/18/03
DRAWN BY	IMS
SCALE	FULL
REVISION DATE	01/25/12
PART NUMBER	70950

MODEL NUMBER CONFIGURATION GUIDE: 70964.XLS

NAME PG PUMP - VARIABLE DISPLACEMENT SALES DWG

19

