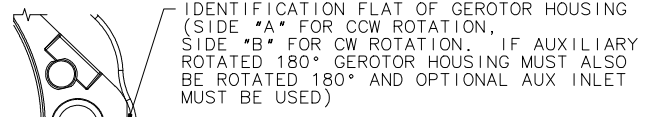
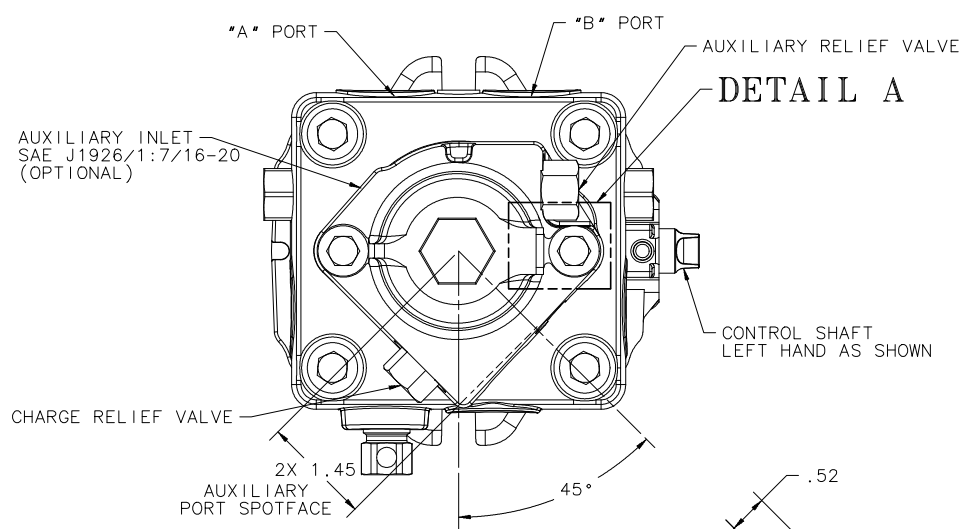
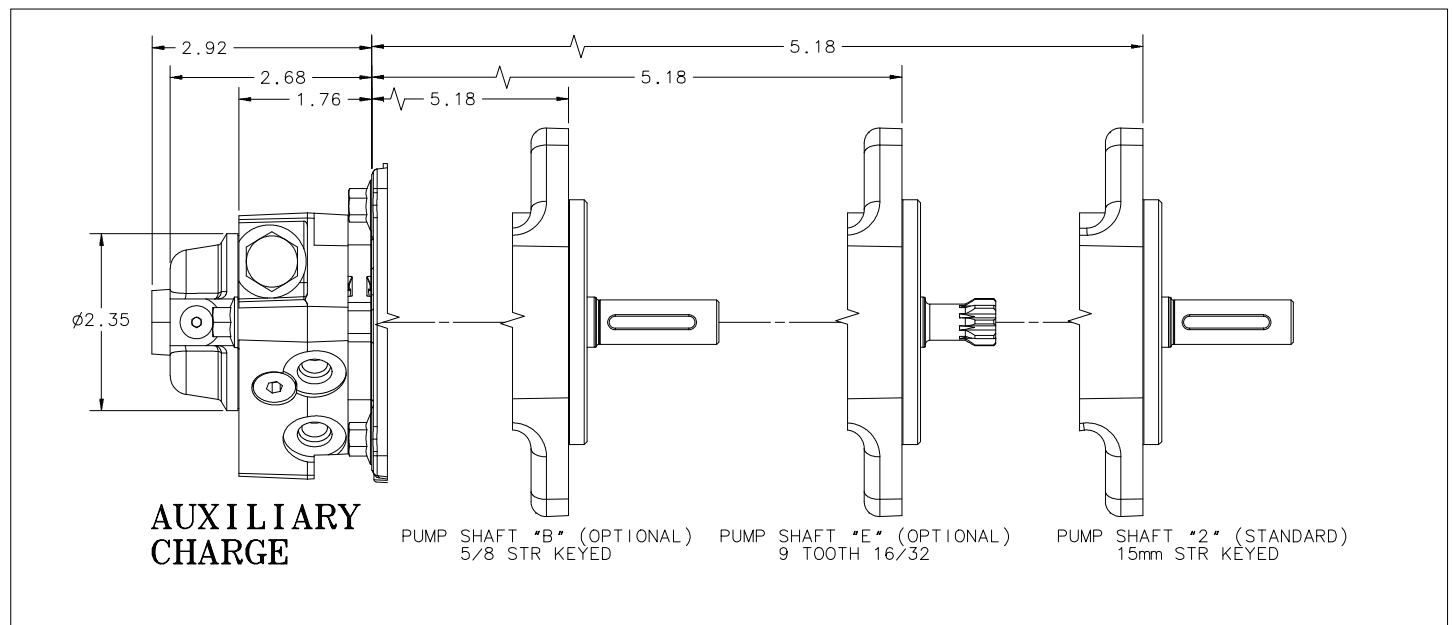
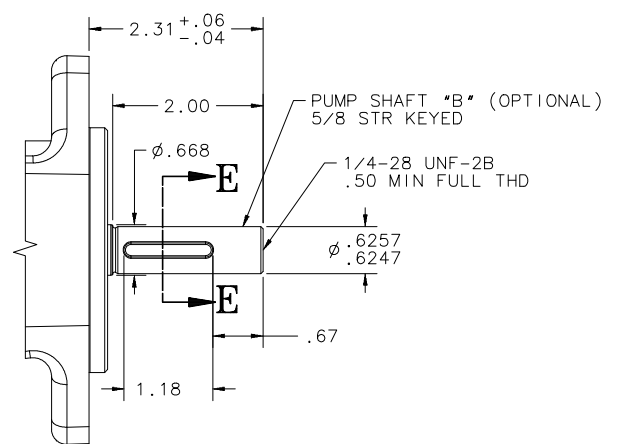
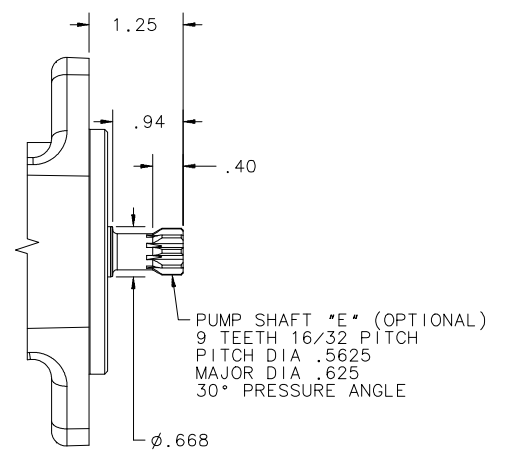
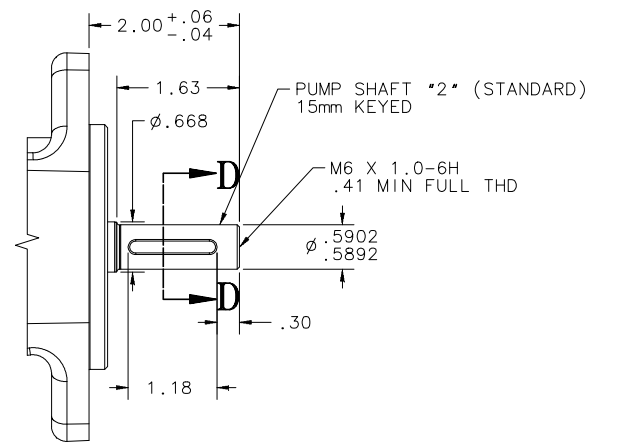
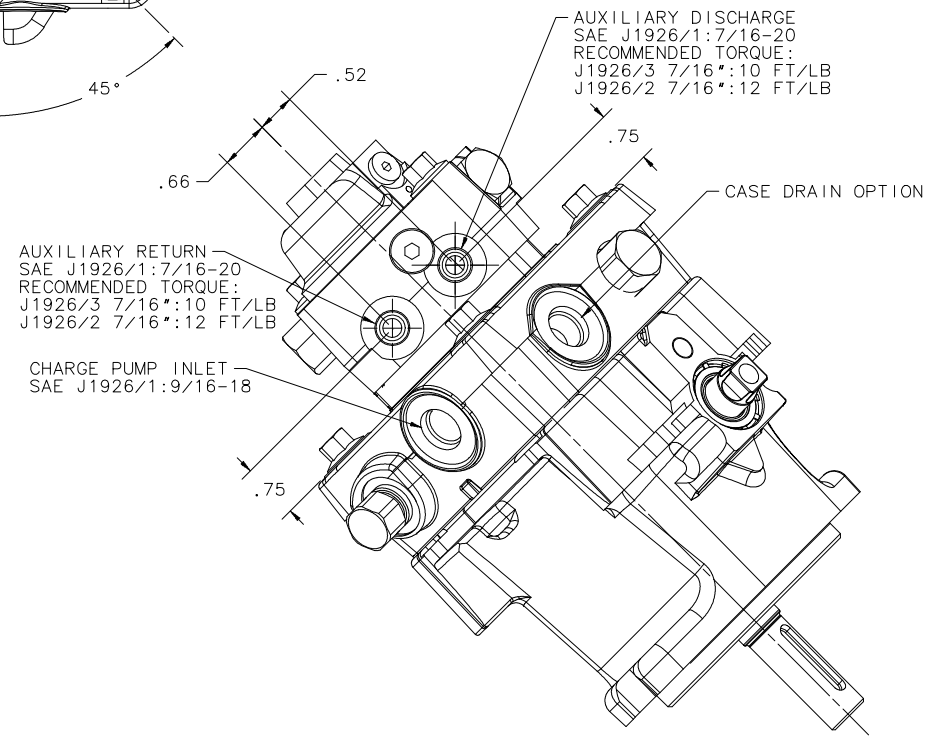


NOTICE - THIS DRAWING CONTAINS HYDRO-GEAR PROPRIETARY INFORMATION. NEITHER RECEIPT NOR POSSESSION THEREOF CONFERS ANY RIGHT TO REPRODUCE, USE, OR DISCLOSE, IN WHOLE OR PART, ANY SUCH INFORMATION WITHOUT WRITTEN AUTHORIZATION FROM HYDRO-GEAR. THE SPECIFICATIONS AND PRODUCT PROFILE DEPICTED HEREIN ARE APPROXIMATE REPRESENTATIONS SUBJECT TO CHANGE WITHOUT NOTICE OR OBLIGATION. CONSULT YOUR HYDRO-GEAR REPRESENTATIVE TO OBTAIN THE ENGINEERING INFORMATION APPROPRIATE TO YOUR APPLICATION.

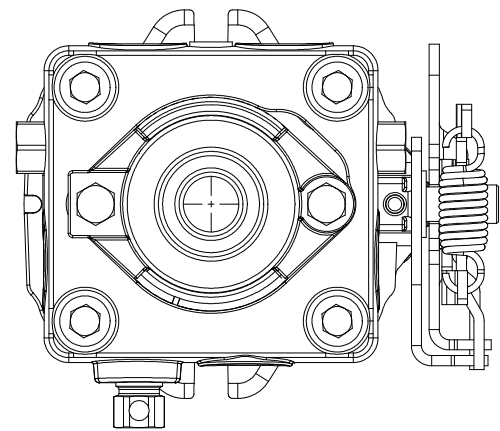


DETAIL A
 SCALE 2:1

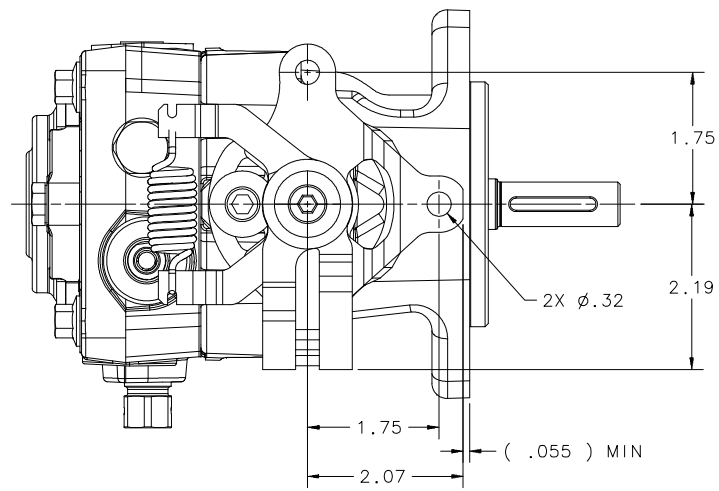
AUXILIARY CHARGE



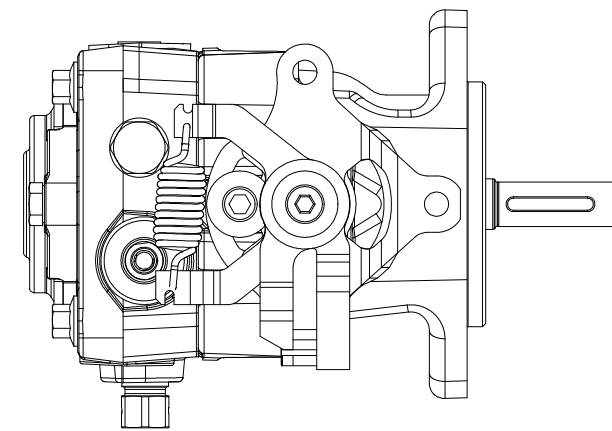
HYDRO-GEAR		FRAME F	I-DEAS
1411 S. HAMILTON ST., SULLIVAN, IL 61951 PHONE (217) 728-2581		DATE DRAWN	03/05/09
NAME PK_12cc PUMP-VARIABLE DISPLACEMENT SALES DRAWING		DRAWN BY	NB
PART NUMBER 72007		SCALE	FULL
		REVISION DATE	01/25/12
		CHK	(P)



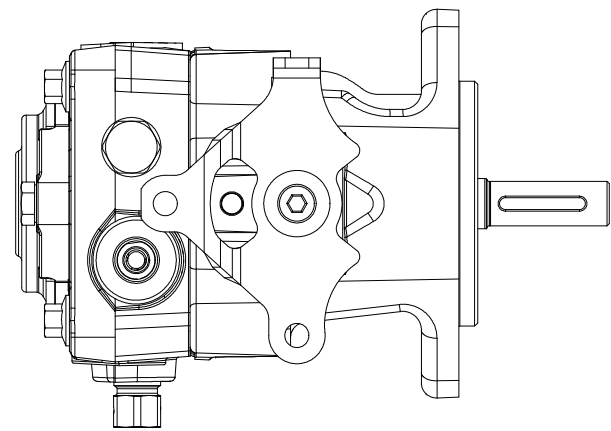
STANDARD RETURN TO NEUTRAL



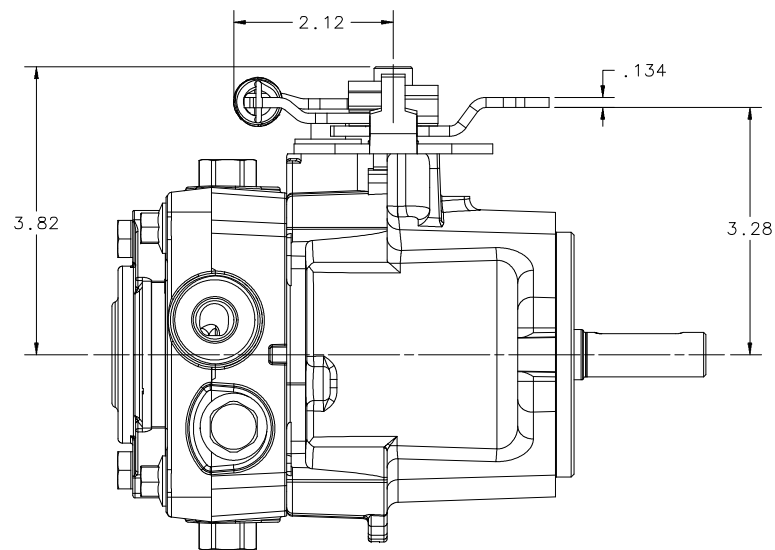
STANDARD RETURN TO NEUTRAL



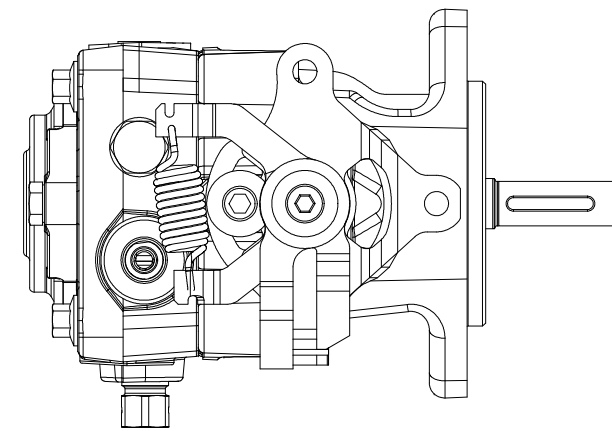
CCW RETURN TO NEUTRAL



CONTROL ARM ONLY



STANDARD RETURN TO NEUTRAL

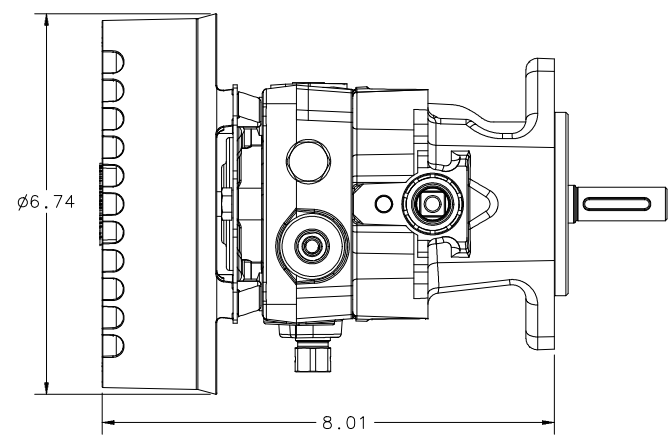


CW RETURN TO NEUTRAL

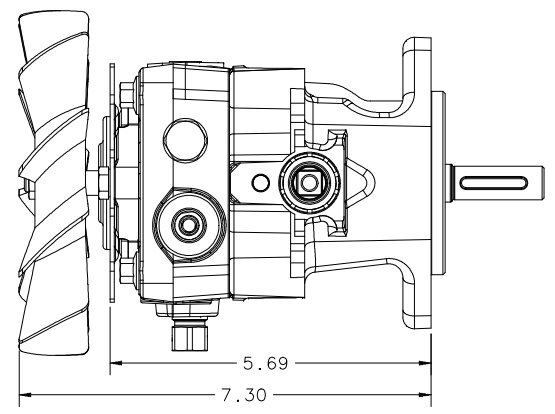
SAME CONTROL ARM ORIENTATION SHOWN THROUGHOUT

ALL: (OPTIONAL ORIENTATION) CONTROL ARM MAY BE ROTATED 180° WITH RESPECT TO TRUNNION SHAFT

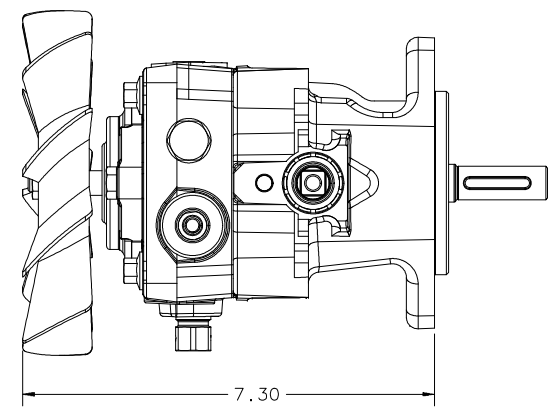
HYDRO-GEAR		FRAME F	I-DEAS
1411 S. HAMILTON ST., SULLIVAN, IL 61951 PHONE (217) 728-2581		DATE DRAWN	03/05/09
NAME PK, 12cc PUMP-VARIABLE DISPLACEMENT SALES DRAWING		DRAWN BY	NB
PART NUMBER 72007		SCALE	FULL
		REVISION DATE	01/25/12
		CHG	(P)



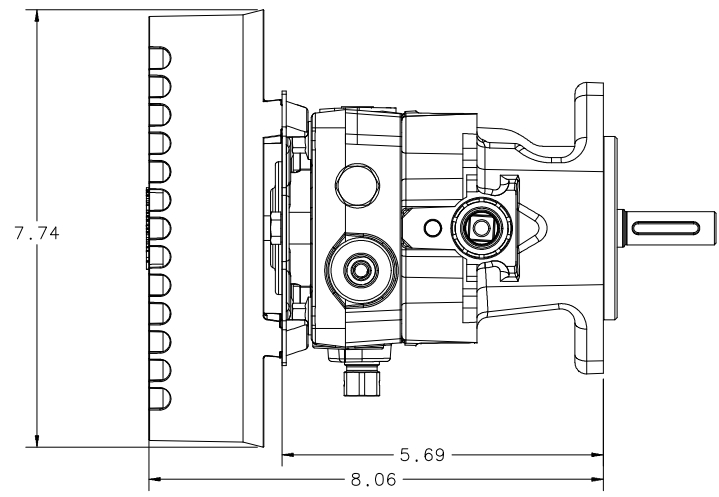
THRU CHARGE WITH $\phi 6"$ FAN
(52014, CCW INPUT)
WITH BRACKET & SHROUD



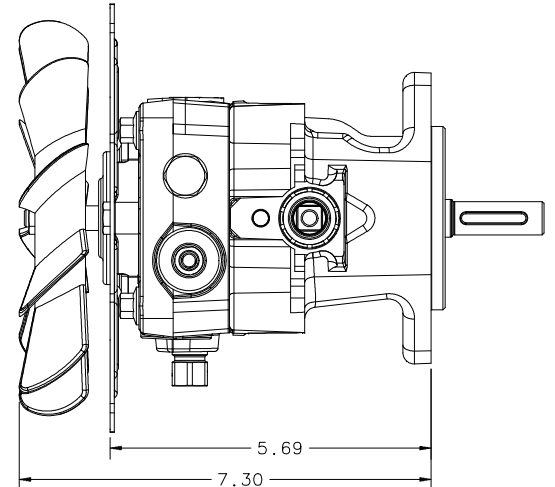
THRU CHARGE WITH $\phi 6"$ FAN
(52014, CCW INPUT)
WITH SHROUD BRACKET



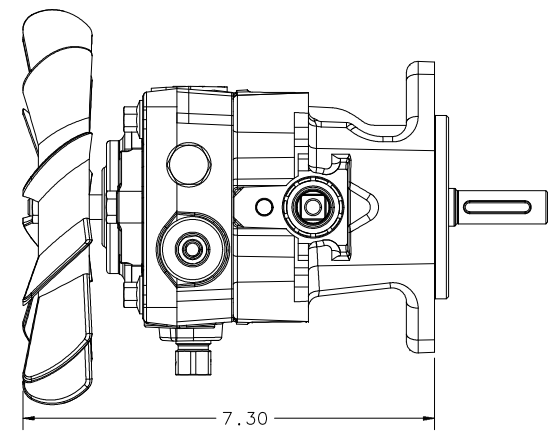
THRU CHARGE WITH $\phi 6"$ FAN
(52014, CCW INPUT)



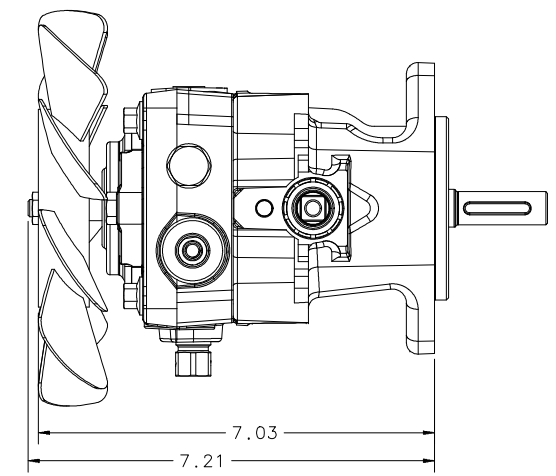
THRU CHARGE WITH $\phi 7"$ FAN
(51691, CCW INPUT)
WITH BRACKET & SHROUD



THRU CHARGE WITH $\phi 7"$ FAN
(51691, CCW INPUT W/ BRACKET)



THRU CHARGE WITH $\phi 7"$ FAN
(51691, CCW INPUT)



THRU CHARGE WITH $\phi 7"$ FAN
(51601, CW INPUT)

MODEL NUMBER CONFIGURATION GUIDE 72004.XLS

SHEET 5 OF 6

FRAME F	I-DEAS
DATE DRAWN	03/05/09
DRAWN BY	NB
SCALE	FULL
REVISION DATE	01/25/12
NAME PK, 12cc PUMP-VARIABLE DISPLACEMENT SALES DRAWING	PART NUMBER 72007

CHG (P)

