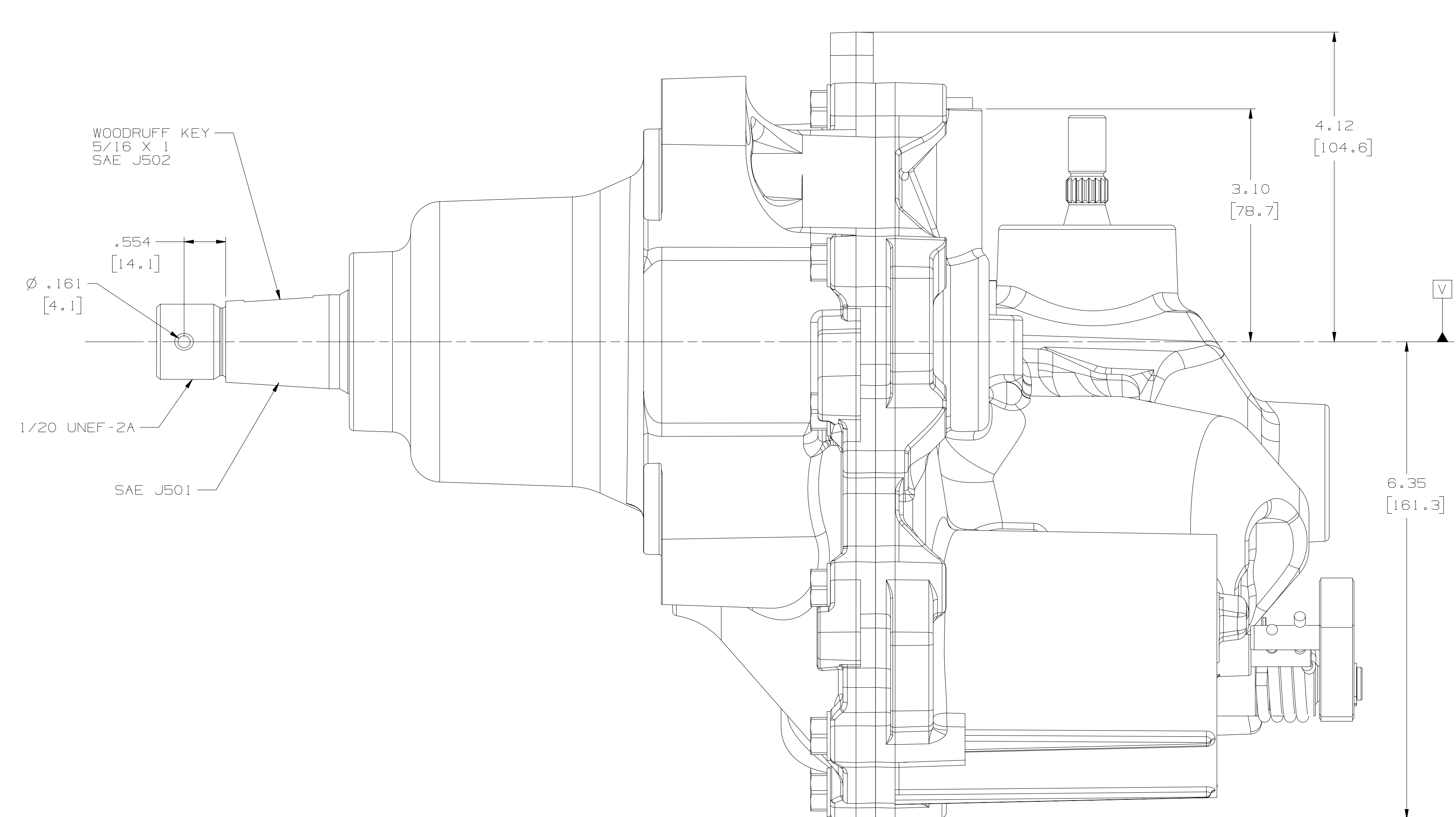
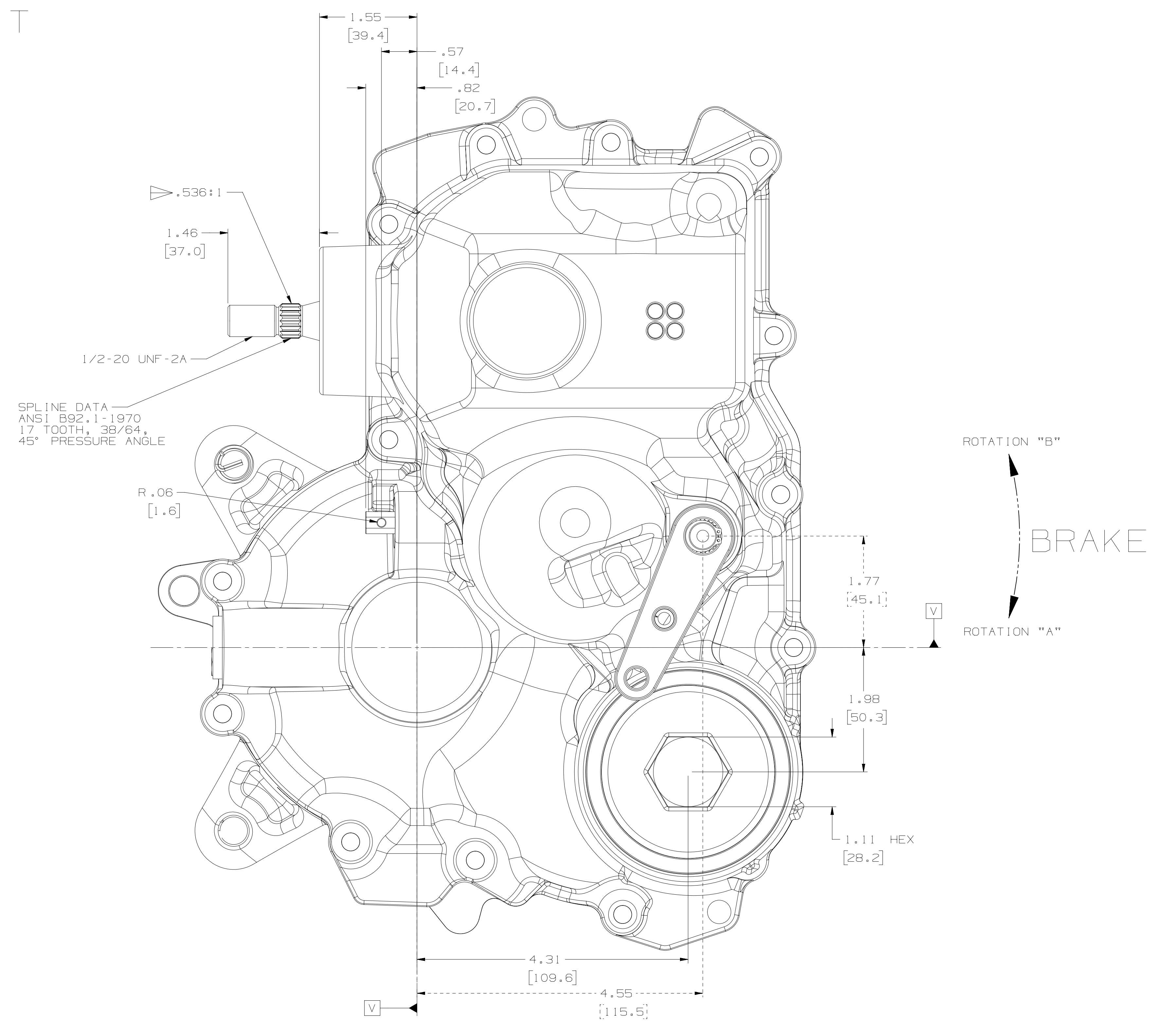
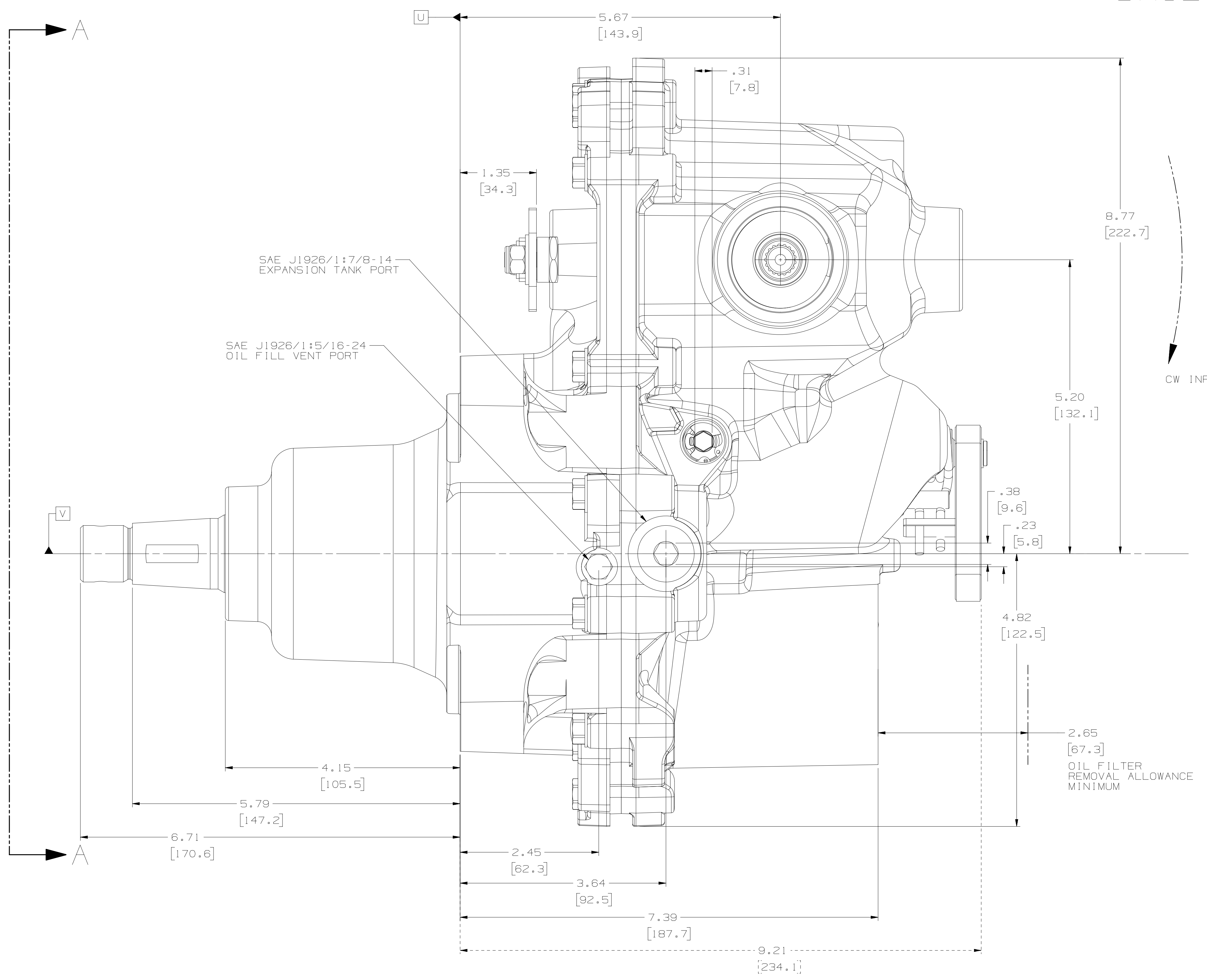
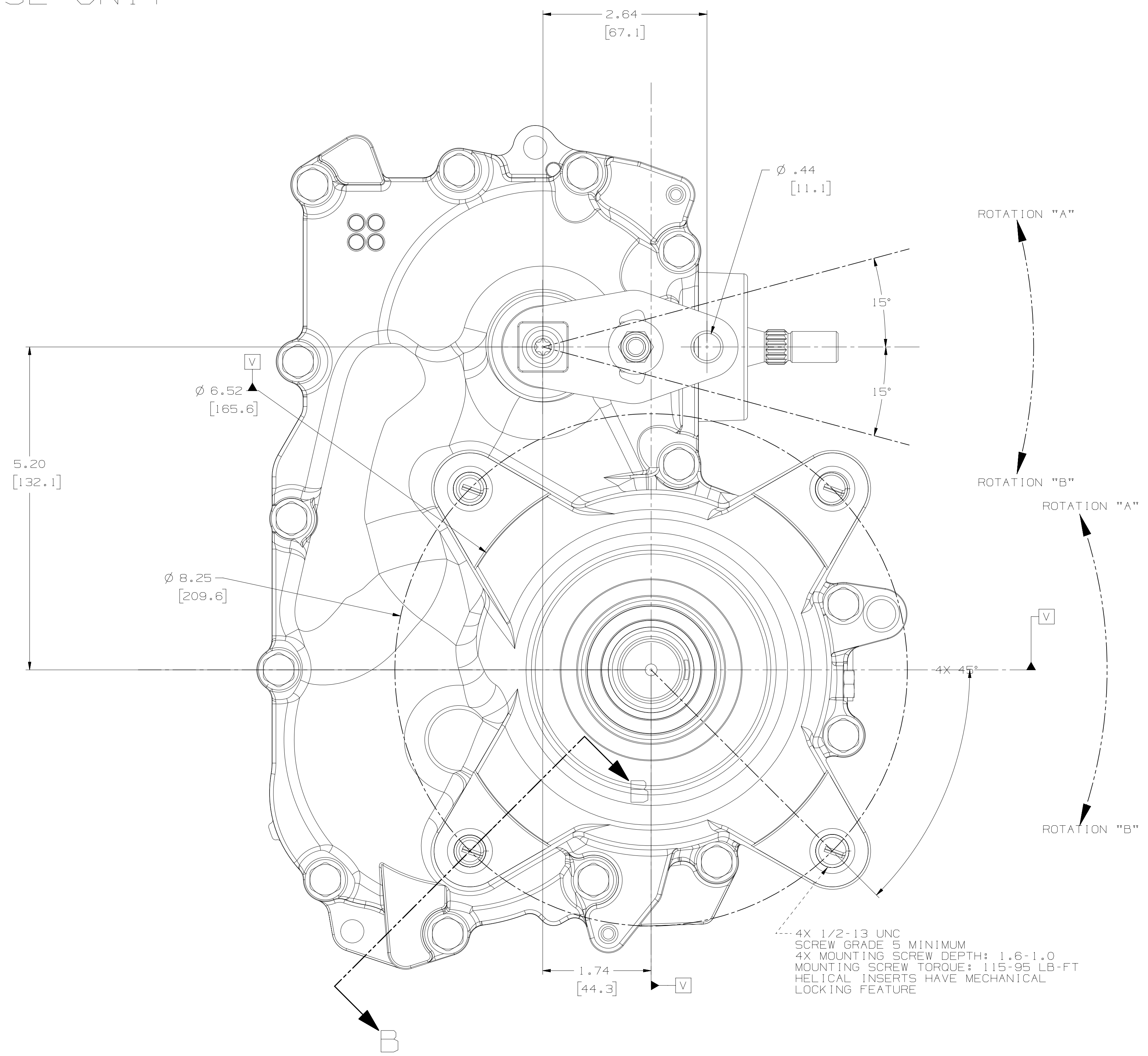
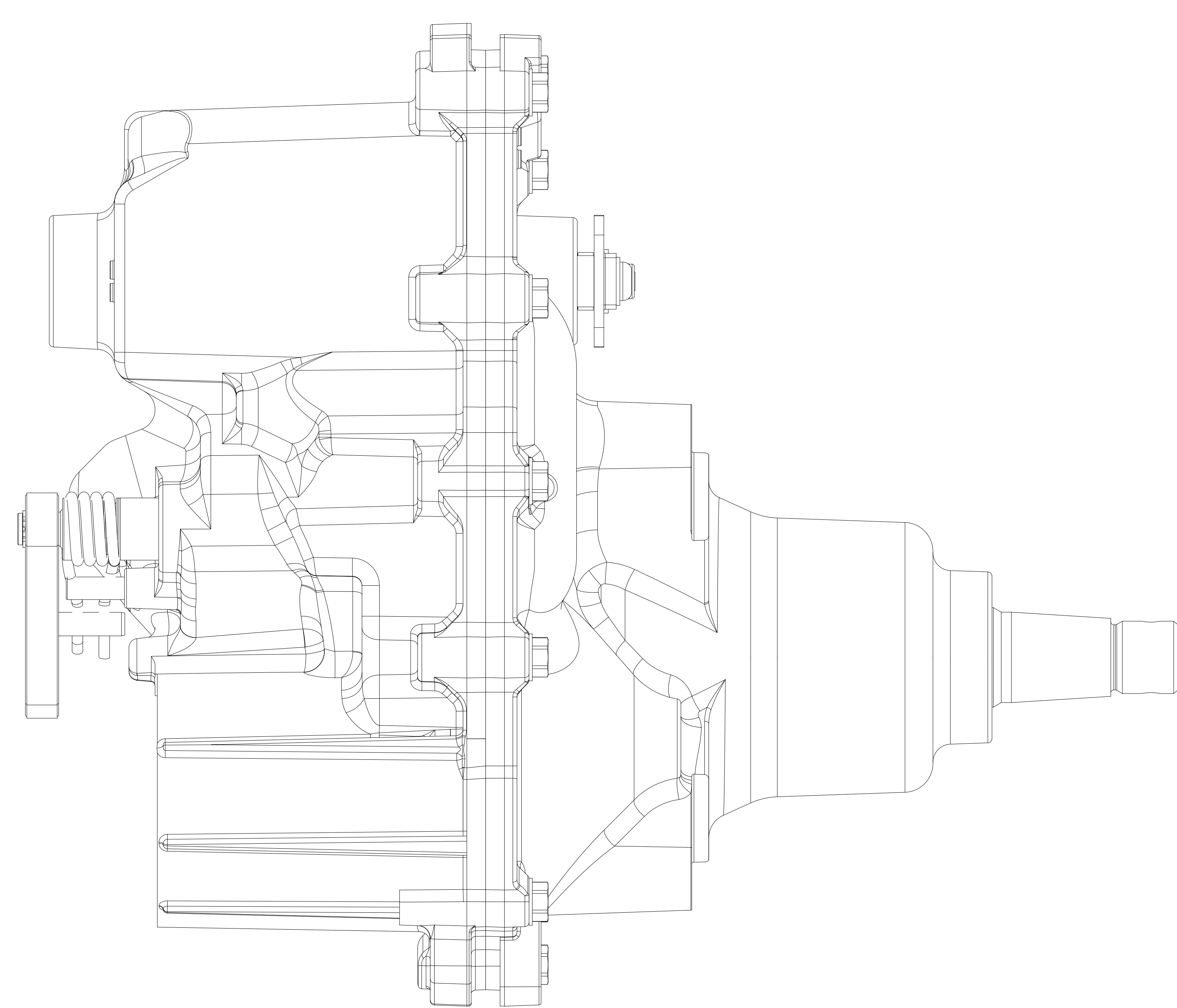


BASE UNIT

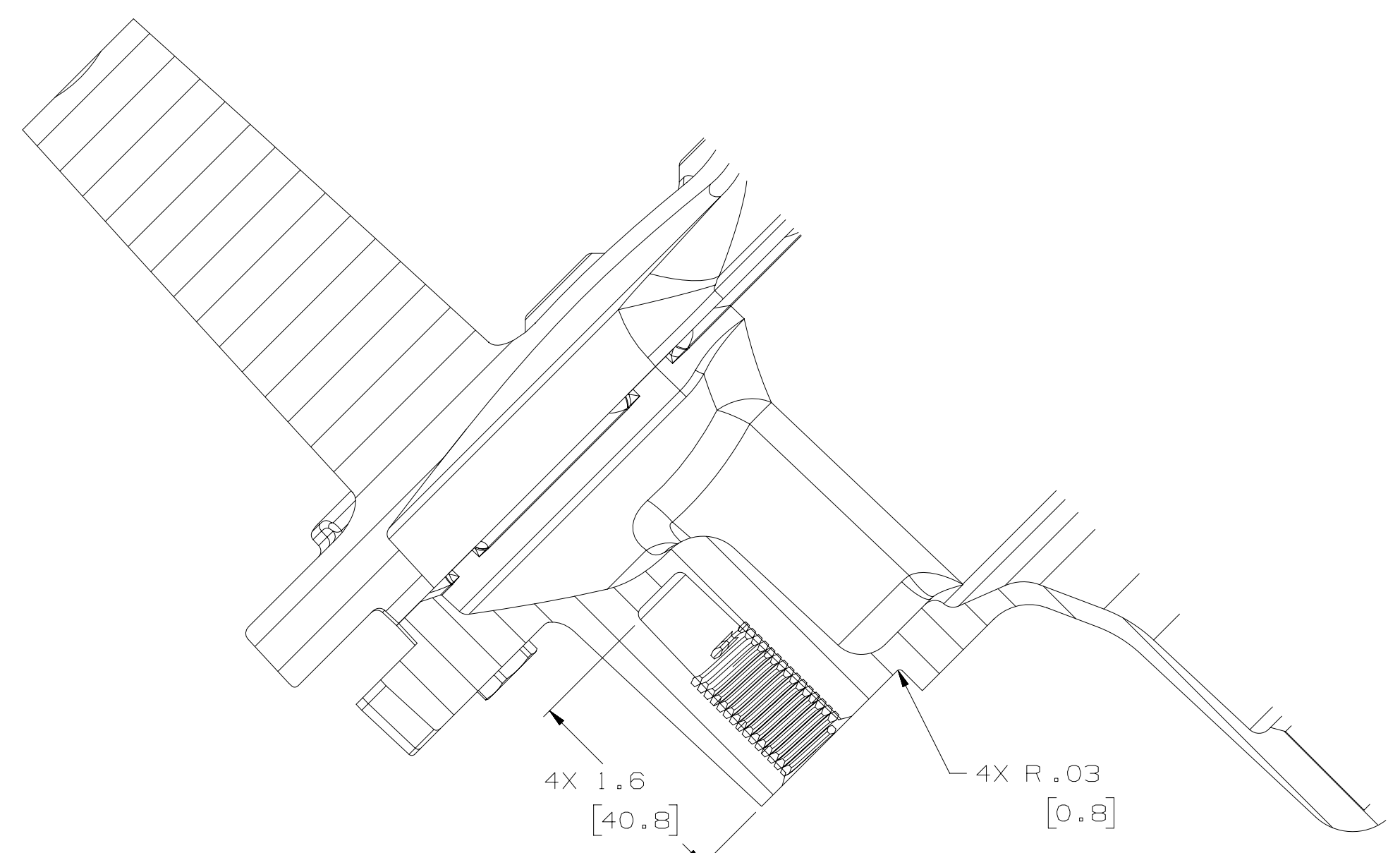


NOTE :
LEFT HAND UNIT SHOWN,
RIGHT HAND UNIT IS MIRROR IMAGE

BASE UNIT

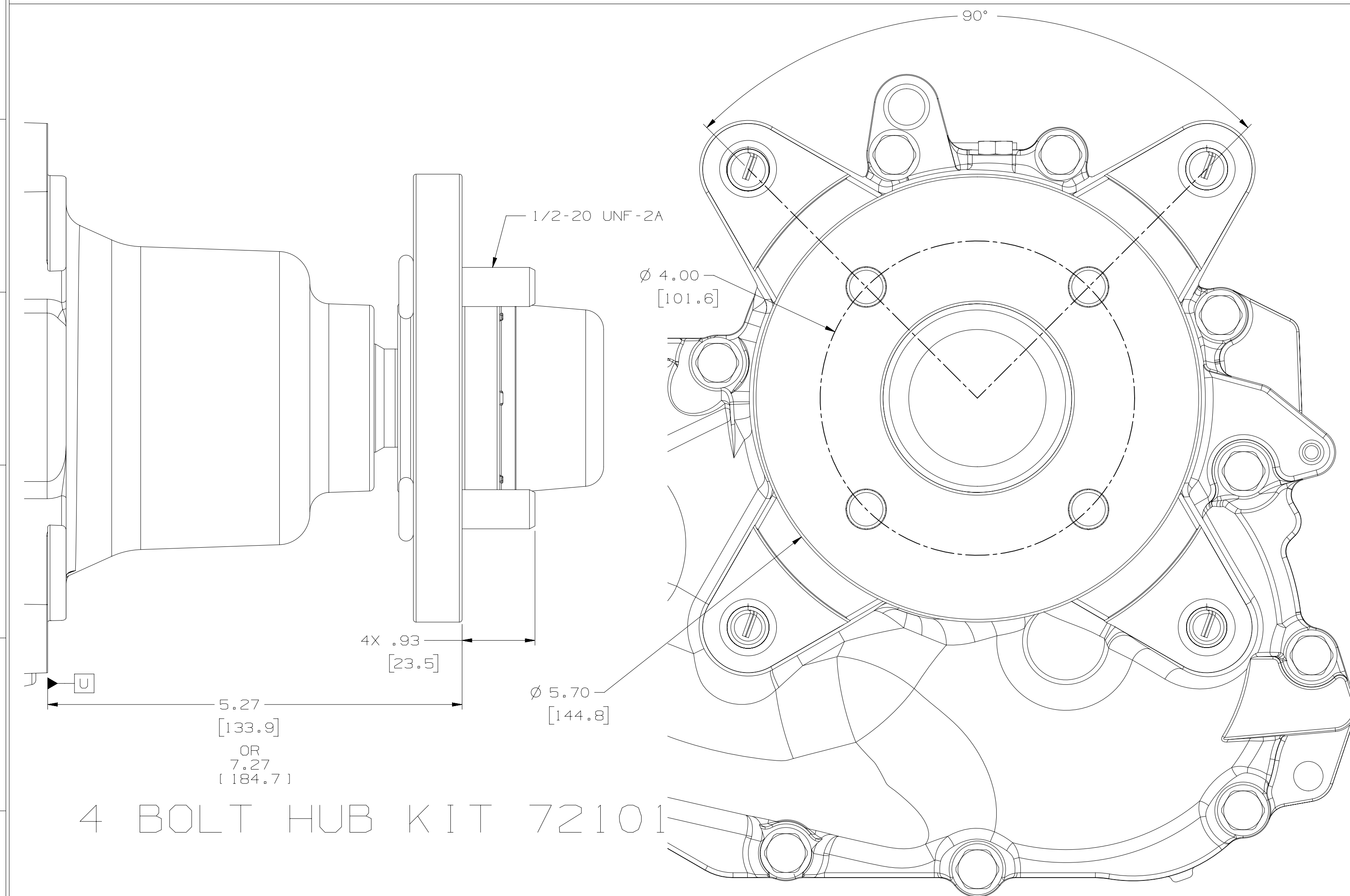


VIEW A-A
SCALE 1:1

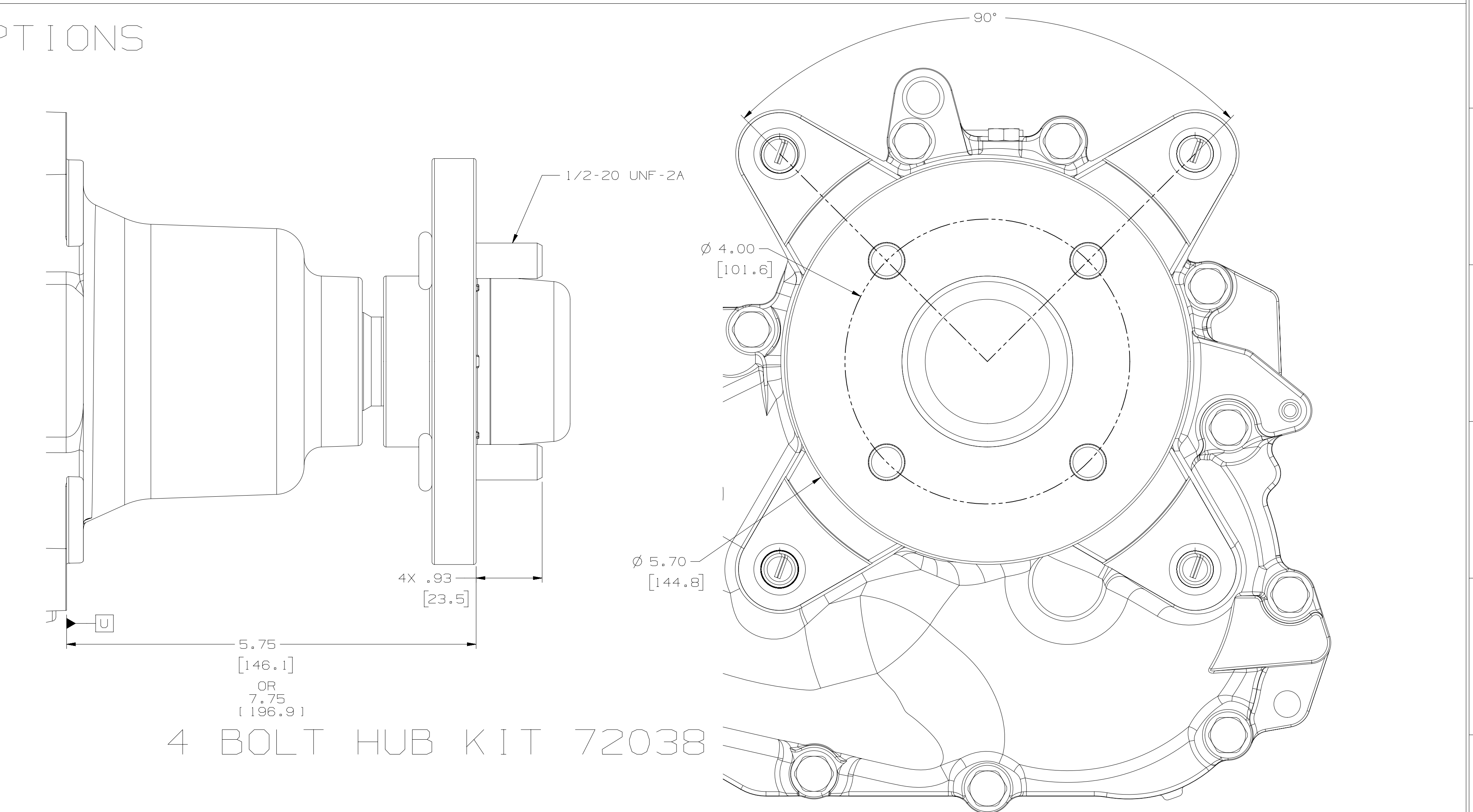


SECTION B-B
SCALE 1:1

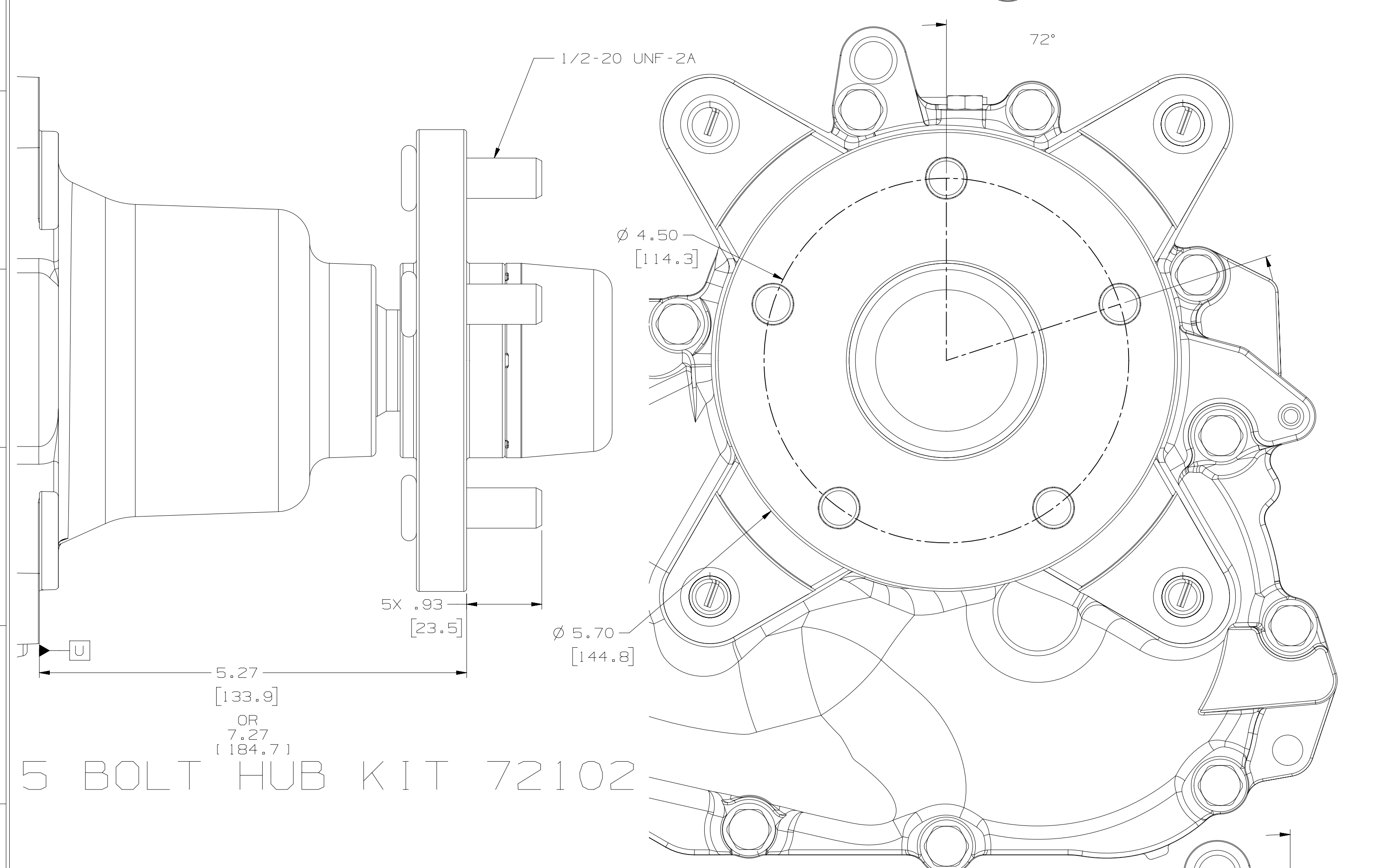
AXLE/HUB OPTIONS



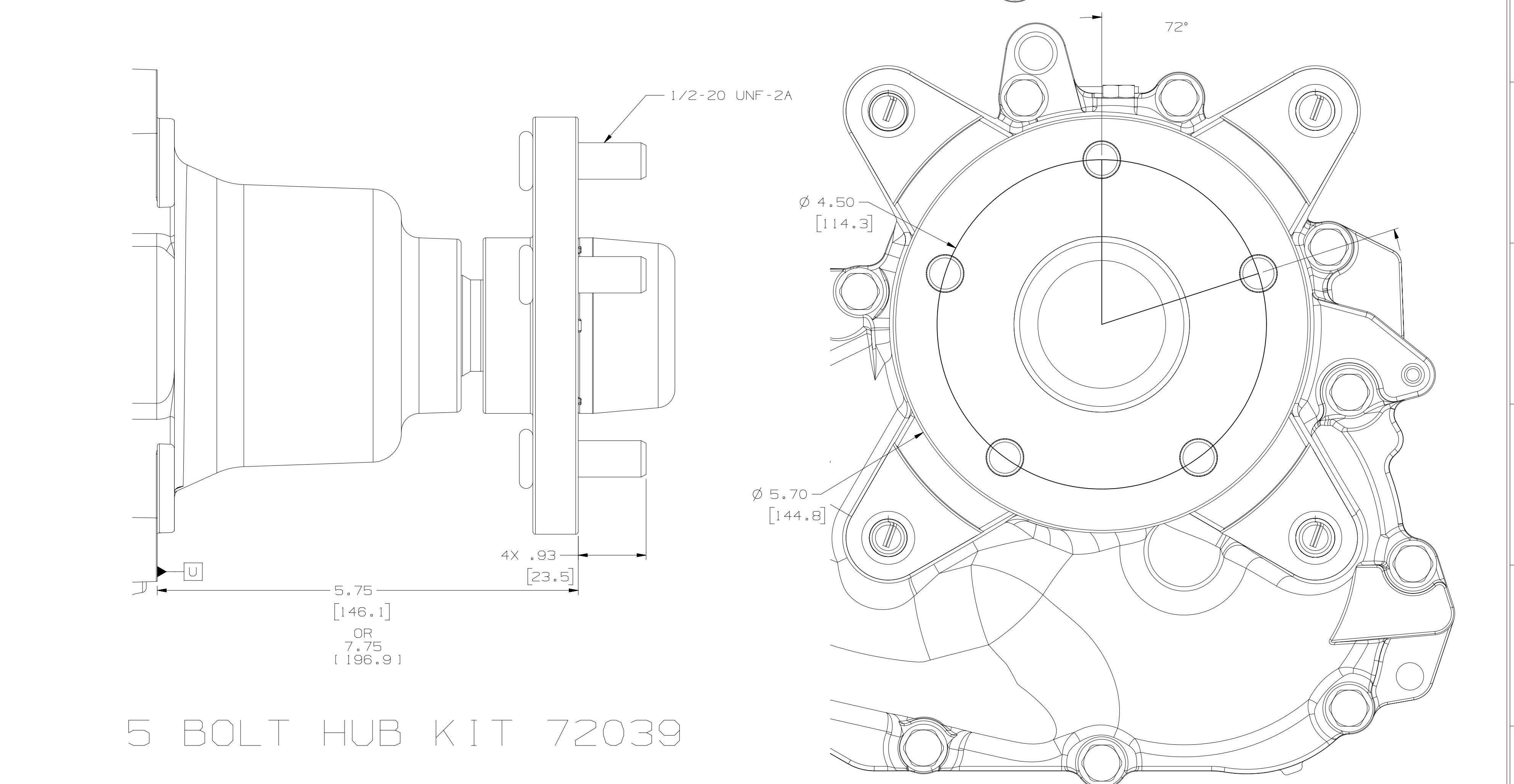
4 BOLT HUB KIT 72101



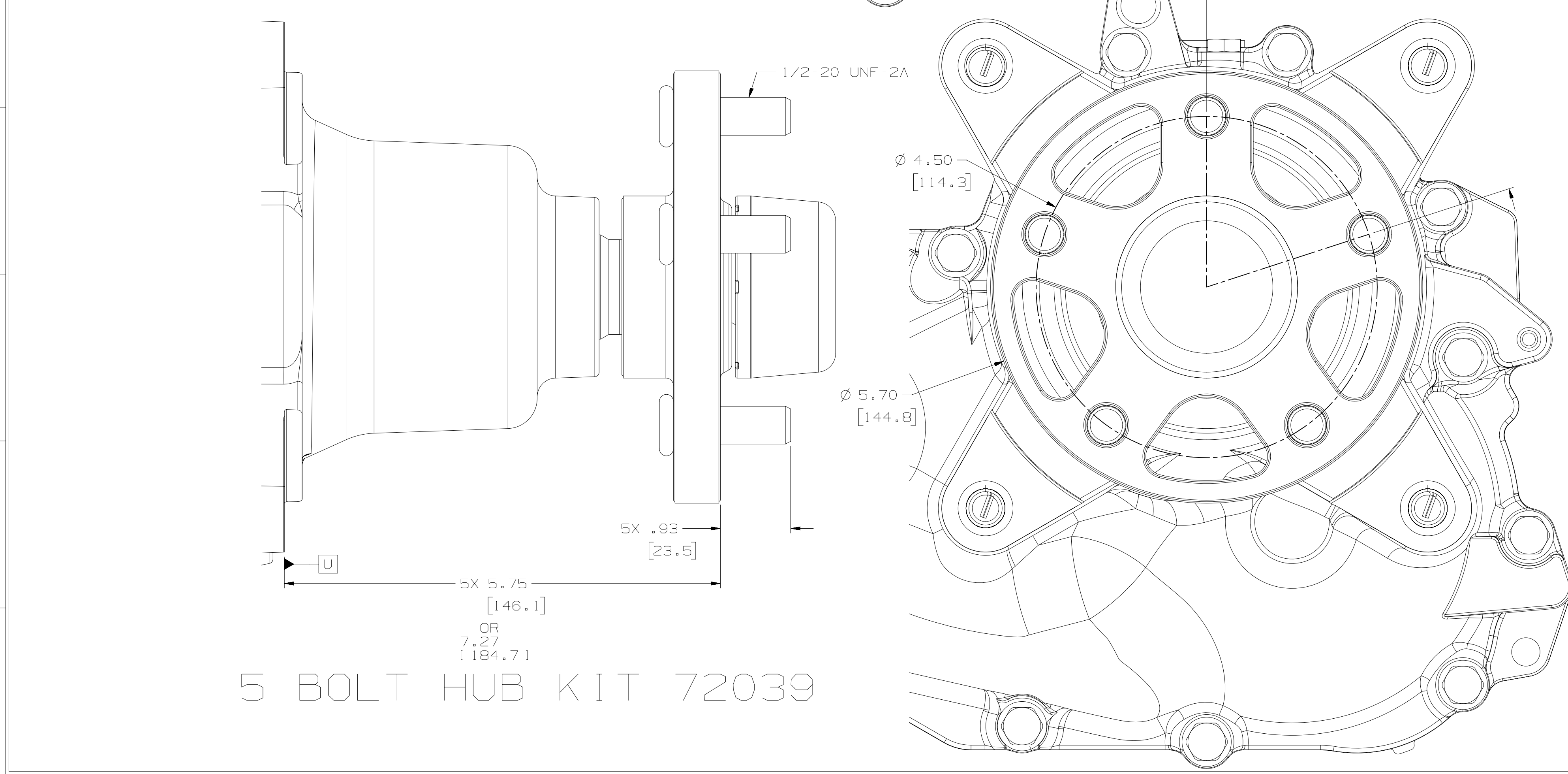
4 BOLT HUB KIT 72038



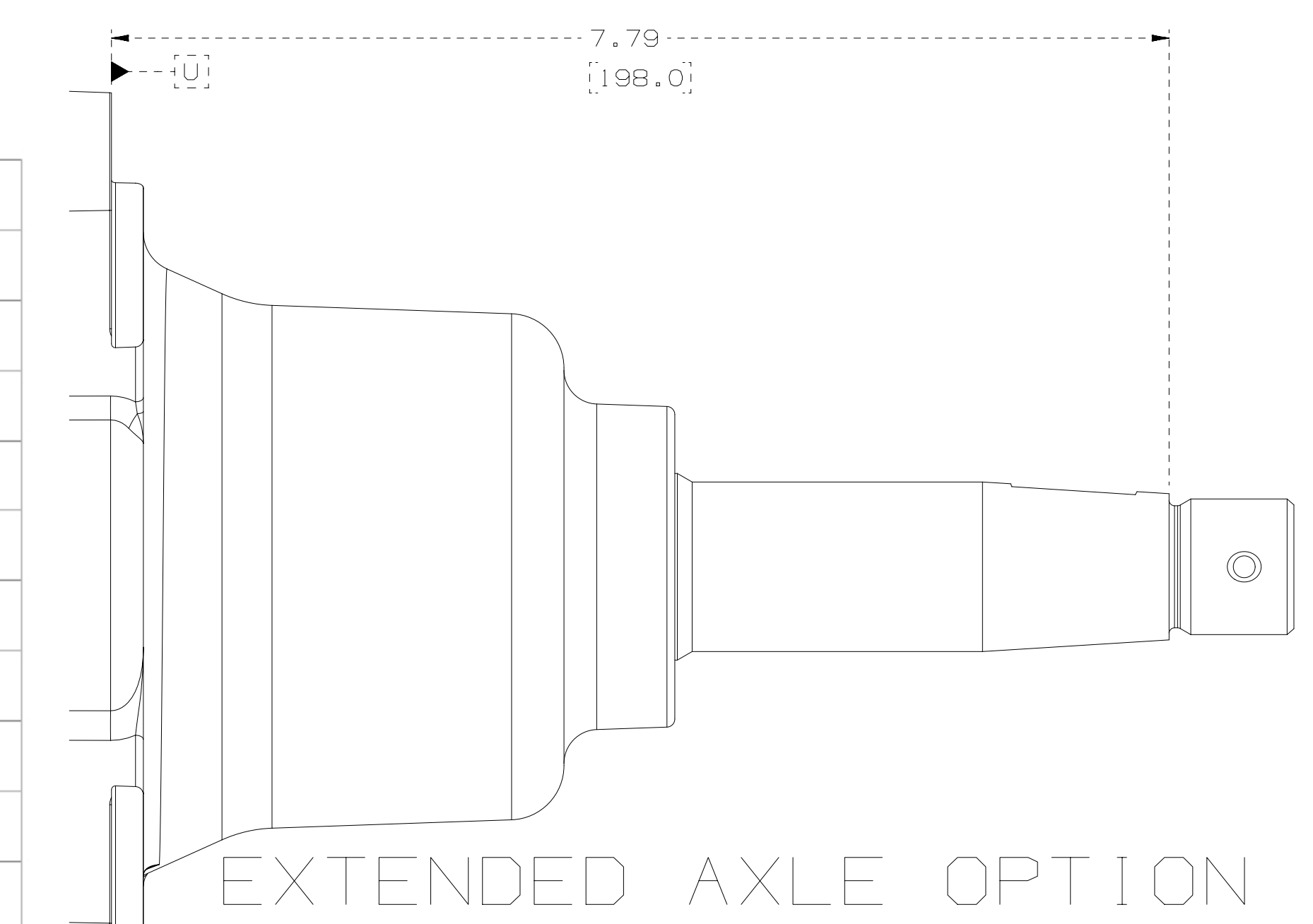
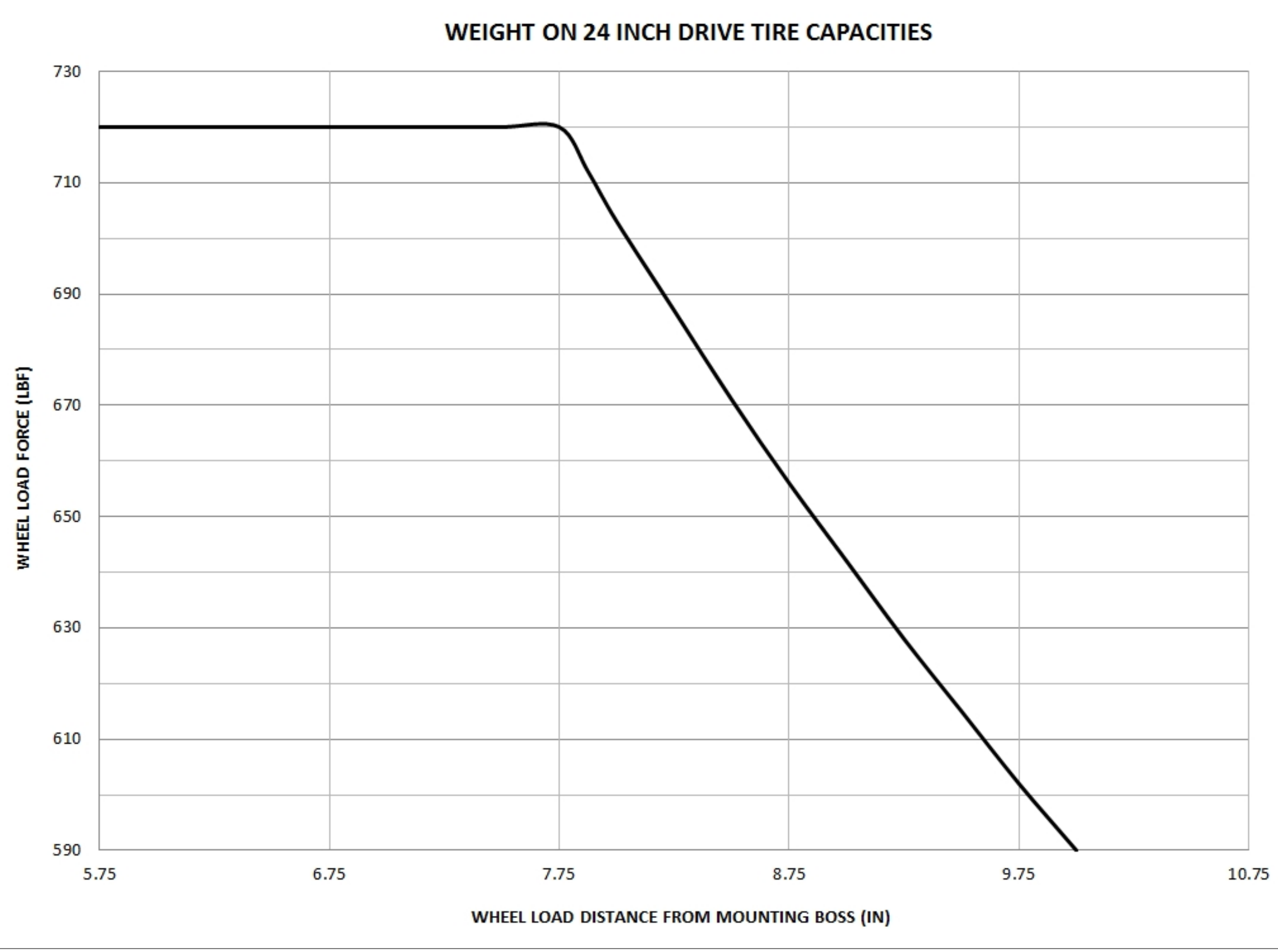
5 BOLT HUB KIT 72102



5 BOLT HUB KIT 72039

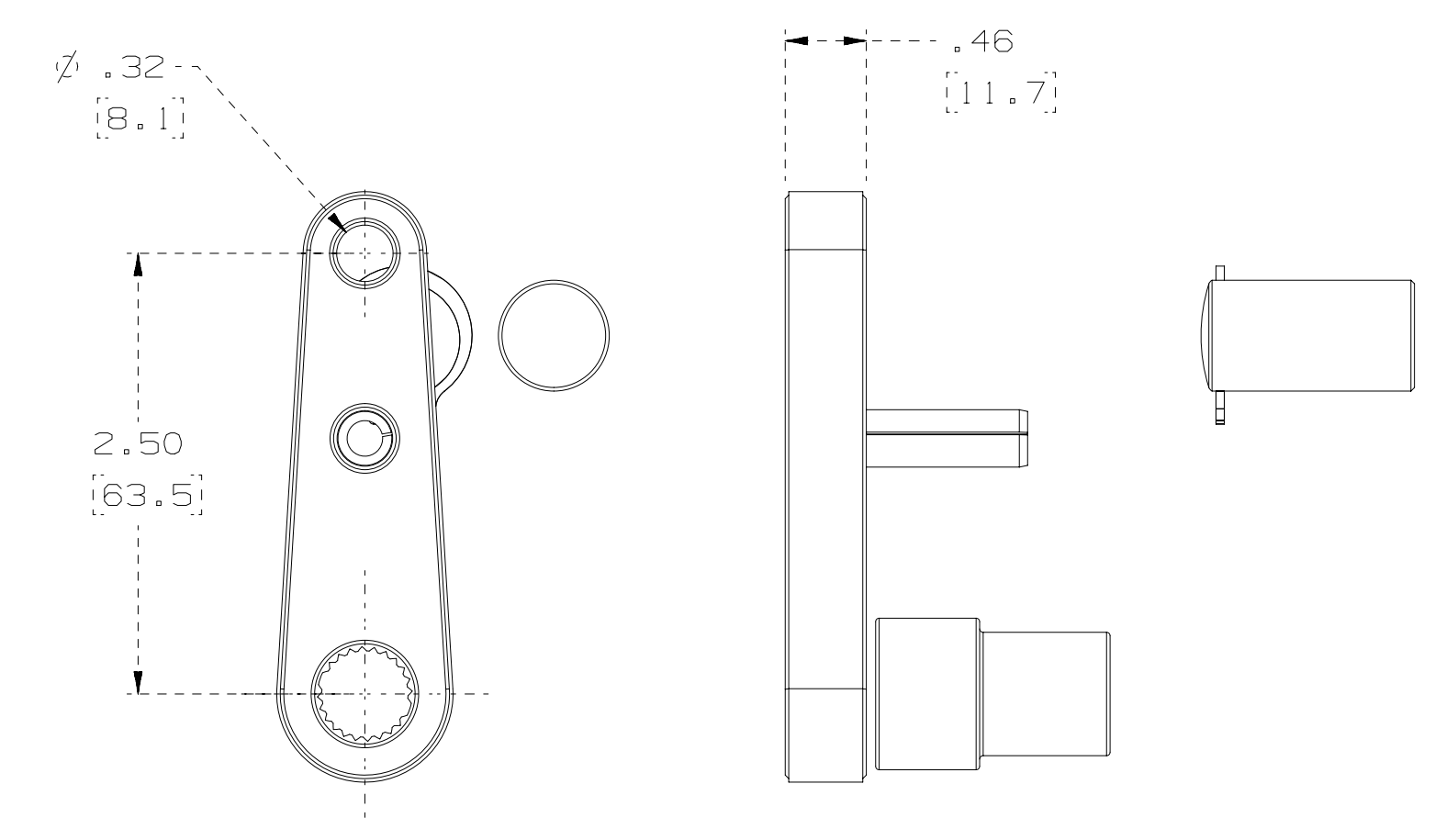


5 BOLT HUB KIT 72039

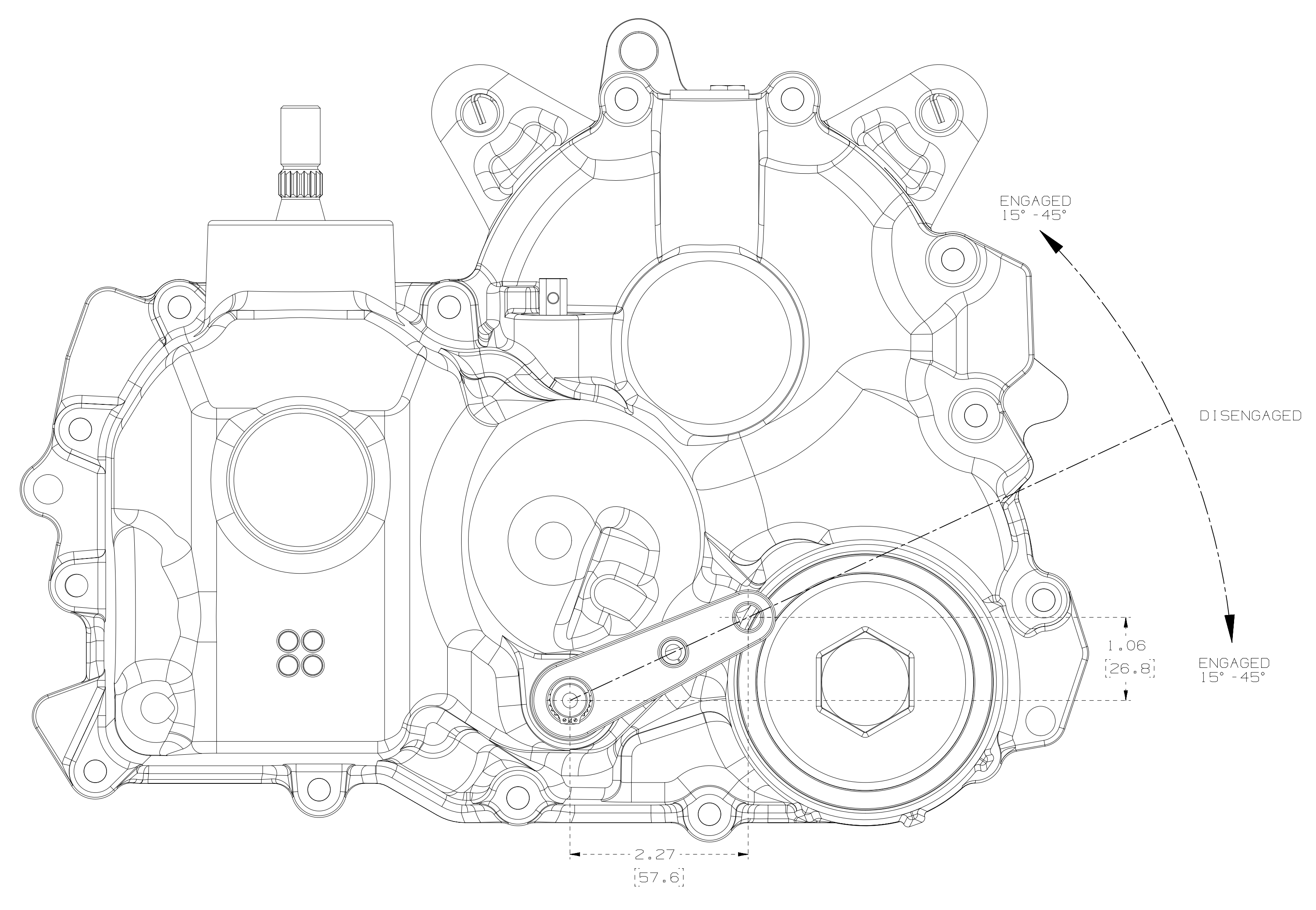
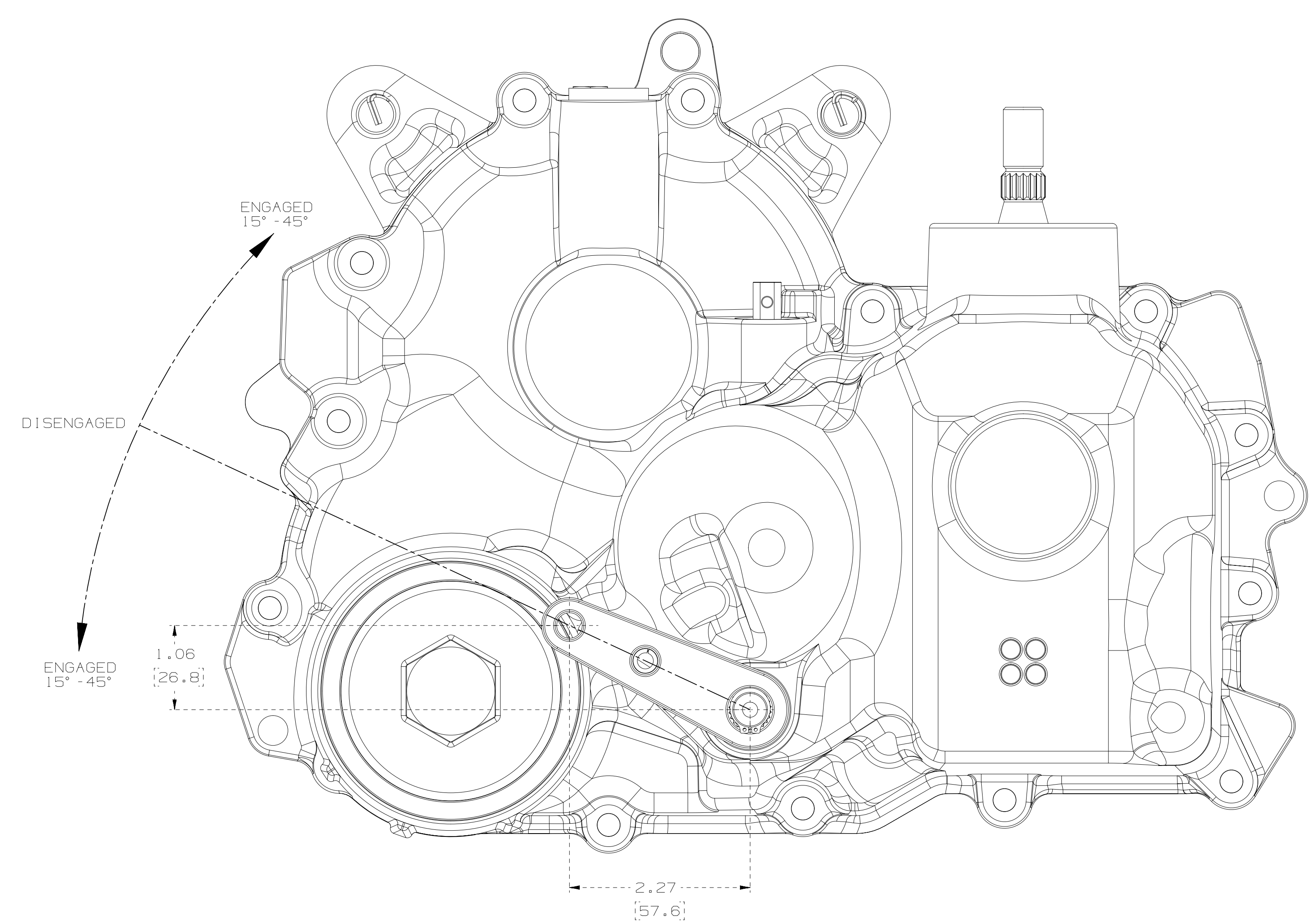


EXTENDED AXLE OPTION

BRAKE OPTIONS

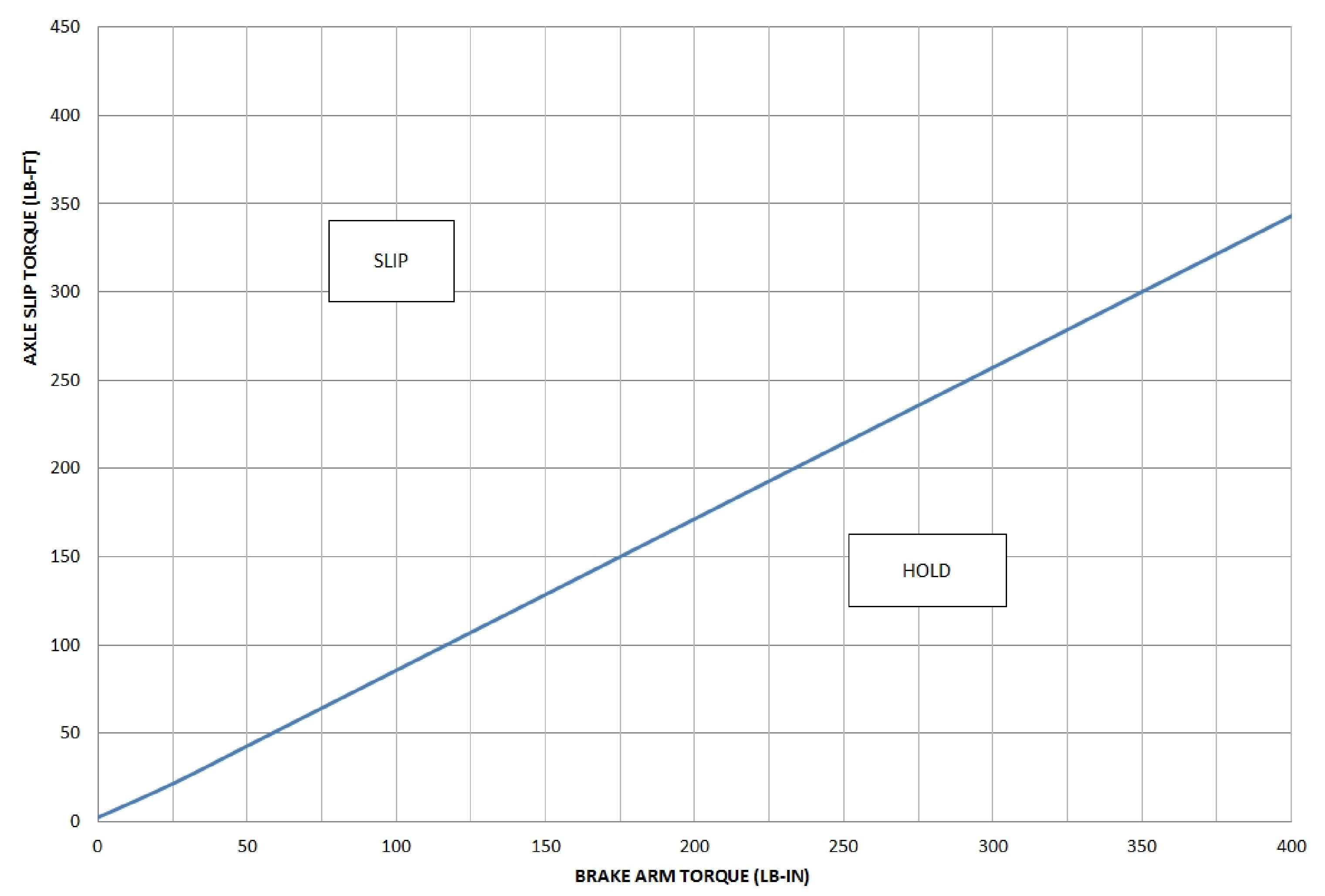


BRAKE ARM X54080-AE

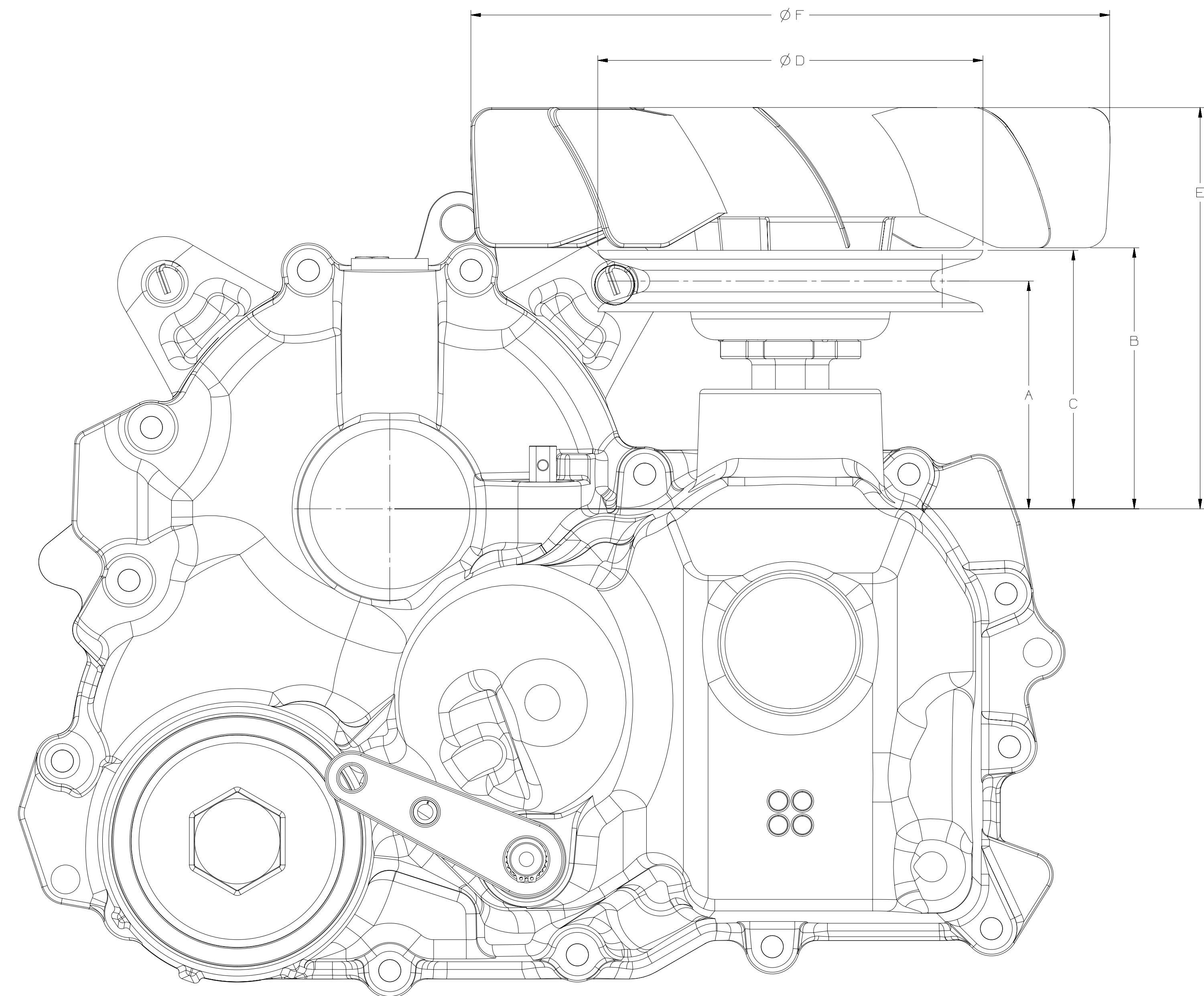


POSITION SHOWN IS WITH THE BRAKE DISENGAGED

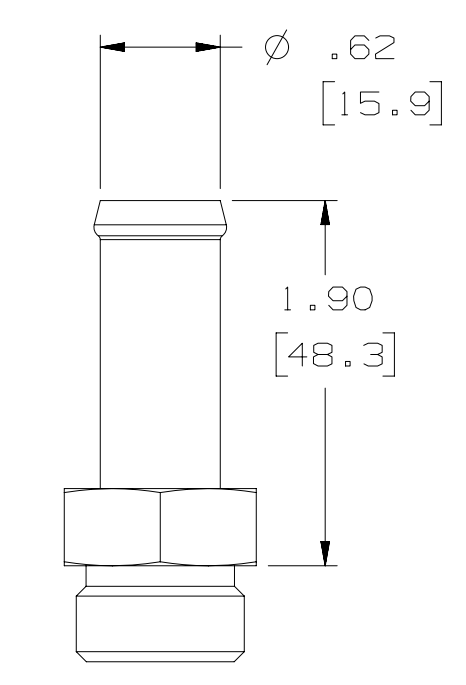
BRAKE HOLDING MINIMUM TORQUE



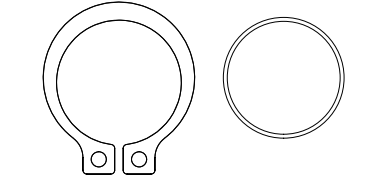
FAN/PULLEY OPTIONS



*EXPANSION TANK REQUIRED
MIN 100OIL



EXPANSION TANK HOSE FITTING 53037
AFTER EXPANSION TANK IS ATTACHED, THE OIL LEVEL MUST BE INCREASED TO MINIMUM LEVELS



FAN/PULLEY KIT	A	B	C	D	E	F
54230 DOWN	1.54 (39.1)	3.40 (86.4)	1.94 (49.3)	5.00 (127)	5.21 (132.3)	8.30 (210.8)
54231 DOWN	2.04 (51.8)	3.40 (86.4)	2.44 (62)	5.00 (127)	5.21 (132.3)	8.30 (210.8)
54231 UP	2.45 (62.2)	3.40 (86.4)	2.85 (72.4)	5.00 (127)	5.21 (132.3)	8.30 (210.8)
54230 UP	2.95 (74.9)	3.40 (86.4)	3.35 (85.1)	5.00 (127)	5.21 (132.3)	8.30 (210.8)

MAXIMUM ALLOWABLE INPUT SHAFT RADIAL LOAD PS-0283

