

FEATURES

- Stroke: 50, 100, 150, 200, 250, 300, 350, 400, 500 and 750mm (others on request)
- Materials:
 - Motor and actuator tube are powder coated steel or stainless steel
 - Piston rod is stainless steel
 - Front and rear brackets are PA, Aluminium or stainless steel
- Protection class: IP66 (standard), IP68, IP69K, ATEX
- Temperature:
 - Standard (-5°C - +70°C)
 - Low (-40°C - +70°C)
 - High (-5°C - +90°C)
- Cable: 1m, 2X1.3mm² (AWG16), Ø=6.4mm, black, Molex Mini-Fit Jr. 6 pin
- Bending radius: 6x cable diameter
- Max. static load/Self locking force: PA brackets: 4700N Alu/AISI: 16800N, depending on stroke length for push-applications
- Duty cycle: Max. 10% or 2 minutes in use followed by 18 minutes rest

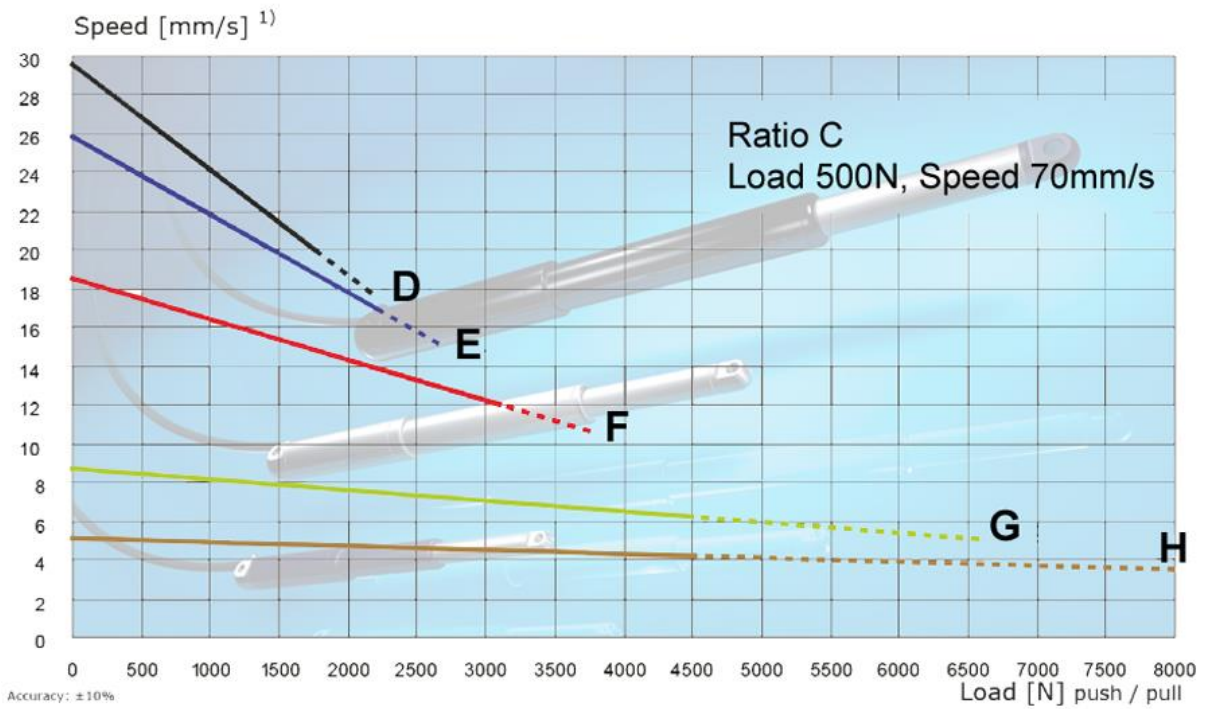
SPEED AND FORCES

Gear ratio	C*	D	E	F	G	H
Maximum load [N]	500	1750	2200	3100	4500	4500
Speed at maximum load [mm/s]	70	20	17	12	6	4

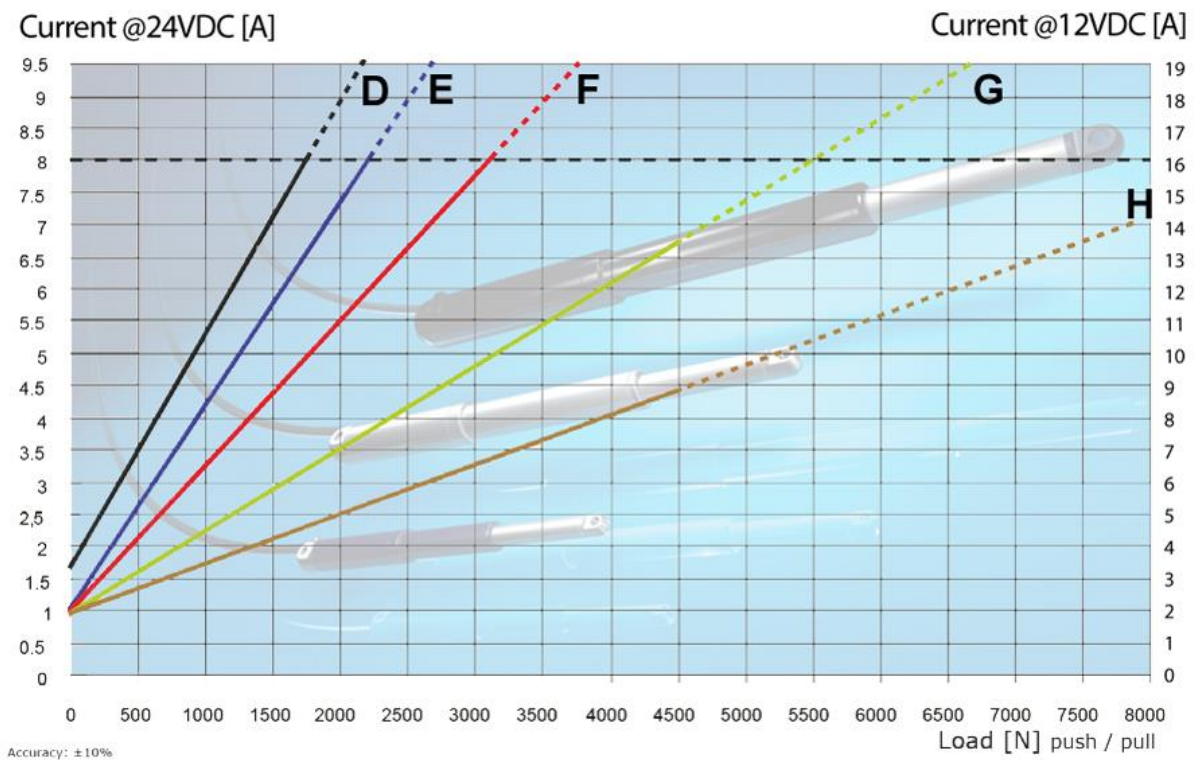
Recommended max. current: 12VDC = 3.6A and 24VDC = 8A

* only 24V

SPEED/FORCE



FORCE/CURRENT



DIMENSIONS

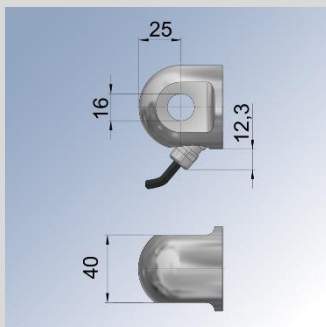


	EL	Clevis rear	Hall Sensor	UL/EN60.601	IP68/IP69K
Gear ratio: C, D, E, F	Stoke + 240	-	+15	+15	+14
Gear ratio: G, H	Stoke + 255				

Axial backlash: +/- 0,5mm, generally length tolerance +/- 1mm

CONNECTING PARTS "MOTOR-SIDE":

HINGE EYE



Aluminium

- Code: A2M
- Maximum static load: 16800N

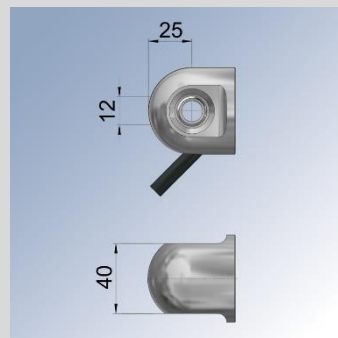
Polyamid (PA)

- Code: B2M
- Maximum static load: 4700N

Stainless steel (316)

- Code: C2M
- Maximum static load: 16800N

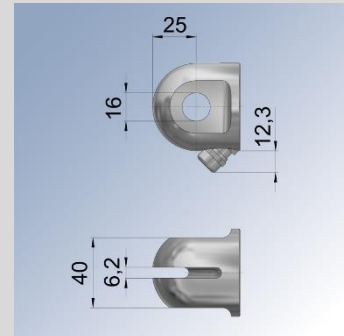
HINGE EYE WITH SPHERICAL BEARINGS



Aluminium

- Code: E2M
- Maximum static load: 11000N

CLEVIS



Aluminium

- Code: F2M
- Maximum static load: 16800N

Polyamid (PA)

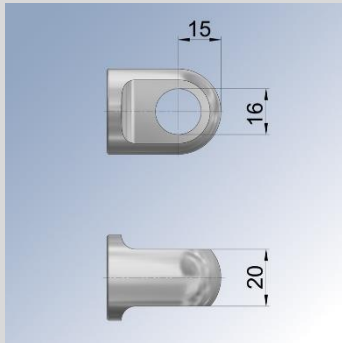
- Code: G2M
- Maximum static load: 4700N

Stainless steel (316)

- Code: H2M
- Maximum static load: 16800N

CONNECTING PART "CYLINDER-SIDE":

HINGE EYE



Aluminium

- Code: A2K
- Maximum static load: 16800N

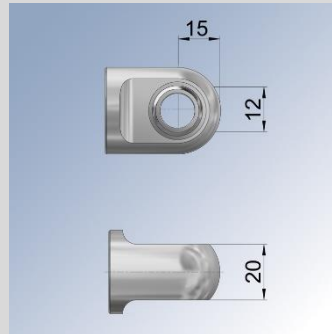
Polyamid (PA)

- Code: B2K
- Maximum static load: 4700N

Stainless steel (316)

- Code: C2K
- Maximum static load: 16800N

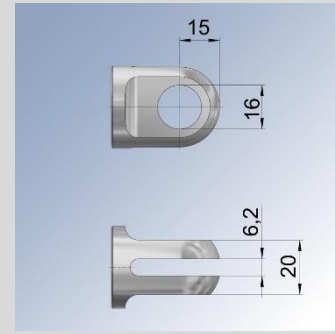
HINGE EYE WITH SPHERICAL BEARINGS



Aluminium

- Code: E2K
- Maximum static load: 11000N

CLEVIS



Aluminium

- Code: F2K
- Maximum static load: 16800N

Polyamid (PA)

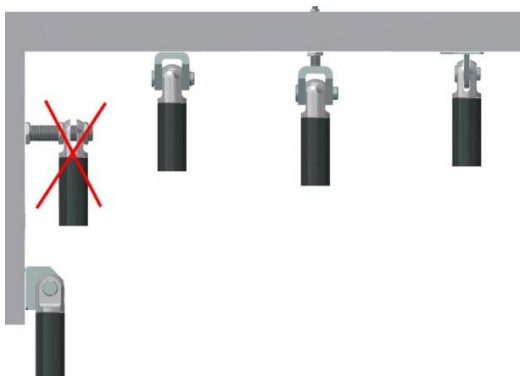
- Code: G2K
- Maximum static load: 4700N

Stainless steel (316)

- Code: H2K
- Maximum static load: 16800N

RECOMMENDED MOUNTING METHODS

- Do not clamp actuators on tubing
- Always keep both brackets mounted in the same orientation and ensure to flush mount actuator
- Brackets must always be able to rotate on axels in mountings



PLEASE NOTE

- Power supply without over-current protection can cause serious damage to the actuator at mechanical end-stop or when actuator is overloaded in another way
- Radial forces might have an adverse effect on the performance or lead to damage of the actuator
- Keep piston tube clean
- Longer cable lengths may cause voltage drop which affects the performance of the actuator
- For medical applications maximum ambient temperature is 48°C
- The dust and water sealing of IP68/IP69K actuators might affect their performance
- All specifications are for 25 °C ambient – low temperature might affect performance