

Stainless steel body air-operated valve for chemical liquids

# AMD4<sup>1</sup>/<sub>2</sub><sup>3</sup>/<sub>2</sub> Series

● Orifice: Ø16



## Specifications

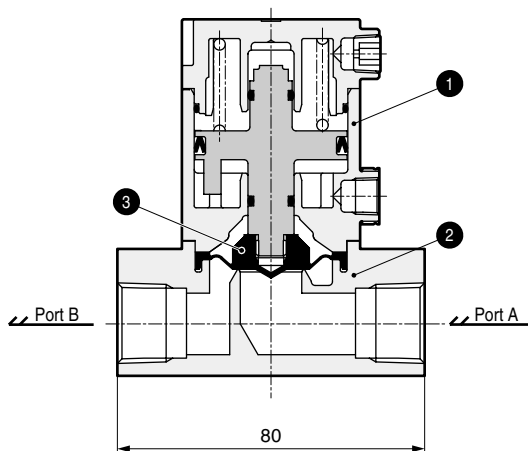
Descriptions		AMD4 <sup>1</sup> / <sub>2</sub> <sup>3</sup> / <sub>2</sub> -15/6BT/12S
Working fluid		Chemical liquids, pure water (Note 1)
Fluid temperature °C		5 to 120
Withstanding pressure MPa		0.9
Working pressure range (A → B) MPa		0 to 0.3 (Note 2)
Working pressure range (B → A) MPa		0 to 0.1 (Note 2)
Valve seat leakage cm <sup>3</sup> /min		0 (at, water pressure)
Back pressure MPa		0 to 0.1 (Note 2)
Ambient temperature °C		0 to 60
Frequency		20 times/min or less
Installation attitude		Free
Connection		Rc 1/2, 3/4" SUS weld tube, 3/4" double barbed fitting (Note 3)
Orifice		Ø16
Operation section	Operation pressure range MPa	NC/NO 0.3 to 0.5, double acting 0.3 to 0.4
	Operation pressure connection port	Rc1/8

Note 1: Check the compatibility of the product's configuration materials, working fluid, and ambient atmosphere before use.

Note 2: See page 56 for high-pressure specifications.

Note 3: For the double-barbed fitting, fluorine-based lubricant is applied on the sliding surface of the front ferrule and fitting.

## Internal structure and parts list

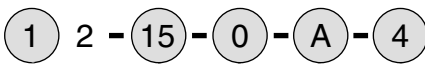


No.	Parts name	Material	Quantity
1	Actuator assembly	PPS	1
2	Body	SUS316L	1
3	Diaphragm	PTFE	1

The material differs with the model. Contact CKD for details.

### How to order

AMD4  
Model No.



		B Connection		
		15	6BT	12S
B Connection		Rc 1/2	3/4" X 1.24 SUS weld tube	3/4" tube connection Double barbed fitting
		Orifice		
		Ø16		
A Actuation		A Actuation		
1	NC (normally closed)	●	●	●
2	NO (normally open)	●	●	●
3	Double acting	●	●	●
C Option		C Option		
0	ON/OFF only	●	●	●
1	With flow adjustment	●	●	●
6	With indicator	●	●	●
D Actuator material		D Actuator material		
Blank	PPS	●	●	●
A	A5056	●	●	●
E Operation port direction		E Operation port direction		
4	<p>Indicates that fluid flows in direction of the black arrow when looking at valve from above. The white arrow indicates operation port direction.</p>	●	●	●
1		●	●	●
2		●	●	●
3		●	●	●

AMDZ
AMD0
AMD0*2
AMD3*2
AMD4*2
AMD5*2
AMGZ0
AMG00
AMG*02
GAMD**2
High-pressure specifications
AMB
Flow characteristics
MIMD*02
GMIMD*02
MIMD*0
TMID*02
AMS
AMDS
TOAS
Fine regulator
KML
Others
Solenoid valve