

## 3, 5 port pilot operated valve 4GA/B • 4GD/E R Series



3,5 PORT PILOT OPERATED VALVE 4GA/B 4GD/E R Series

**User Friendly.  
Upgraded Performance.**



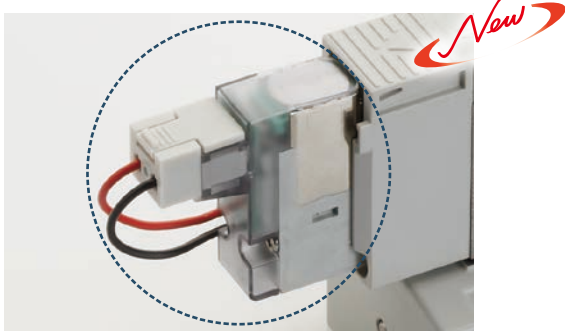
# New 4G! Start!

The new 4G is further evolved while inheriting the conventional 4G series concept. It starts here.

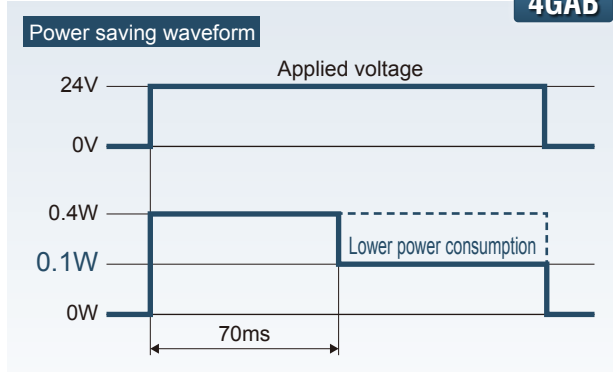
Power consumption <b>0.1w</b> Minimal heat generated with integrated energy saving circuit <b>4GAB</b>	Power consumption <b>0.35w</b> Standard products
---	--

## Power Consumption

Continuous energization OK (single solenoid type)  
Improved Solenoid Design. **4GAB**



Lower power consumption **4GAB**

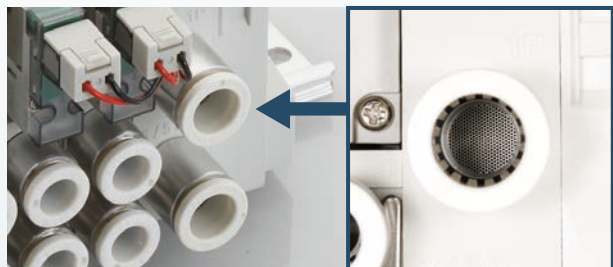


## Safety

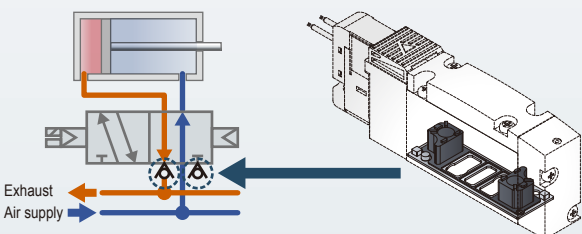
Manual override protection  
Manual override with protective covers.



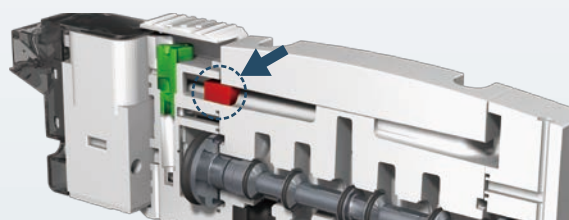
Contamination prevention  
Filter standard equipment  
(Available on A and B ports as an option)

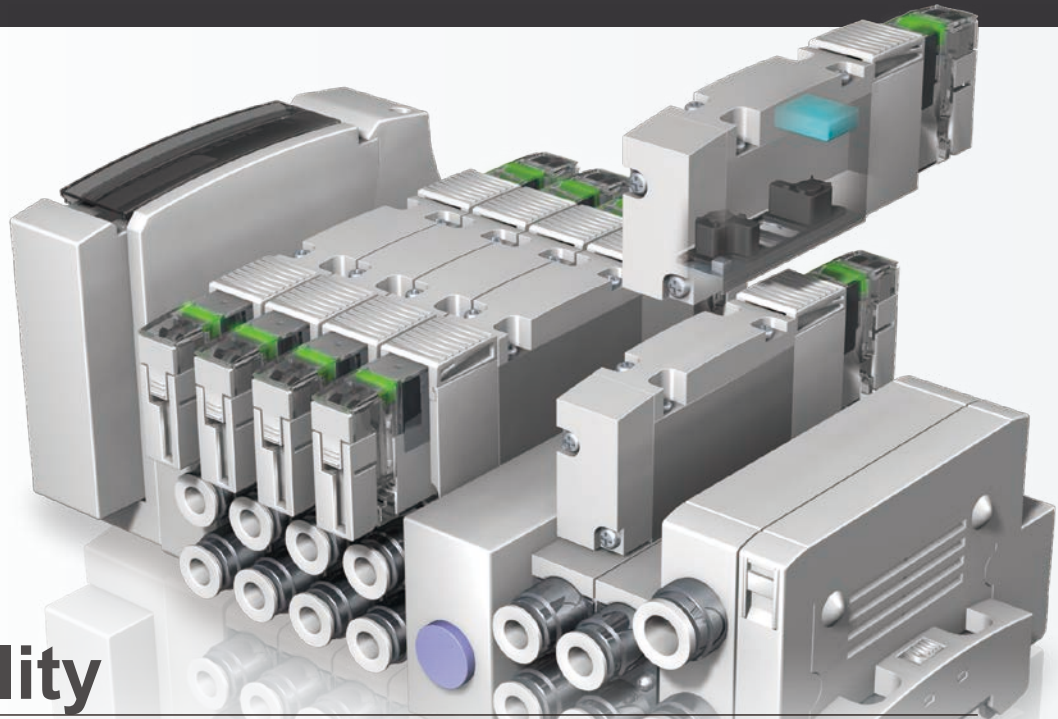


Potential for exhaust back-pressure eliminated.  
Exhaust malfunction prevention valve.  
Standard feature in both metal and plastic base designs.



Internal pilot filter is standard equipment.





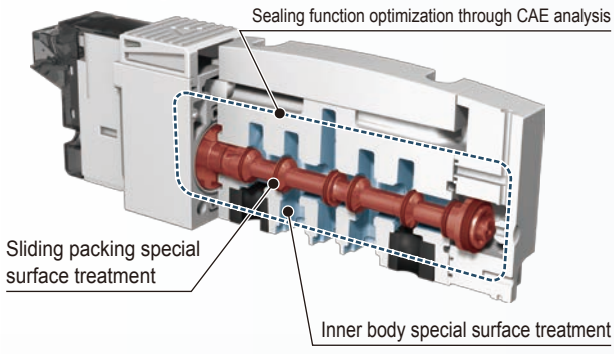
# Reliability

Low friction design with improved life cycle rating  
 Excellent response time and long life achieved with the main spool. **4GAB**



Life Rating  
**100 million cycles or more**  
 Single solenoid, through our predetermined conditions  
**4GAB**

Response time  
**12±2ms**  
 4G1 test results

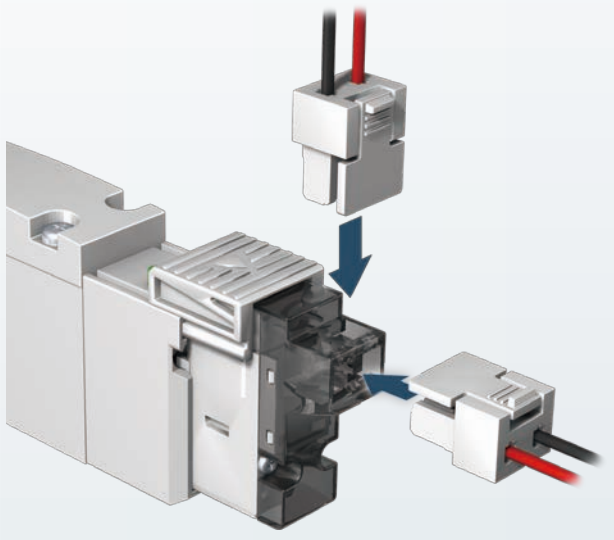


Improved response even after weekend shutdown

Smooth start-up even after a prolonged shut-down. **4GAB**

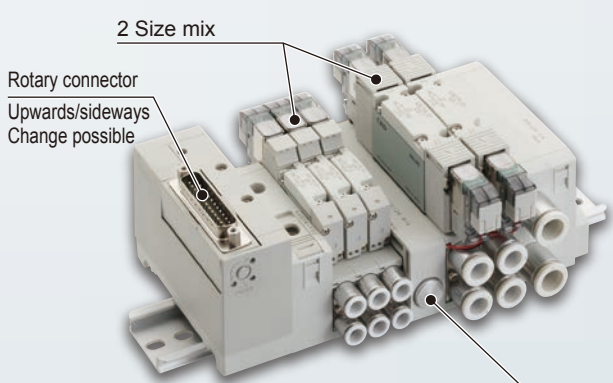
# Flexible Functionality

Two-way wiring connector of top or side.  
 Wire connection orientation is easily adjusted in the field.



Manifold flexibility

Manifolds can include a mixture of valve sizes and port sizes.



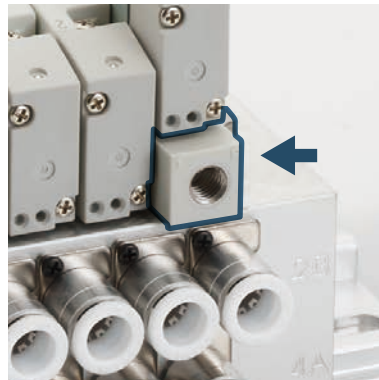
Manifolds can include a mixture of valve sizes and port sizes

# Variety of options



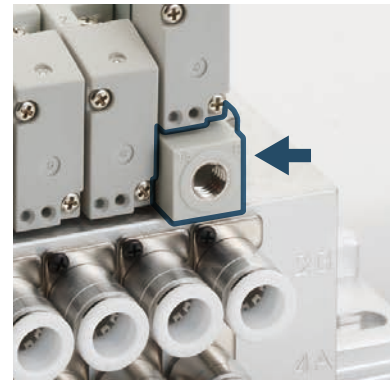
**Individual Valve shut-off**

Valves are individually replaceable without stopping operation of the production line!



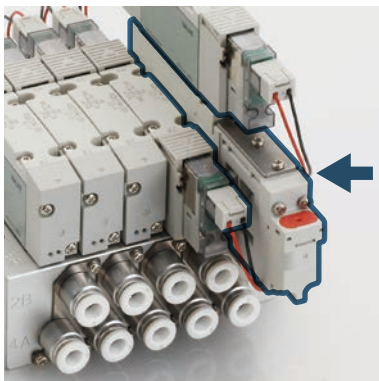
**Individual supply spacer**

Ideal for cylinder thrust adjustment in the individual valve pressure increase/decrease!



**Exhaust spacer**

Prevent malfunction of Single-acting cylinders in the individual exhaust!



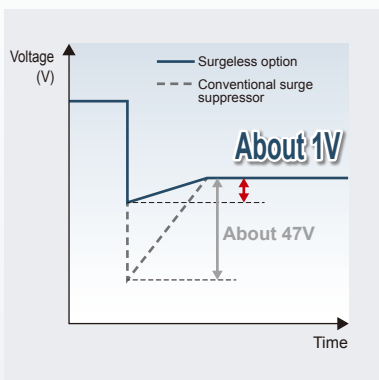
**Pilot check valve spacer**

For intermediate valve stoppage. Provides a short-term positive lock of a double-acting cylinder



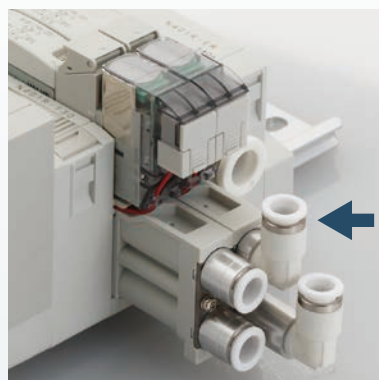
**More valve porting options**

4G1 now includes 8mm tubing (C8)  
4G2 now includes 10mm tubing



**Surge Protection**

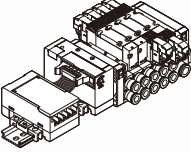
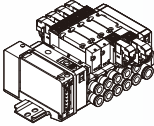
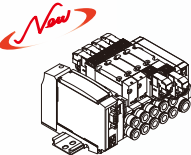
The coil surge voltage is reduced about 1V to protect the output contacts!



**Elbow fitting option for block manifold**

Improve the flexibility of valve installation with the addition of piping direction

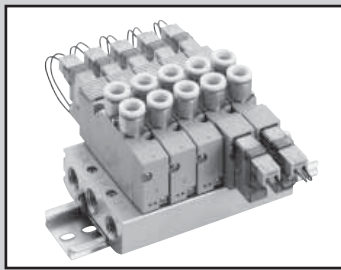
# Automation communication protocols supported

		CC-Link	Compo Bus/S	S-LINK	Uniwire H system	Device Net	SAVE NET	Compo Net	PROFI BUS-DP	Ether CAT	EtherNet /IP
	M4G Metal Manifold	●	●	●	●						
	MN4G Resin Manifold	●	●	●	●						
	MN4G Resin Manifold	●	●	●		●	●	●			
	M4G Metal Manifold	●							●	●	●
	MN4G Resin Manifold	●							●	●	●

# Applications/environment table

		Multi function type <b>4GA/B R</b>	Standard type <b>4GD/E R</b>
Reliability	Air quality		
	Ultra-dry air • N2	●	○
	Dry air	●	○
	Oil contaminated air/ low ozone	○	○
	Drain air	●	○
	Countermeasure for the use after weekend shutdown	●	○
	Low vacuum support	○	
Safety	Exhaust malfunction prevention function	○	○
	Manual override protective cover	○	○
	Built-in contamination protection	○	○
Usability	90 degree elbow quick to connect fittings	○	
	External pilot	○	
	Two-way wiring connector of top/side	○	○
	Manual operation without tools	○	○

● Recommended



Individual wiring manifold  
 Body piping  
 Direct mount type/DIN rail mount type

# M3GD1, 2, 3- (D) /M4GD1, 2, 3- (D) Series

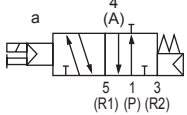
● Applicable cylinder bore size:  $\phi 20$  to  $\phi 100$



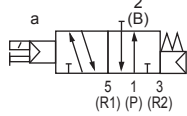
4GAB  
 M4GAB  
 MN4GAB  
 4GAB  
 Master valve  
 4GD/E  
 M4GD/E  
 MN4GD/E  
 Technical data  
 Safety  
 precautions  
 Manifold  
 Specifications

## JIS symbol

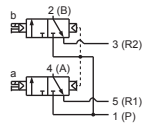
- 3 port valve  
 2-position single N.C. type



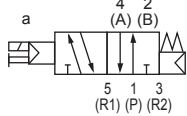
- 2-position single N.O. type



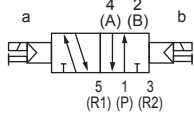
- Dual 3 port valve integrated type  
 (A side valve: N.C. type, B side valve: N.C. type)



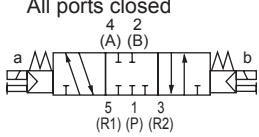
- 5 port valve  
 2-position single



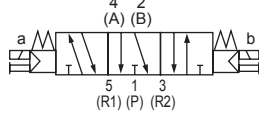
- 2-position double



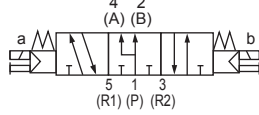
- 3-position  
 All ports closed



- 3-position A/B/R connection



- 3-position P/A/B connection



## Manifold common specifications

Descriptions		Integrated base
Manifold type		Integrated base
Mounting method		Direct mount type/DIN rail mount type
Supply and exhaust method		Common supply/common exhaust (malfunction prevention valve integrated)
Pilot exhaust method	Internal pilot	Main valve/pilot valve common exhaust (Standard) (Pilot exhaust check valve integrated)
Piping direction		Valve top direction
Valve type and operation method		Pilot-operated soft spool valve
Working fluid		Compressed air
Max. working pressure MPa		0.7
Min. working pressure MPa		0.2
Withstanding pressure Mpa		1.05
Ambient temperature °C		-5 to 55 (no freezing)
Fluid temperature °C		5 to 55
Manual operating device		Non-locking/locking common type
Lubrication	Note 1	Not required
Degree of protection Note 2		Dust proof
Vibration/shock m/s <sup>2</sup>		50 or less / 300 or less
Working environment		Containing corrosive gas is not permissible

Note 1 Use the turbine oil Class 1 ISO VG32 if lubricated. Excessive or intermittent lubrication results in unstable operation.

Note 2 Avoid water drops or oil, etc. during use. IP65 (jet-proof type) applies for DIN terminal box specifications. Note that the specified adaptive cord outer diameter and tightening torque must be used for fixing.

## Electrical specification

Descriptions		24 VDC	12 VDC	100 VAC	200 VAC
Rated voltage		24 VDC	12 VDC	100 VAC	200 VAC
Voltage fluctuation range		±10%			
Holding current A Note 3		0.015 (0.017)	0.030 (0.034)	0.009 (0.009)	0.006 (0.006)
Power consumption W Note 3		0.35 (0.40)		-	
Apparent power VA Note 3 Note 4		-		0.93 (0.98)	1.26
Thermal class		B			
Surge suppressor		Option			
Indicator		Light (option)			

Note 3 Values in ( ) apply when a light is attached.

Note 4 200 VAC is the DIN terminal box (with light) value .

## Individual specifications

Descriptions		M3GD1/M4GD1		M3GD2/M4GD2		M3GD3/M4GD3	
		Direct mount	DIN rail mount	Direct mount	DIN rail mount	Direct mount	DIN rail mount
Max. station no.	Standard (Internal pilot)	20 stations	16 stations	20 stations	16 stations	20 stations	16 stations
Port size	A/B port	Push-in fitting $\phi 4$ , $\phi 6$ M5		Push-in fitting $\phi 4$ , $\phi 6$ , $\phi 8$ Rc1/8		Push-in fitting $\phi 6$ , $\phi 8$ , $\phi 10$ Rc1/4	
	P/R1/R2 port	Rc1/8		Rc1/4		Rc3/8	
Manifold base formula (n: station no.)		23n+52	25n+60	47n+64	49n+92	74n+88	76n+117

Refer to "Cautions for Mounting the DIN Rail" (page 630), and select the manifold.

For 10 or over manifold station no. (5 stations for 4G3), use ports on both sides for air supply and exhaust. The manifold base weight is the value for screw specifications.

# M3GD1, 2, 3/M4GA1, 2, 3 Series

Individual wiring manifold; body piping

## Flow characteristics

Model no.	Valve Position	P→A/B		A/B→R1/R2		
		C (dm <sup>3</sup> /(s·bar))	b	C (dm <sup>3</sup> /(s·bar))	b	
<b>M3GD1</b> <b>M4GD1</b>	Dual 3 port valve integrated type	0.86	0.31	1.1 (0.66)	0.19 (0.22)	
	2-position	0.99	0.20	1.2 (0.70)	0.20 (0.12)	
	3-position	All ports closed	0.94	0.23	1.1 -	0.20 -
		ABR connection	0.93	0.18	1.3 (0.70)	0.23 (0.02)
	PAB connection	1.1	0.28	1.1 -	0.23 -	
<b>M3GD2</b> <b>M4GD2</b>	Dual 3 port valve integrated type	1.7	0.40	2.3 (1.7)	0.29 (0.32)	
	2-position	2.3	0.36	2.9 (1.7)	0.24 (0.33)	
	3-position	All ports closed	2.1	0.35	2.5 -	0.32 -
		ABR connection	2.2	0.37	2.9 (1.8)	0.32 (0.29)
	PAB connection	2.4	0.34	2.5 -	0.33 -	
<b>M3GD3</b> <b>M4GD3</b>	2-position	3.2	0.37	3.8 (2.5)	0.13 (0.28)	
	3-position	All ports closed	2.9	0.35	3.3 -	0.35 -
		ABR connection	3.0	0.34	3.8 (2.6)	0.12 (0.27)
		PAB connection	3.3	0.30	3.3 -	0.32 -

Note 1: Effective cross-sectional area S and sonic conductance C are converted as  $S \approx 5.0 \times C$ .  
 Note 2: Values in ( ) apply when a malfunction prevention valve is attached.

Ozone specifications / Cutting oil proof type specifications

Select the option "A" of (E) in how to order on page 406.

Specifications for secondary battery

- In order to be applicable for secondary battery manufacturing process, confine materials for air passage and sliding section

\*\* - Voltage - **P4**

4GAB

M4GA/B

MN4GA/B

4GAB  
Master valve

4GD/E

M4GD/E

MN4GD/E

Technical data

Safety  
precautions

Manifold  
Specifications

# M4GD1, 2, 3 Series

Individual wiring manifold; body piping

## How to order

Manifold model no.

**M 4GD1 1 0 R - C6 - E2 H D - - 3**

3 port manifold model no.

**M 3GD1 1 0 R - C6 - E2 H D - - 3**

Discrete valve for mounting base

**4GD1 1 9 R - C6 - E2 H - - 3**

Discrete 3 port valve for mounting base

**3GD1 1 9 R - C6 - E2 H - - 3**

**B** Valve Position

**A** Model no.

**C** Port size

**D** Electrical connections

**E** Option

**F** Mount type

**G** Pilot exhaust method

**H** Station no.

**I** Voltage

### Note on model no. selection

- Note 1 Select M4GD\*80R when mixing with 3, 5 port valves.  
Select M3GD\*80R when mixing with the masking plate.
- Note 2 Dimensions are the same as the respective 2-position double.
- Note 3 Push-in fitting cannot be mixed with the discrete valve's 4 (A) or 2 (B) port.
- Note 4 3-position all ports closed and PAB connection are not provided with malfunction prevention valve (H). Refer to page 628 for details on check valve.
- Note 5 The P port has a filter built inside as a standard.
- Note 6 Specify the spacer mounting position and quantity in manifold specifications. Stacking multiple spacers is not supported. Combination with the masking plate is not supported. Refer to page 472 to 476 for details.
- Note 7 Only the DIN terminal box are supported. Dual 3 port valve integrated type is not available.

\* Always indicate "Manifold specifications" (page 490 to 492).

### A Model No.

	3GD1	3GD2	3GD3	4GD1	4GD2	4GD3
--	------	------	------	------	------	------

Symbol	Descriptions	3GD1	3GD2	3GD3	4GD1	4GD2	4GD3
--------	--------------	------	------	------	------	------	------

B Valve Position							
1	2-position single				●	●	●
2	2-position double				●	●	●
3	3-position all ports closed				●	●	●
4	3-position ABR connection				●	●	●
5	3-position PAB connection				●	●	●
1	2-position single normally closed	●	●	●			
11	2-position single normally open	●	●	●			
66	Dual 3 port valve integrated type	●	●				
	A side valve: Normally closed						
	B side valve: Normally closed						
8	Mix manifold (In case of multiple Valve Positions)	●	●	●	●	●	●

### C Port size

Port	4 (A) /2 (B) port	P/R1/R2 port (2) = Rc1/8 (3) = Rc1/4 (4) = Rc3/8					
C4	φ4 push-in fitting	(2)	(3)		(2)	(3)	
C6	φ6 push-in fitting	(2)	(3)	(4)	(2)	(3)	(4)
C8	φ8 push-in fitting			(3)	(4)		(3) (4)
C10	φ10 push-in fitting			(4)			(4)
CX	Push-in fitting mix	Note 3	(2)	(3)	(4)	(2)	(3) (4)
M5	M5	(1)				(1)	
06	Rc1/8			(2)			(2)
08	Rc1/4			(3)			(3)

### D Electrical connections

Refer to the next page for wire connections.

### E Option

Blank	Non-locking/locking common manual override	●	●	●	●	●	●
H	With check valve	Note 4	●	●	●	●	●
A	Ozone/cutting oil proof		●	●	●	●	●
F	A/B port filter integrated	Note 5	●	●	●	●	●
Z1	Air supply spacer	Note 6	●	●	●	●	●
Z2	In stop valve spacer	Note 6	●	●	●	●	●
Z3	Exhaust spacer	Note 6	●	●	●	●	●

### F Mount type

Blank	Direct mount type	●	●	●	●	●	●
D	DIN rail mount type	●	●	●	●	●	●

### G Pilot exhaust method

Blank	Common exhaust type (Pilot exhaust check valve integrated)	●	●	●	●	●	●
C	Open type (Individual wiring only)	○	○	○	○	○	○

### H Station no.

2	2 stations						
to	to	●	●	●	●	●	●
20	Refer to page 404 for the max. station no. for each model.						

### I Voltage

1	100 VAC (rectifier integrated)	●	●	●	●	●	●
2	200 VAC (rectified integrated)	Note 7	●	●	●	●	●
3	24 VDC		●	●	●	●	●
4	12 VDC		●	●	●	●	●

is not available.  
○ Contact CKD for price and availability.



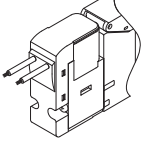
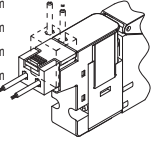
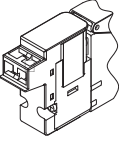
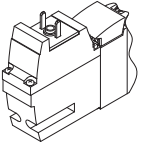
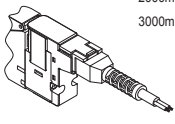
[Electrical connections]

		A Model No.					
		3GD1	3GD2	3GD3	4GD1	4GD2	4GD3
<b>D Electrical connections</b>							
<b>Blank</b>	Grommet lead wire (300 mm)	Note 8	●	●	●	●	●
<b>B</b>	DIN terminal box (Pg7) with surge suppressor/light	Note 9	●	●	●	●	●
<b>BN</b>	DIN terminal box (Pg7) (without terminal box) with surge suppressor	Note 9	●	●	●	●	●
<b>E type connector (upward/lateral direction common)</b>							
<b>E0</b>	Lead wire (300 mm)	Note 10	●	●	●	●	●
<b>E00</b>	Lead wire (500mm)	Note 10	●	●	●	●	●
<b>E01</b>	Lead wire (1000mm)	Note 10	●	●	●	●	●
<b>E02</b>	Lead wire (2000mm)	Note 10	●	●	●	●	●
<b>E03</b>	Lead wire (3000mm)	Note 10	●	●	●	●	●
<b>E0N</b>	Without lead wire (without socket)	Note 10	●	●	●	●	●
<b>E1</b>	Without lead wire (with socket/terminal)	Note 10	●	●	●	●	●
<b>E2</b>	Lead wire (300 mm) With surge suppressor/light		●	●	●	●	●
<b>E20</b>	Lead wire (500mm) With surge suppressor/light		●	●	●	●	●
<b>E21</b>	Lead wire (1000mm) With surge suppressor/light		●	●	●	●	●
<b>E22</b>	Lead wire (2000mm) With surge suppressor/light		●	●	●	●	●
<b>E23</b>	Lead wire (3000mm) With surge suppressor/light		●	●	●	●	●
<b>E2N</b>	Without lead wire (without socket) With surge suppressor/light		●	●	●	●	●
<b>E3</b>	Without lead wire (with socket/terminal) With surge suppressor/light		●	●	●	●	●
<b>EJ type connector (socket with cover, upward/lateral direction common)</b>							
<b>E01J</b>	Lead wire (1000mm)	Note 10	●	●	●	●	●
<b>E02J</b>	Lead wire (2000mm)	Note 10	●	●	●	●	●
<b>E03J</b>	Lead wire (3000mm)	Note 10	●	●	●	●	●
<b>E21J</b>	Lead wire (1000mm) With surge suppressor/light		●	●	●	●	●
<b>E22J</b>	Lead wire (2000mm) With surge suppressor/light		●	●	●	●	●
<b>E23J</b>	Lead wire (3000mm) With surge suppressor/light		●	●	●	●	●

Note 8 Grommet lead wire specifications are only for DC voltage.

Note 9 The light is also attached to the terminal box.

Note 10 AC voltage comes with a rectifier circuit.

Electrical connections	
Discrete valve/individual wiring manifold	
<b>Blank</b>	Grommet lead wire
<b>E1</b> <b>E3</b>	E type connector with socket terminal
● Lead wire length 300mm	
<b>E0</b> <b>E2</b>	E type connector
<b>B</b>	DIN terminal box
● Lead wire length 300mm 500mm 1000mm 2000mm 3000mm	
<b>E0N</b> <b>E2N</b>	E type connector without socket
<b>BN</b>	DIN terminal box (without terminal box)
	
<b>E0*J</b> <b>E2*J</b>	EJ type connector
● Lead wire length 1000mm 2000mm 3000mm	

4GAB

M4GA/B

MN4GA/B

4GAB  
Master valve

4GD/E

M4GD/E

MN4GD/E

Technical data

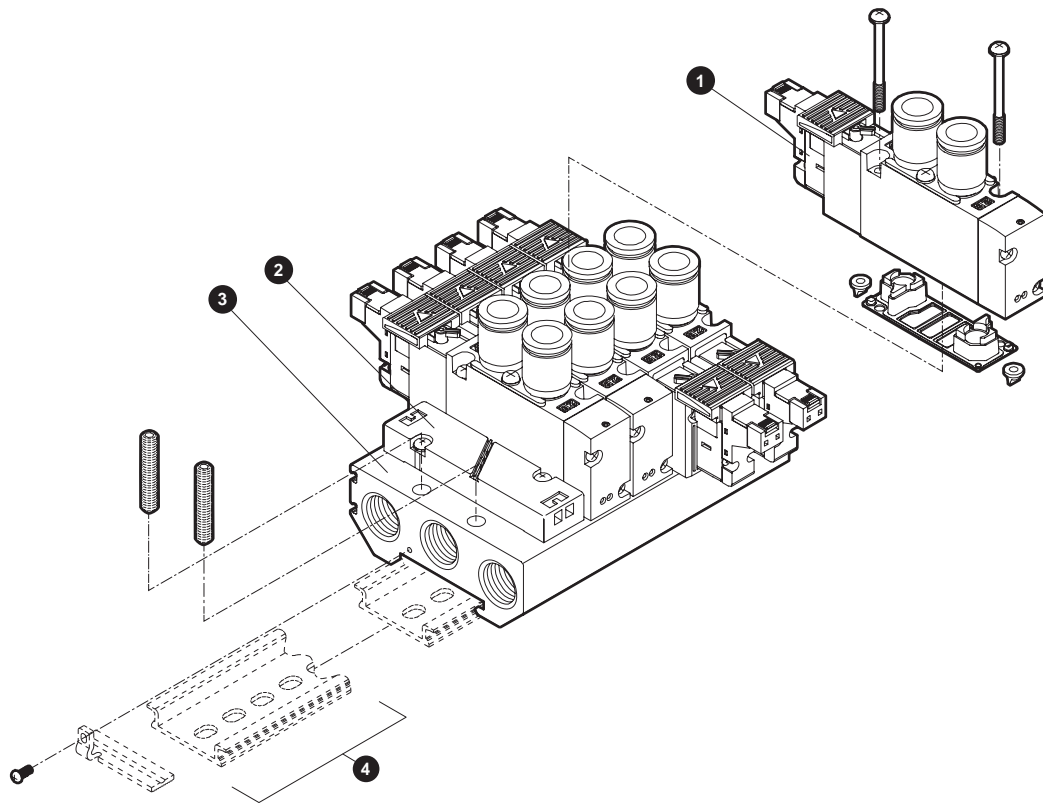
Safety  
precautions

Manifold  
Specifications

# M4GD1, 2, 3 Series

Individual wiring manifold; body piping

Manifold components explanation and parts list



## Main components list

No.	Component name	Model no.	Descriptions	Remarks
1	Discrete valve for mounting base	4GD**9R- <div style="display: flex; justify-content: space-around; font-size: small;"> <span>Port size</span> <span>Electrical connections</span> <span>Option</span> <span>Voltage</span> </div> <div style="margin-left: 20px;"> <span>Valve Position</span>  <span>Series flow rate size</span> </div>	Discrete valve Gasket Set screw 2 (PR check valve 2)	Details on page 406
2	Masking plate	3G1 & 4G1 4G1R-MP 3G2 & 4G2 4G2R-MP 3G3 & 4G3 4G3R-MP	Masking plate Gasket Set screw 2	*3G3 & 4G3 has two PR check valves.
3	Manifold base assembly	M4GA*R-00- <div style="display: flex; justify-content: space-around; font-size: small;"> <span>Option</span> <span>Station no.</span> </div> <div style="margin-left: 20px;"> <span>Series flow rate size</span> </div>	Manifold base	
4	DIN rail kit			Details on page 481

## Parts list

No.	Parts name	Model no.	No.	Parts name	Model no.
-	Coil assembly	4GR- <div style="display: flex; justify-content: space-around; font-size: small;"> <span>Electrical connections</span> <span>COIL</span> <span>Voltage</span> </div> <div style="margin-left: 20px; font-size: x-small;">                     Blank: Standard                      A: Ozone/cutting oil proof                      Select from ① Electrical connections on page 407                 </div>	-	Cartridge type push-in fitting and related parts	4G1 φ4 straight type 4G1R-JOINT-C4 φ6 straight type 4G1R-JOINT-C6 Plug cartridge 4G1R-JOINT-CPG
-	E type connector socket assembly	4GR-SOCKET-ASSY- <div style="display: flex; justify-content: space-around; font-size: small;"> <span>Electrical connection</span> <span>Voltage</span> </div>	-		4G2 φ4 straight type 4G2R-JOINT-C4 φ6 straight type 4G2R-JOINT-C6 φ8 straight type 4G2R-JOINT-C8 Plug cartridge 4G2R-JOINT-CPG
-	EJ type connector socket assembly	4GR-SOCKET-ASSY- <div style="display: flex; justify-content: space-around; font-size: small;"> <span>Electrical connections</span> </div>	-		4G3 φ6 straight type 4G3R-JOINT-C6 φ8 straight type 4G3R-JOINT-C8 φ10 straight type 4G3R-JOINT-C10 Plug cartridge 4G3R-JOINT-CPG

---

# MEMO

---

4GAB	M4GA/B	MN4GA/B	4GAB Master valve	4GD/E	M4GD/E	MN4GD/E	Technical data	Safety precautions	Manifold Specifications
------	--------	---------	----------------------	-------	--------	---------	----------------	-----------------------	----------------------------

# M4GD1 Series

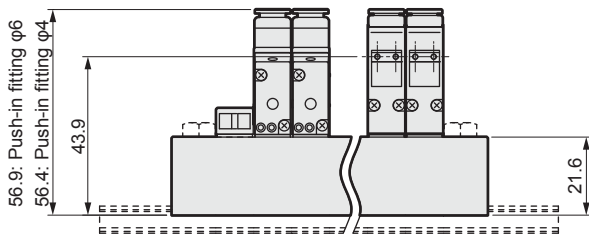
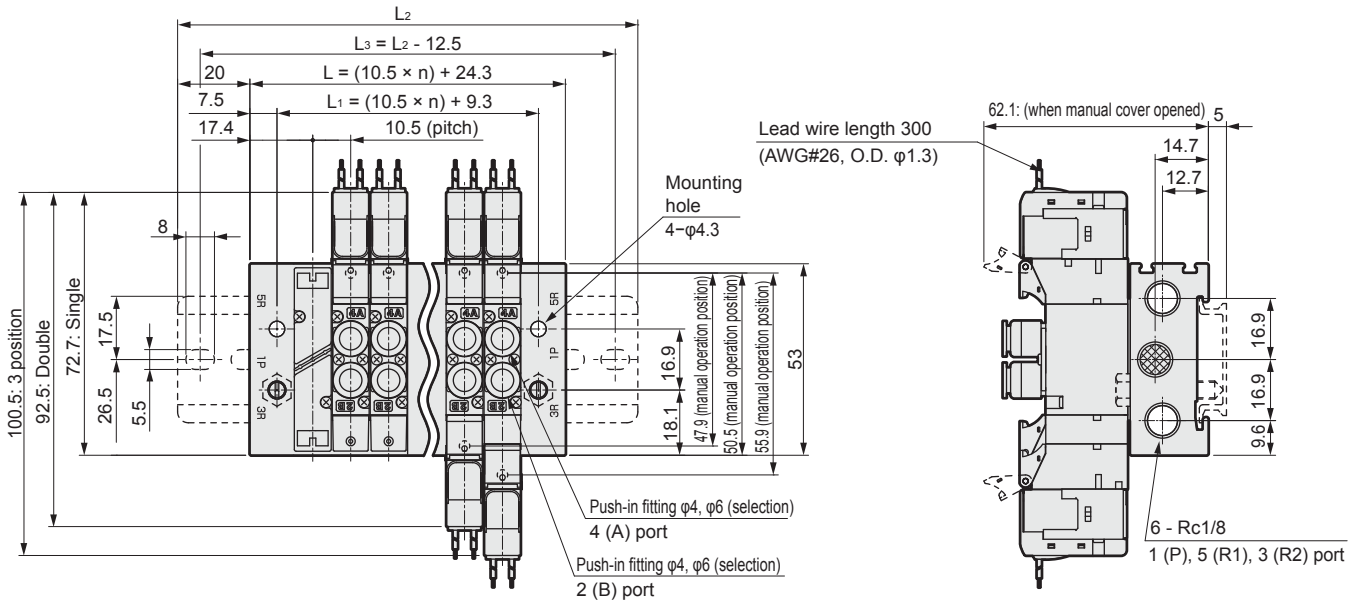
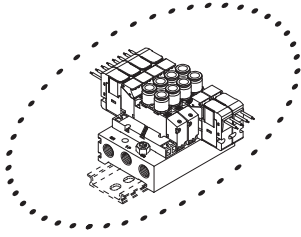
Individual wiring manifold; body piping

Dimensions 

## M4GD1

- Grommet lead wire (blank)

\* For 2-position single 3 port valve, the port A or port B is a plug.  
The dimension of dual 3 port valve integrated type is the same as that of the double type.



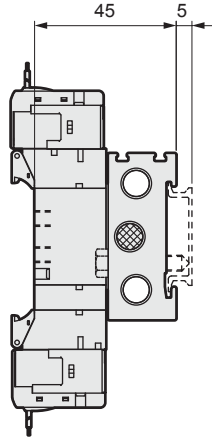
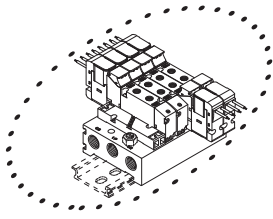
Station no.	2	3	4	5	6	7	8	9	10	11	12	13	14	15	16	17	18	19	20
L	45.3	55.8	66.3	76.8	87.3	97.8	108.3	118.8	129.3	139.8	150.3	160.8	171.3	181.8	192.3	202.8	213.3	223.8	234.3
L <sub>1</sub>	30.3	40.8	51.3	61.8	72.3	82.8	93.3	103.8	114.3	124.8	135.3	145.8	156.3	166.8	177.3	187.8	198.3	208.8	219.3
L <sub>2</sub>	87.5	100.0	112.5	125.0	137.5	150.0	150.0	162.5	175.0	187.5	200.0	212.5	212.5	225.0	237.5				
L <sub>3</sub>	75.0	87.5	100.0	112.5	125.0	137.5	137.5	150.0	162.5	175.0	187.5	200.0	200.0	212.5	225.0				

4GAB  
M4GAB/B  
MN4GAB  
4GAB Master valve  
4GD/E  
M4GD/E  
MN4GD/E  
Technical data  
Safety precautions  
Manifold Specifications

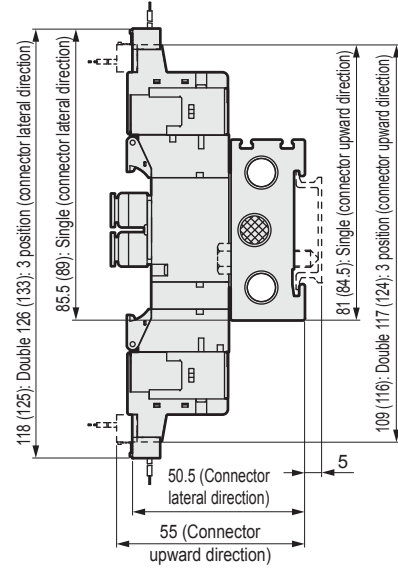
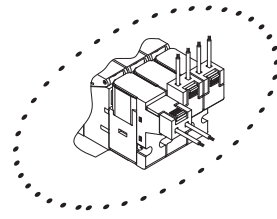
## Dimensions



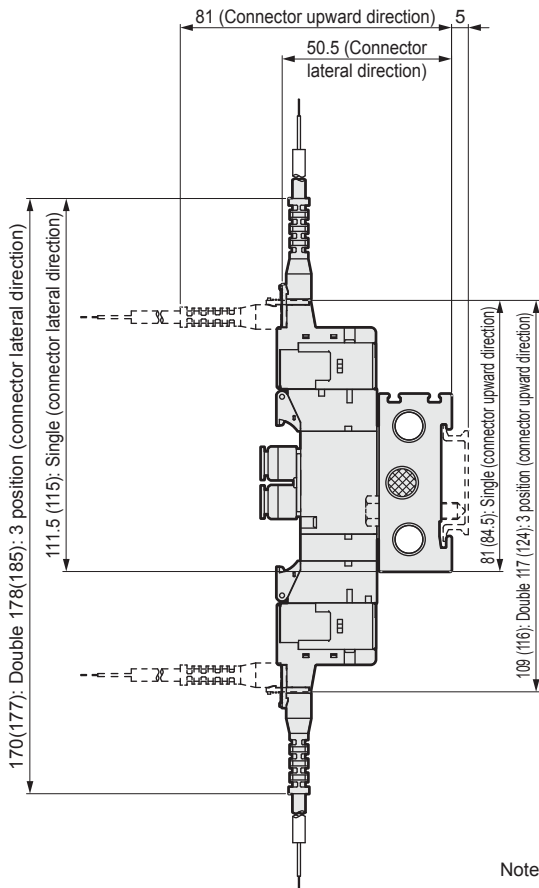
- M5 female thread type (M5)



- E type connector type (E)



- EJ type connector type (E\*\*J)



Note: Values in ( ) apply for 100 VAC.

4GAB

M4GA/B

MN4GA/B

4GAB  
Master valve

4GD/E

M4GD/E

MN4GD/E

Technical data

Safety  
precautions

Manifold  
Specifications

# M4GD2 Series

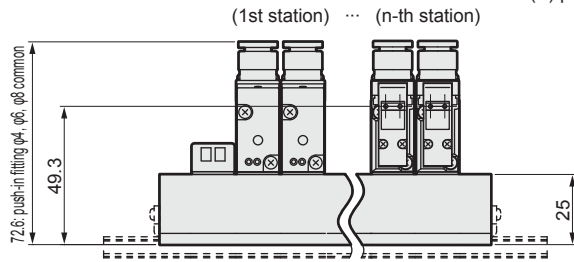
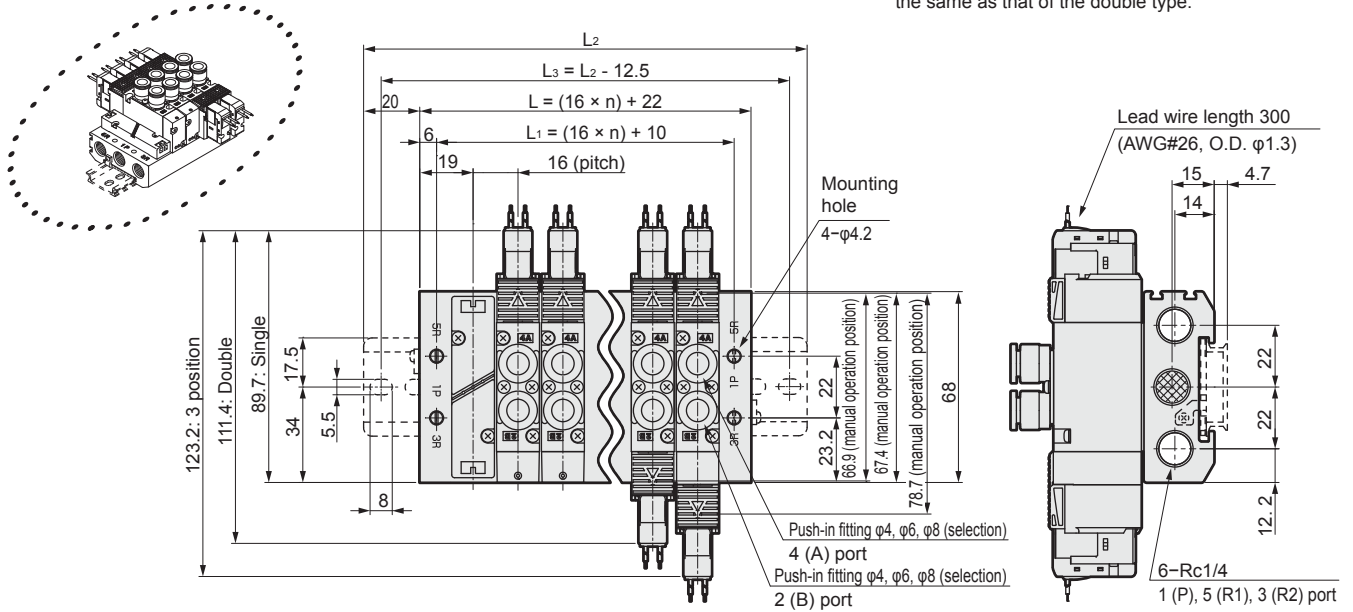
Individual wiring manifold; body piping

Dimensions 

## M4GD2

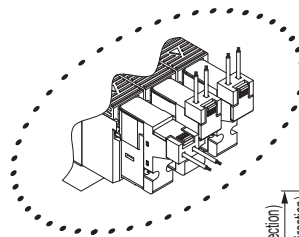
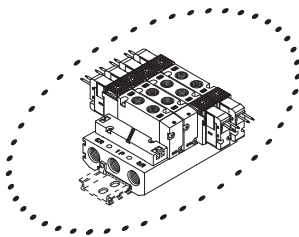
- Grommet lead wire (blank)

\* For 2-position single 3 port valve, the port A or port B is a plug.  
The dimension of dual 3 port valve integrated type is the same as that of the double type.

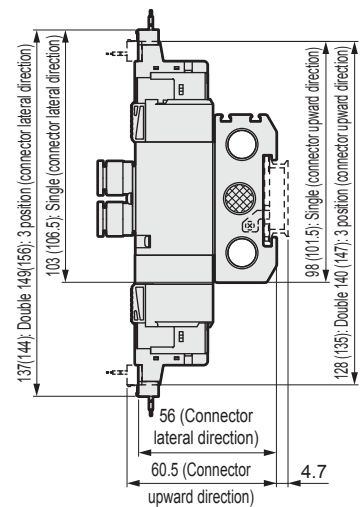
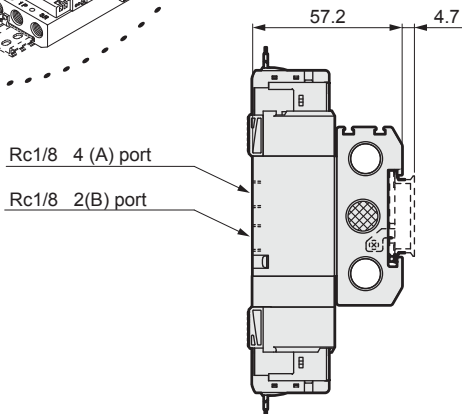


- Rc1/8 female thread type (06)

- E type connector type (E)



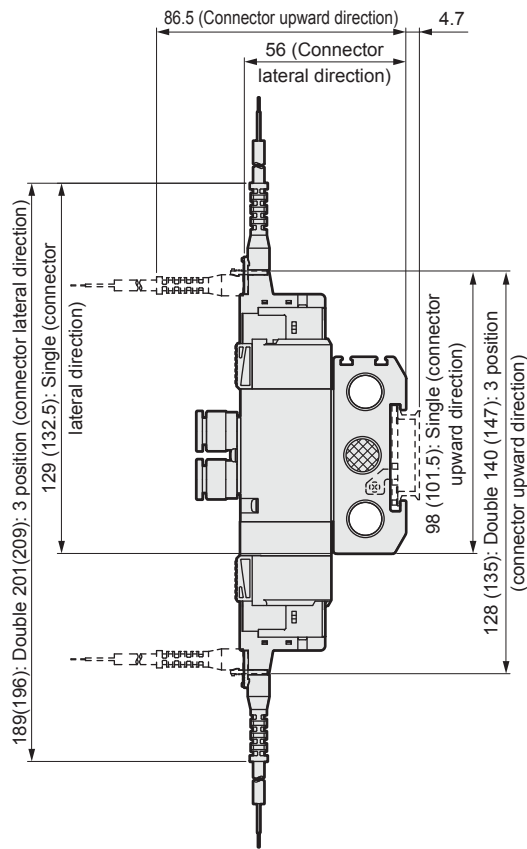
Note: Values in ( ) apply for 100 VAC.



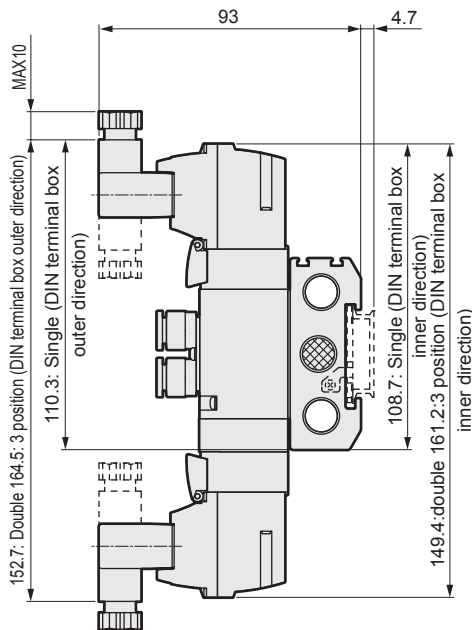
Station no.	2	3	4	5	6	7	8	9	10	11	12	13	14	15	16	17	18	19	20
L	54.0	70.0	86.0	102.0	118.0	134.0	150.0	166.0	182.0	198.0	214.0	230.0	246.0	262.0	278.0	294.0	310.0	326.0	342.0
L <sub>1</sub>	42.0	58.0	74.0	90.0	106.0	122.0	138.0	154.0	170.0	186.0	202.0	218.0	234.0	250.0	266.0	282.0	298.0	314.0	330.0
L <sub>2</sub>	100.0	112.5	137.5	150.0	162.5	175.0	200.0	212.5	225.0	250.0	262.5	275.0	287.5	312.5	325.0				
L <sub>3</sub>	87.5	100.0	125.0	137.5	150.0	162.5	187.5	200.0	212.5	237.5	250.0	262.5	275.0	300.0	312.5				

## Dimensions

- EJ type connector type (E\*\*J)



- DIN terminal box type (B)



Note: The DIN terminal box assembly is shipped facing inward.

4GAB

M4GA/B

MN4GA/B

4GAB  
Master valve

4GD/E

M4GD/E

MN4GD/E

Technical data

Safety  
precautions

Manifold  
Specifications

# M4GD3 Series

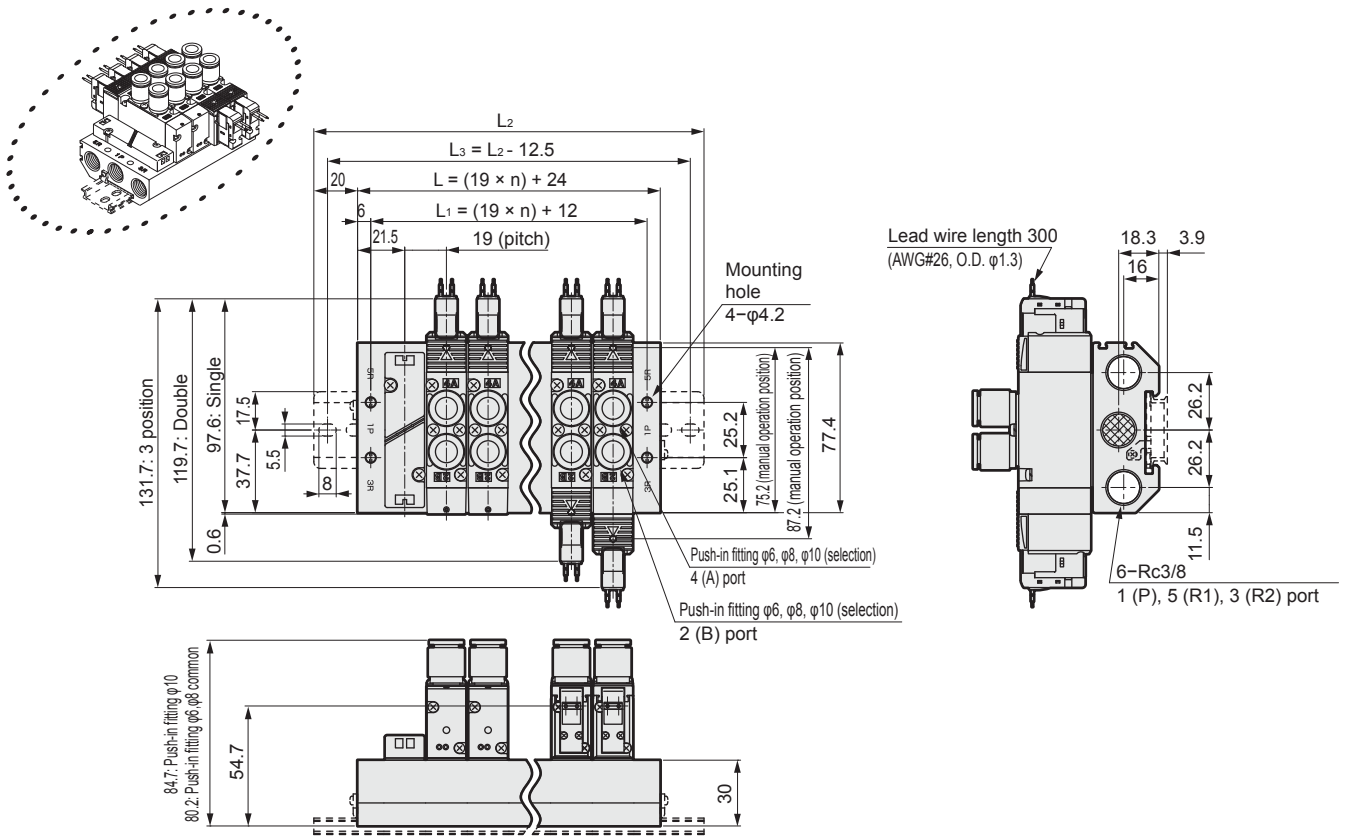
Individual wiring manifold; body piping

Dimensions 

## M4GD3

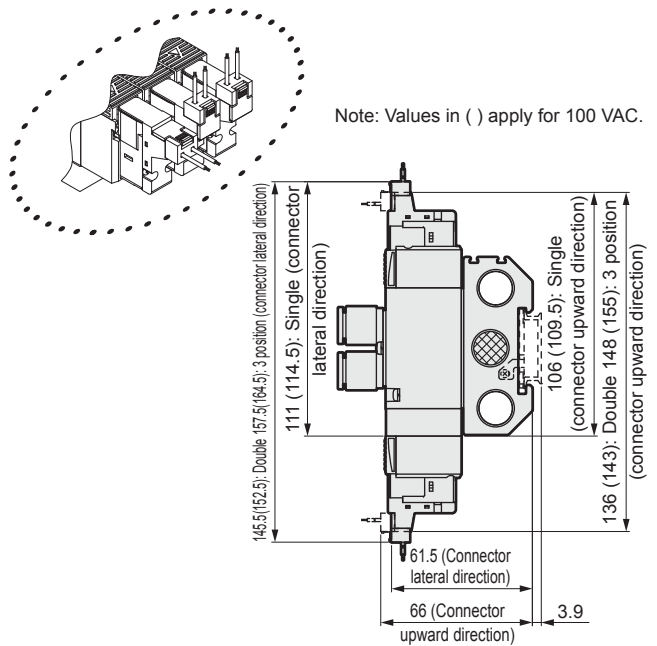
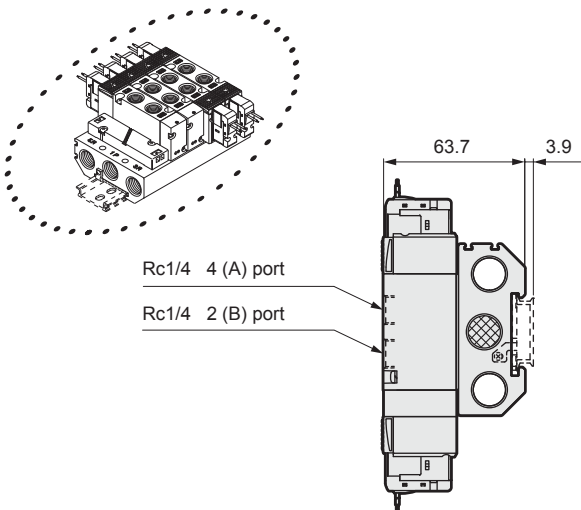
- Grommet lead wire (blank)

\* For 2-position single 3 port valve, the port A or port B is a plug.



- Rc1/4 female thread type (08)

- E type connector type (E)



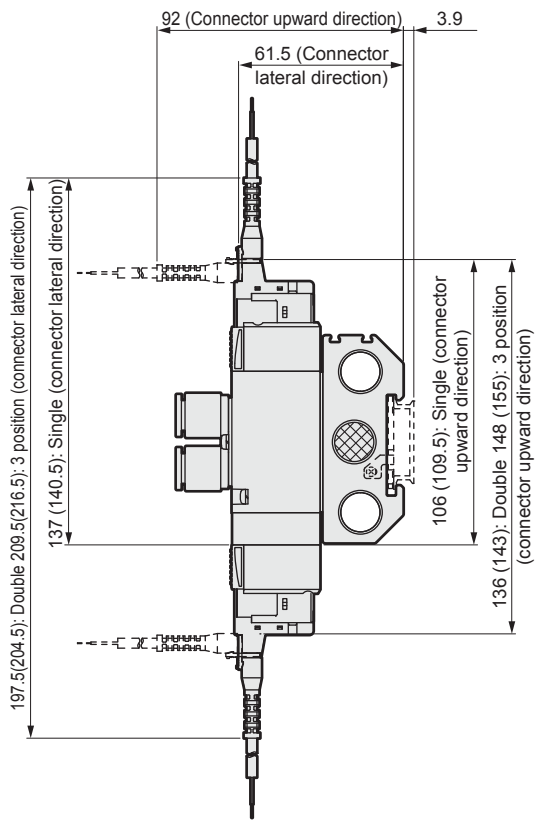
Note: Values in ( ) apply for 100 VAC.

Station no.	2	3	4	5	6	7	8	9	10	11	12	13	14	15	16	17	18	19	20
L	62.0	81.0	100.0	119.0	138.0	157.0	176.0	195.0	214.0	233.0	252.0	271.0	290.0	309.0	328.0	347.0	366.0	385.0	404.0
L <sub>1</sub>	50.0	69.0	88.0	107.0	126.0	145.0	164.0	183.0	202.0	221.0	240.0	259.0	278.0	297.0	316.0	335.0	354.0	373.0	392.0
L <sub>2</sub>	112.5	125.0	150.0	162.5	187.5	200.0	225.0	237.5	262.5	275.0	300.0	312.5	337.5	350.0	375.0				
L <sub>3</sub>	100.0	112.5	137.5	150.0	175.0	187.5	212.5	225.0	250.0	262.5	287.5	300.0	325.0	337.5	362.5				

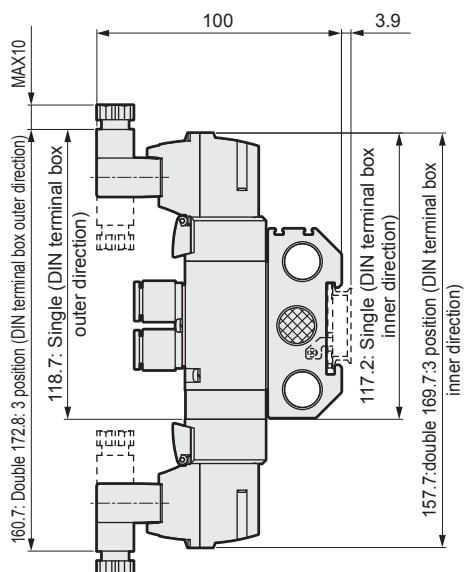


## Dimensions

- EJ type connector type (E\*\*J)



- DIN terminal box type (B)



Note: The DIN terminal box assembly is shipped facing inward.

4G/A/B

M4G/A/B

MN4G/A/B

4G/A/B  
Master valve

4G/D/E

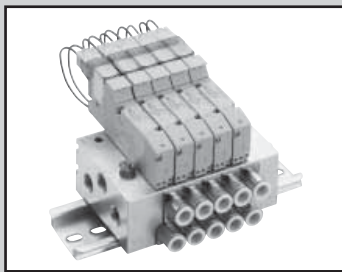
M4G/D/E

MN4G/D/E

Technical data

Safety  
precautions

Manifold  
Specifications



Individual wiring manifold  
Base piping  
Direct mount type/DIN rail mount type

# M3GE1,2/M4GE1, 2, 3-(D) Series

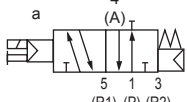
● Applicable cylinder bore size:  $\phi 20$  to  $\phi 100$



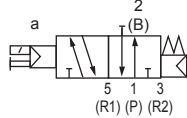
4GAB  
M4GAB/B  
MN4GAB/B  
4GAB  
Master valve  
4GD/E  
M4GD/E  
MN4GD/E  
Technical data  
Safety  
precautions  
Manifold  
Specifications

## JIS symbol

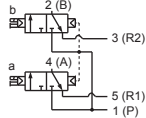
- 3 port valve  
2-position single N.C. type



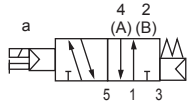
- 2-position single N.O. type



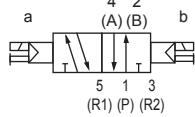
- Dual 3 port valve integrated type  
(A side valve: N.C. type, B side valve: N.C. type)



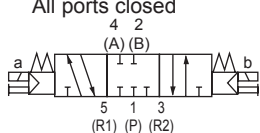
- 5 port valve  
2-position single



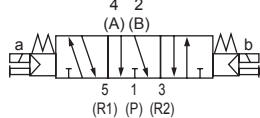
- 2-position double



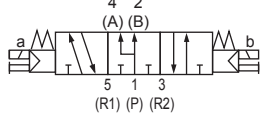
- 3-position  
All ports closed



- 3-position A/B/R Connection



- 3-position P/A/B Connection



## Manifold common specifications

Descriptions		
Manifold type		Integrated base
Mounting method		Direct mount type/DIN rail mount type
Supply and exhaust method		Common supply/common exhaust (malfunction prevention valve integrated)
Pilot exhaust method	Internal pilot	Main valve/pilot valve common exhaust (Standard) (Pilot exhaust check valve integrated)
Piping direction		Base part lateral direction
Valve type and operation		Pilot operated type soft spool valve
Working fluid		Compressed air
Max. working pressure	MPa	0.7
Min. working pressure	MPa	0.2
Withstanding pressure	Mpa	1.05
Ambient temperature	°C	-5 to 55 (no freezing)
Fluid temperature	°C	5 to 55
Manual operating device		Non-locking/locking common type
Lubrication	Note 1	Not required
Degree of protection	Note 2	Dust proof
Vibration/shock	m/s <sup>2</sup>	50 or less/300 or less
Working environment		Containing corrosive gas is not permissible

Note 1 Use the turbine oil Class 1 ISO VG32 if lubricated. Excessive or intermittent lubrication results in unstable operation.

Note 2 Avoid water drops or oil, etc. during use. IP65 (jet-proof type) applies for DIN terminal box specifications. Note that the specified adaptive cord outer diameter and tightening torque must be used for fixing.

## Electrical specification

Descriptions	Rated voltage				
	24 VDC	12 VDC	100 VAC	200 VAC	
Voltage fluctuation range	±10%				
Holding current	A Note 3	0.015 (0.017)	0.030 (0.034)	0.009 (0.009)	0.006 (0.006)
Power consumption	W Note 3	0.35 (0.40)		-	
Apparent power	VA Note 3 Note 4	-		0.93 (0.98)	1.26
Thermal class	B				
Surge suppressor	Option				
Indicator	Light (option)				

Note 3 Values in ( ) apply when a light is attached.

Note 4 200 VAC is the DIN terminal box (with light) value .

## Individual specifications

Descriptions	M3GE1/M4GE1		M3GE2/M4GE2		M4GE3	
	Direct mount	DIN rail mount	Direct mount	DIN rail mount	Direct mount	DIN rail mount
Max. station no.	Standard (Internal pilot) 20 stations		16 stations		20 stations	
Port size	A/B port		Push-in fitting $\phi 4$ , $\phi 6$ M5		Push-in fitting $\phi 6$ , $\phi 8$ , $\phi 10$ Rc1/4	
	P/R1/R2 port		Rc1/8		Rc1/4	
Manifold base formula (n: station no.)	g	35n+61	36n+115	71n+106	73n+134	113n+170
					115n+119	

Refer to "Cautions for Mounting the DIN Rail" (page 630) , and select the manifold.

For 10 or over manifold station no. (5 stations for 4G3), use ports on both sides for air supply and exhaust.

The manifold base weight is the value for screw specifications.

# M3GE1, 2/M4GE1, 2, 3 Series

Individual wiring manifold; base piping

## Flow characteristics

Model no.	Valve Position	P→A/B		A/B→R1/R2		
		C (dm <sup>3</sup> /(s·bar))	b	C (dm <sup>3</sup> /(s·bar))	b	
M3GE1 M4GE1	Dual 3 port valve integrated type	0.86	0.35	1.1 (0.67)	0.22 (0.23)	
	2-position	1.1	0.22	1.2 (0.70)	0.20 (0.10)	
	3-position	All ports closed	0.98	0.22	1.1 -	0.24 -
		ABR connection	0.97	0.35	1.3 (0.68)	0.22 (0.24)
	PAB connection	1.1	0.38	1.1 -	0.21 -	
M3GE2 M4GE2	Dual 3 port valve integrated type	1.7	0.44	2.1 (1.6)	0.32 (0.30)	
	2-position	2.4	0.34	2.7 (1.7)	0.24 (0.31)	
	3-position	All ports closed	2.2	0.34	2.4 -	0.29 -
		ABR connection	2.2	0.34	2.8 (1.8)	0.24 (0.27)
	PAB connection	2.4	0.29	2.4 -	0.29 -	
M4GE3	2-position	3.5	0.34	3.8 (2.6)	0.11 (0.27)	
	3-position	All ports closed	3.1	0.33	3.3 -	0.22 -
		ABR connection	3.0	0.30	3.8 (2.7)	0.11 (0.22)
		PAB connection	3.6	0.36	3.3 -	0.28 -

Note 1: Effective sectional area S and sonic conductance C are converted as  $S \approx 5.0 \times C$ .  
 Note 2: Values in ( ) apply when a check valve is attached.

Ozone proof specifications / Cutting oil proof specifications

Select the option "A" of (E) in how to order on page 418.

Specifications for secondary battery

- In order to be applicable for secondary battery manufacturing process, confine materials for air passage and sliding section

\*\* - Voltage - **P4**

4GAB

M4GAB

MN4GAB

4GAB  
Master valve

4GD/E

M4GD/E

MN4GD/E

Technical data

Safety  
precautions

Manifold  
Specifications

# M4GE1, 2, 3 Series

Individual wiring manifold; base piping

## How to order

Manifold model no.

**M** 4GE1 1 0R - C6 - E2 H D - - - 3

3 port manifold model no.

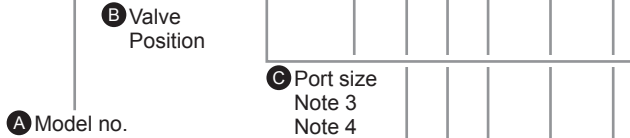
**M** 3GE1 1 0R - C6 - E2 H D - - - 3

Discrete valve for mounting base

4GE1 1 9R - 00 - E2 H - - - 3

3 port discrete valve for mounting base

3GE1 1 9R - 00 - E2 H - - - 3



### Note on model no. selection

- Note 1 Select M4GE\*80R when mixing with 3, 5 port valves. Select M3GE\*80R when mixing with the masking plate.
- Note 2 Dimensions are the same as the respective 2-position double.
- Note 3 CL\* push-in fitting L type is available only for the single solenoid manifold. The port A is a long elbow and the port B is short elbow.
- Note 4 A/B port sizes do not differ for the push-in fitting L type.
- Note 5 3-position all ports closed and PAB connection are not provided with malfunction prevention valve (H). Refer to page 628 for details on malfunction prevention valve.
- Note 6 The P port has a filter built inside as a standard.
- Note 7 Specify the spacer mounting position and quantity in manifold specifications. Stacking multiple spacers is not supported. Combination with the masking plate is not supported. Refer to page 472 to 476 for details.
- Note 8 The direct mount type of M4GE1 cannot be changed to the DIN rail mount type after purchase.

\*Always indicate "Manifold specifications" (page 490 to 492).

		A Model no.				
		3GE1	3GE2	4GE1	4GE2	4GE3
Symbol	Descriptions					
B Valve Position						
1	2-position single			●	●	●
2	2-position double			●	●	●
3	3-position all ports closed			●	●	●
4	3-position ABR connection			●	●	●
5	3-position PAB connection			●	●	●
66	Dual 3 port valve integrated type Note 1, 2	●	●			
		A side valve: Normally closed				
		B side valve: Normally closed				
8	Mix manifold (In case of multiple Valve Positions)	●	●	●	●	●
C Port size						
Port	4 (A) / 2 (B) port	P/R1/R2 port (2) = Rc1/8 (3) = Rc1/4 (4) = Rc3/8				
C4	φ4 push-in fitting	(2)	(3)	(2)	(3)	
C6	φ6 push-in fitting	(2)	(3)	(2)	(3)	(4)
C8	φ8 push-in fitting		(3)		(3)	(4)
C10	φ10 push-in fitting					(4)
CL4	L type φ4 push-in fitting (upward)			(2)		
CL6	L type φ6 push-in fitting (upward)			(2)	(3)	
CL8	L type φ8 push-in fitting (upward)				(3)	(4)
CL10	L type φ10 push-in fitting (upward)					(4)
CD4	L type φ4 push-in fitting (downward)	(2)		(2)		
CD6	L type φ6 push-in fitting (downward)	(2)	(3)	(2)	(3)	
CD8	L type φ8 push-in fitting (downward)		(3)		(3)	(4)
CD10	L type φ10 push-in fitting (downward)					(4)
CX	Push-in fitting mix	(2)	(3)	(2)	(3)	(4)
M5	M5	(2)		(2)		
06	Rc1/8		(3)		(3)	
08	Rc1/4					(4)
00	Discrete valve for mounting base	●	●	●	●	●
D Electrical connections						
Refer to the next page for wire connections.						
E Option						
Blank	Non-locking/locking common manual override	●	●	●	●	●
H	With malfunction prevention valve Note 5	●	●	●	●	●
A	Ozone/cutting oil proof	●	●	●	●	●
F	A/B port filter integrated Note 6	●	●	●	●	●
Z1	Air supply spacer Note 7	●	●	●	●	●
Z2	In stop valve spacer Note 7	●	●	●	●	●
Z3	Exhaust spacer Note 7	●	●	●	●	●
F Mount type						
Blank	Direct mount type Note 8	●	●	●	●	●
D	DIN rail mount type	●	●	●	●	●
G Pilot exhaust method						
Blank	Common exhaust type (Pilot exhaust check valve integrated)	●	●	●	●	●
C	Open type (Individual wiring only)	○	○	○	○	○
H Station no.						
2	2 stations					
to	to	●	●	●	●	●
20	Refer to page 416 for the max. station no. for each model.					
I Voltage						
1	100 VAC (rectifier integrated)	●	●	●	●	●
2	200 VAC (rectifier integrated) Note 9		●		●	●
3	24 VDC	●	●	●	●	●
4	12 VDC	●	●	●	●	●

is not available.  
○ Contact CKD for price and availability.

(Electrical connection list)

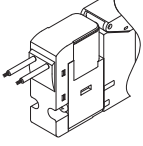
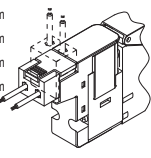
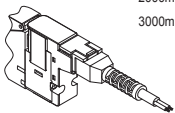
		A Model No.				
		3GE1	3GE2	4GE1	4GE2	4GE3
<b>D Electrical connections</b>						
<b>Blank</b>	Grommet lead wire (300 mm)	Note 10	●	●	●	●
<b>B</b>	DIN terminal box (Pg7) with surge suppressor/light	Note 11		●		●
<b>BN</b>	DIN terminal box (Pg7) (without terminal box) with surge suppressor	Note 11		●		●
<b>E type connector (upward/lateral direction common)</b>						
<b>E0</b>	Lead wire (300 mm)	Note 12	●	●	●	●
<b>E00</b>	Lead wire (500mm)	Note 12	●	●	●	●
<b>E01</b>	Lead wire (1000mm)	Note 12	●	●	●	●
<b>E02</b>	Lead wire (2000mm)	Note 12	●	●	●	●
<b>E03</b>	Lead wire (3000mm)	Note 12	●	●	●	●
<b>E0N</b>	Without lead wire (without socket)	Note 12	●	●	●	●
<b>E1</b>	Without lead wire (with socket/terminal)	Note 12	●	●	●	●
<b>E2</b>	Lead wire (300mm) with surge suppressor/light		●	●	●	●
<b>E20</b>	Lead wire (500mm) with surge suppressor/light		●	●	●	●
<b>E21</b>	Lead wire (1000mm) with surge suppressor/light		●	●	●	●
<b>E22</b>	Lead wire (2000mm) with surge suppressor/light		●	●	●	●
<b>E23</b>	Lead wire (3000mm) with surge suppressor/light		●	●	●	●
<b>E2N</b>	Without lead wire (without socket) with surge suppressor/light		●	●	●	●
<b>E3</b>	Without lead wire (with socket/terminal) with surge suppressor/light		●	●	●	●
<b>EJ type connector (socket with cover, upward/lateral direction common)</b>						
<b>E01J</b>	Lead wire (1000mm)	Note 12	●	●	●	●
<b>E02J</b>	Lead wire (2000mm)	Note 12	●	●	●	●
<b>E03J</b>	Lead wire (3000mm)	Note 12	●	●	●	●
<b>E21J</b>	Lead wire (1000mm) with surge suppressor/light		●	●	●	●
<b>E22J</b>	Lead wire (2000mm) with surge suppressor/light		●	●	●	●
<b>E23J</b>	Lead wire (3000mm) with surge suppressor/light		●	●	●	●

Note 9 Only the DIN terminal box are supported. Dual 3 port valve integrated type is not available.

Note 10 Grommet lead wire specifications are only for 12/24 VDC voltage.

Note 11 The light is also attached to the terminal box.

Note 12 AC voltage comes with a rectifier circuit.

Electrical connections	
Discrete valve/individual wiring manifold	
<b>Blank</b>	Grommet lead wire
<b>E1</b> <b>E3</b>	E type connector with socket terminal
● Lead wire length 300mm	
<b>E0</b> <b>E2</b>	E type connector
<b>B</b>	DIN terminal box
● Lead wire length 300mm 500mm 1000mm 2000mm 3000mm	
<b>E0N</b> <b>E2N</b>	E type connector without socket
<b>BN</b>	DIN terminal box (without terminal box)
<b>E0*J</b> <b>E2*J</b>	EJ type connector
● Lead wire length 1000mm 2000mm 3000mm	

4GAB

M4GAB

MN4GAB

4GAB  
Master valve

4GD/E

M4GD/E

MN4GD/E

Technical data

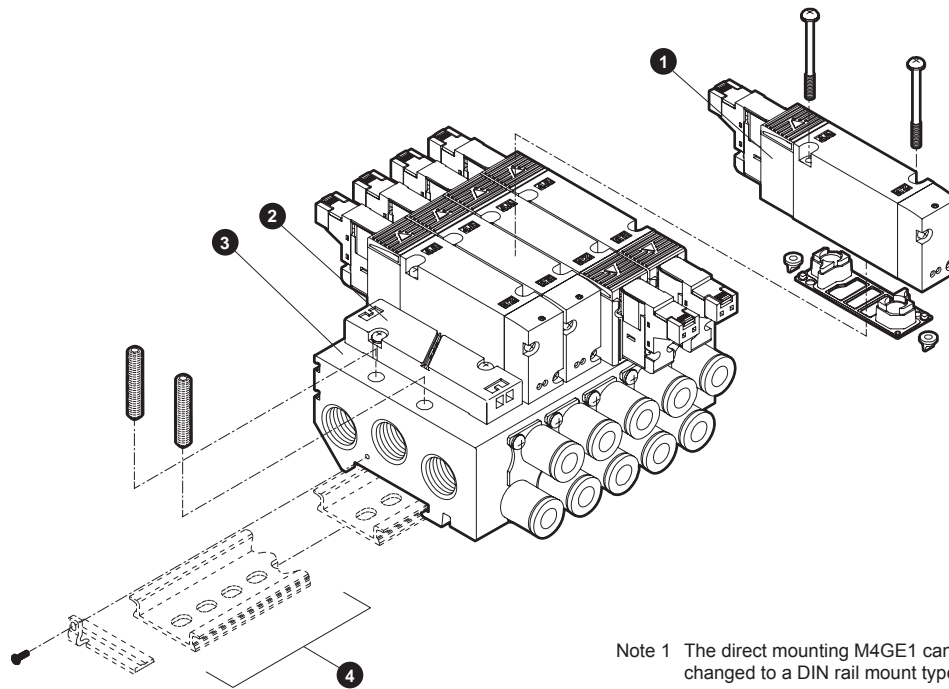
Safety  
precautions

Manifold  
Specifications

# M4GE1, 2, 3 Series

Individual wiring manifold; base piping

## Manifold components explanation and parts list



Note 1 The direct mounting M4GE1 cannot be changed to a DIN rail mount type.

### Main components list

No.	Component name	Model no.	Descriptions	Remarks
1	Discrete valve for mounting base	4GE ** 9R -00 <small>Electrical connections</small> <small>Option</small> <small>Voltage</small> <small>Valve Position</small> <small>Series flow rate size</small>	Discrete valve Gasket Set screw 2 (PR check valve 2)	Details on page 418
2	Masking plate	3G1 & 4G1 4G1R-MP 3G2 & 4G2 4G2R-MP 3G3 & 4G3 4G3R-MP	Masking plate Gasket Set screw 2	* 3G3 and 4G3 have two PR check valves.
3	Manifold base assembly	M4GB * R - <small>Connection Port size</small> - <small>Option</small> - D <small>Station no.</small> <small>Series flow rate size</small> <small>Mount type</small>	Manifold base	Even if the mount type "D" is selected, the DIN rail kit shall be prepared separately.
4	DIN rail kit			Details on page 481

### Parts list

No.	Parts name	Model no.	No.	Parts name	Model no.	
-	Coil assembly	4GR - <small>Power supply connection</small> * - COIL - <small>Voltage</small> <small>Blank: Standard</small> <small>A: Ozone/cutting oil proof</small> <small>Page 419 © Select from Electrical connections</small>	-	Cartridge type push-in fitting and related parts	4G1	φ4 straight type 4G1R-JOINT-C4
-	E type connector socket assembly	4GR-SOCKET-ASSY- <small>Electric wire Connection</small> - <small>Voltage</small>	-		4G1	φ6 straight type 4G1R-JOINT-C6
-	EJ type connector socket assembly	4GR-SOCKET-ASSY- <small>Electric wire Connection</small>	-		4G1	φ4 elbow type 4G1R-JOINT-CL4, CLL4
					4G1	φ6 elbow type 4G1R-JOINT-CL6, CLL6
					4G1	Plug cartridge 4G1R-JOINT-CPG
					4G2	φ4 straight type 4G2R-JOINT-C4
					4G2	φ6 straight type 4G2R-JOINT-C6
					4G2	φ8 straight type 4G2R-JOINT-C8
					4G2	φ6 elbow type 4G2R-JOINT-CL6, CLL6
					4G2	φ8 elbow type 4G2R-JOINT-CL8, CLL8
					4G2	Plug cartridge 4G2R-JOINT-CPG
					4G3	φ6 straight type 4G3R-JOINT-C6
					4G3	φ8 straight type 4G3R-JOINT-C8
					4G3	φ10 straight type 4G3R-JOINT-C10
					4G3	φ8 elbow type 4G3R-JOINT-CL8, CLL8
				4G3	φ10 elbow type 4G3R-JOINT-CL10, CLL10	
				4G3	Plug cartridge 4G3R-JOINT-CPG	

---

# MEMO

---

4GAB	M4GAB	MN4GAB	4GAB Master valve	4GD/E	M4GD/E	MN4GD/E	Technical data	Safety precautions	Manifold Specifications
------	-------	--------	----------------------	-------	--------	---------	----------------	-----------------------	----------------------------

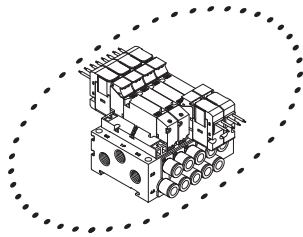
# M4GE1 Series

Individual wiring manifold; base piping

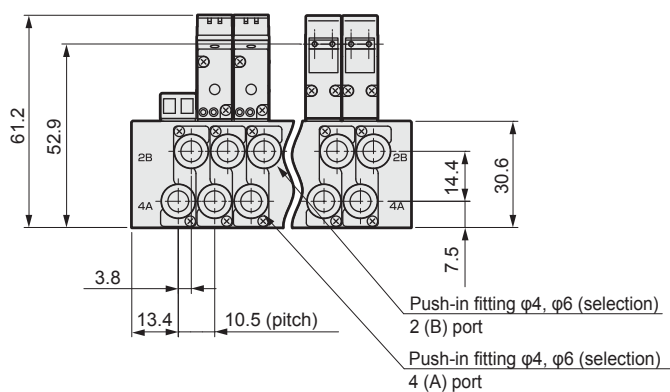
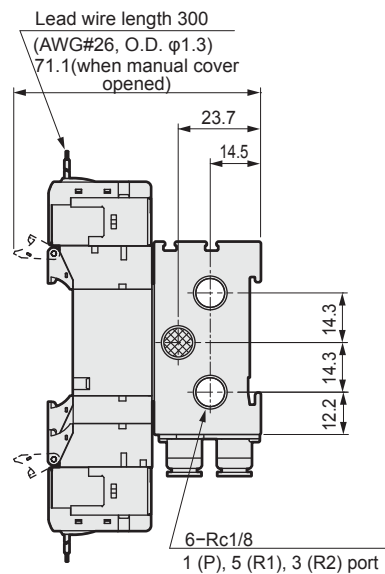
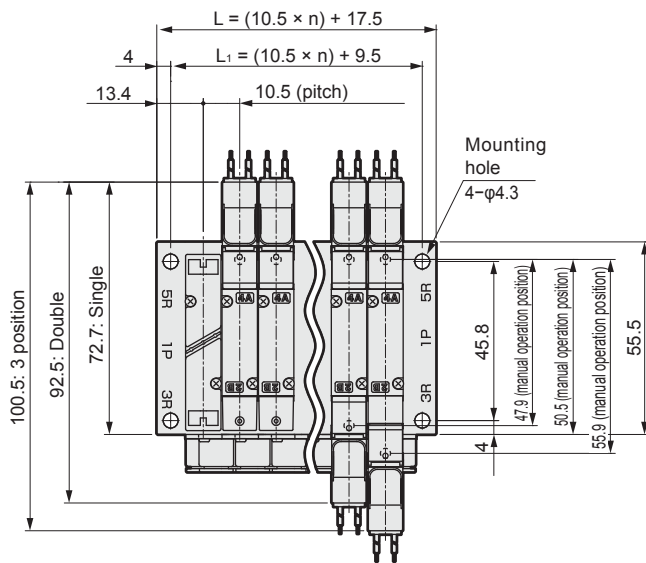
Dimensions 

## M4GE1

- Direct mount installation
- Grommet lead wire (blank)



- Note 1 This is dedicated to direct mount.  
It cannot be changed to DIN rail specifications.
- Note 2 The dimension of dual 3 port valve integrated type is the same as that of the double type.

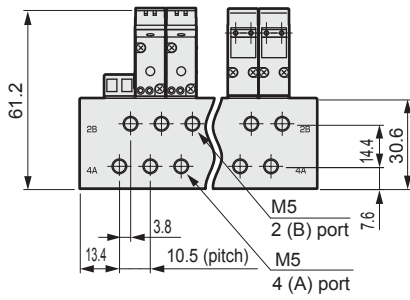
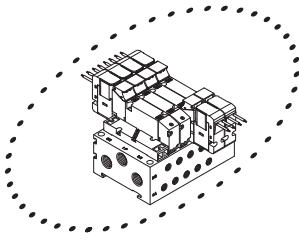


Station no.	2	3	4	5	6	7	8	9	10	11	12	13	14	15	16	17	18	19	20
L	38.5	49.0	59.5	70.0	80.5	91.0	101.5	112.0	122.5	133.0	143.5	154.0	164.5	175.0	185.5	196.0	206.5	217.0	227.5
L <sub>1</sub>	30.5	41.0	51.5	62.0	72.5	83.0	93.5	104.0	114.5	125.0	135.5	146.0	156.5	167.0	177.5	188.0	198.5	209.0	219.5

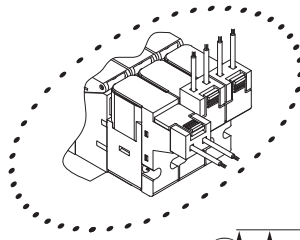


## Dimensions

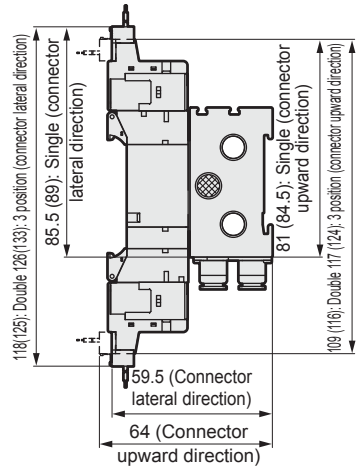
● M5 female thread type (M5)



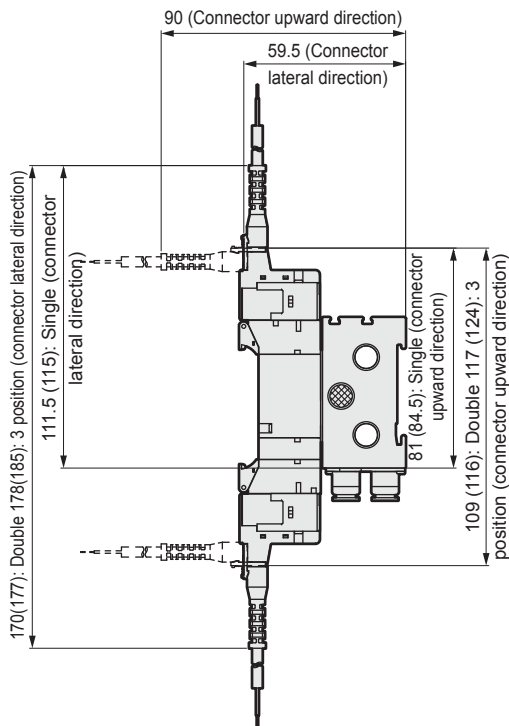
● E type connector type (E)



Note: Values in ( ) apply for 100 VAC.



● EJ type connector type (E\*\*J)



4GAB

M4GA/B

MN4GA/B

4GAB  
Master valve

4GD/E

M4GD/E

MN4GD/E

Technical data

Safety  
precautions

Manifold  
Specifications

# M4GE1-D Series

Individual wiring manifold; base piping

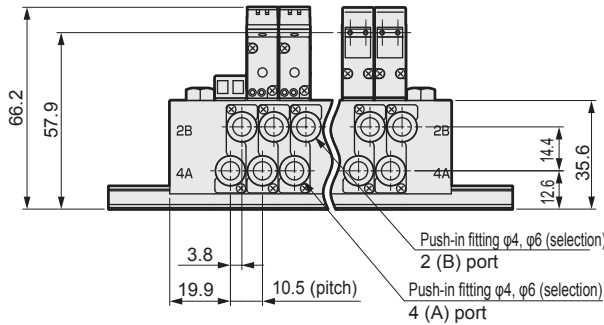
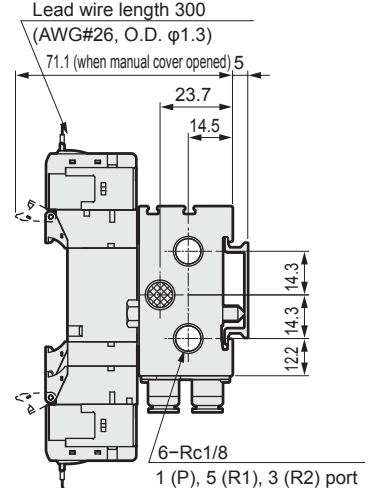
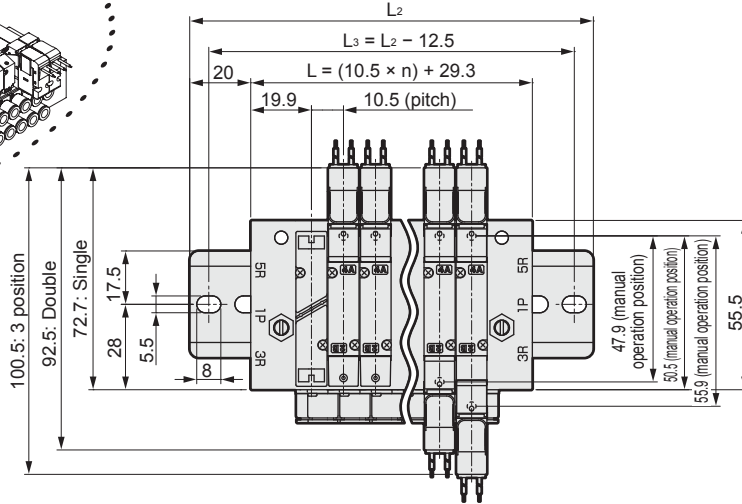
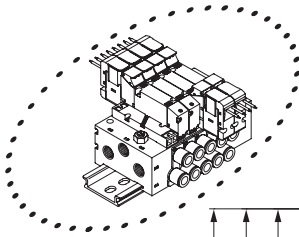
## Dimensions



### M4GE1

- DIN rail installation (D)  
Grommet lead wire (blank)

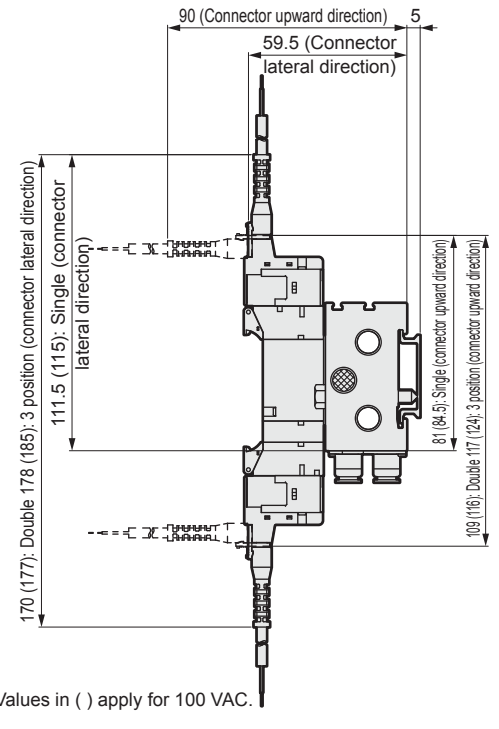
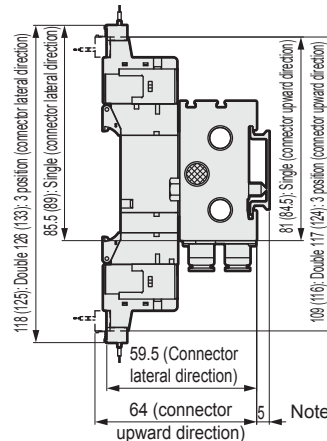
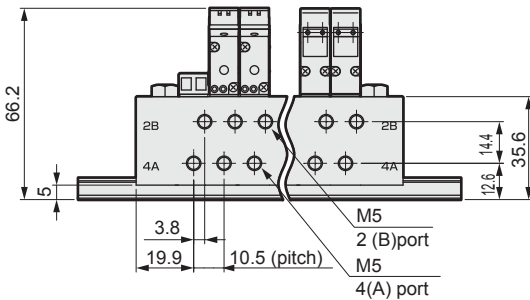
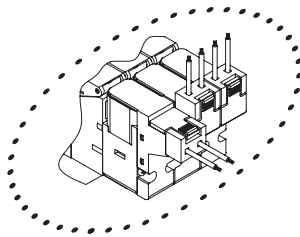
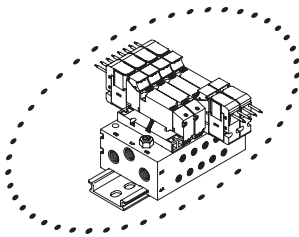
- Note 1 Can be changed to direct mounting.  
Note 2 The dimension of dual 3 port valve integrated type is the same as that of the double type.



- DIN rail installation (D)  
M5 female thread type (M5)

- DIN rail installation (D)  
E type connector type (E)

- EJ type connector type (E\*\*J)



Note: Values in ( ) apply for 100 VAC.

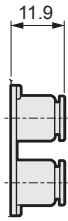
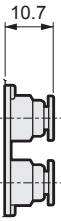
Station no.	2	3	4	5	6	7	8	9	10	11	12	13	14	15	16
L	50.3	60.8	71.3	81.8	92.3	102.8	113.3	123.8	134.3	144.8	155.3	165.8	176.3	186.8	197.3
L <sub>2</sub>	100.0	112.5	112.5	125.0	137.5	150.0	162.5	175.0	175.0	187.5	200.0	212.5	225.0	237.5	237.5
L <sub>3</sub>	87.5	100.0	100.0	112.5	125.0	137.5	150.0	162.5	162.5	175.0	187.5	200.0	212.5	225.0	225.0

## Dimensions

● Fitting straight

●  $\phi 4$  (C4)

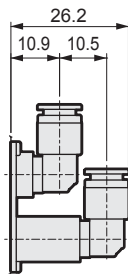
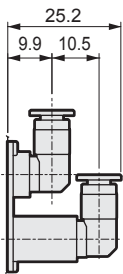
●  $\phi 6$  (C6)



● Fitting L type (upward)

●  $\phi 4$  (CL4)

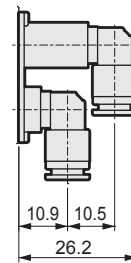
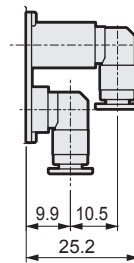
●  $\phi 6$  (CL6)



● Fitting L type (downward)

●  $\phi 4$  (CD4)

●  $\phi 6$  (CD6)



4GAB

M4GA/B

MN4GA/B

4GAB  
Master valve

4GD/E

M4GD/E

MN4GD/E

Technical data

Safety  
precautions

Manifold  
Specifications

# M4GE2 Series

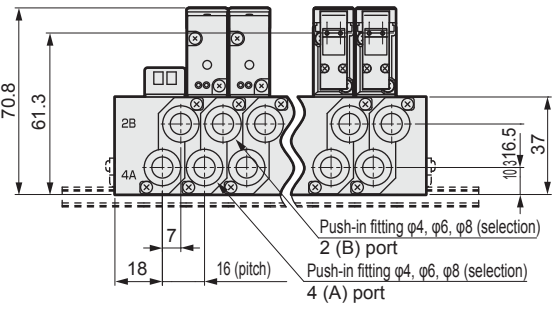
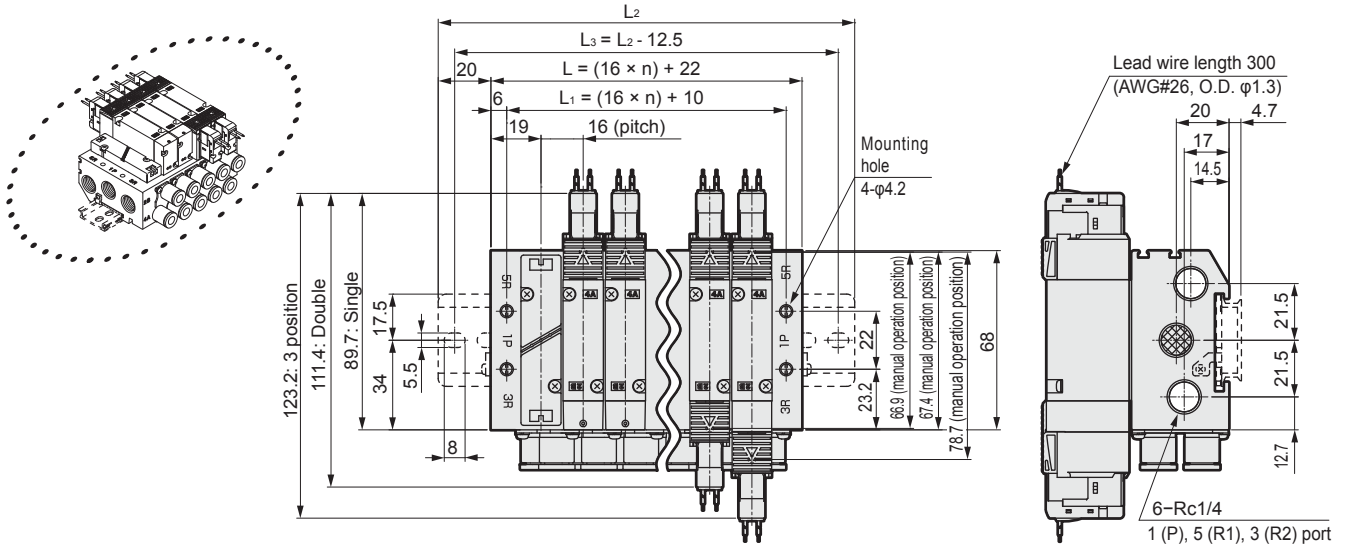
Individual wiring manifold; base piping

Dimensions 

## M4GE2

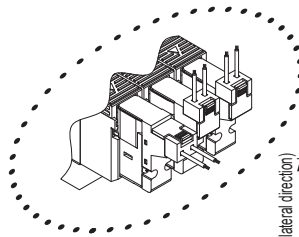
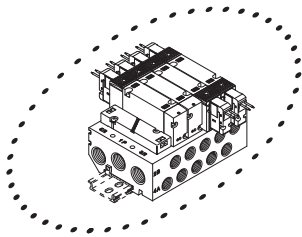
- Grommet lead wire (blank)

Note The dimension of dual 3 port valve integrated type is the same as that of the double type.

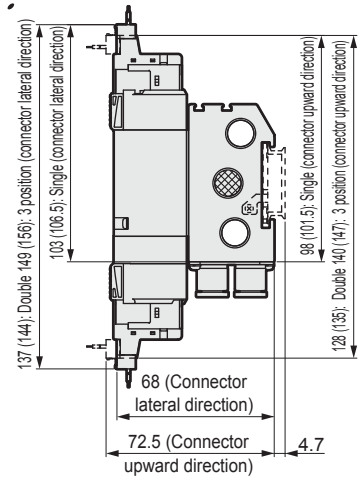
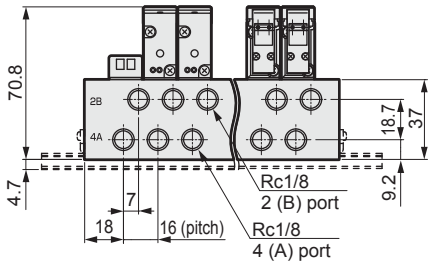


- Rc1/8 female thread type (06)

- E type connector type (E)



Note: Values in ( ) apply for 100 VAC.

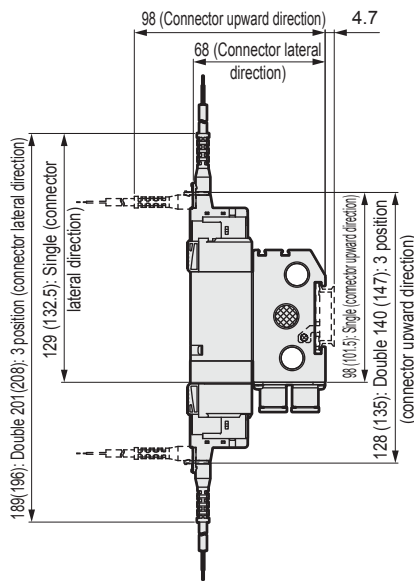


Station no.	2	3	4	5	6	7	8	9	10	11	12	13	14	15	16	17	18	19	20
L	54.0	70.0	86.0	102.0	118.0	134.0	150.0	166.0	182.0	198.0	214.0	230.0	246.0	262.0	278.0	294.0	310.0	326.0	342.0
L <sub>1</sub>	42.0	58.0	74.0	90.0	106.0	122.0	138.0	154.0	170.0	186.0	202.0	218.0	234.0	250.0	266.0	282.0	298.0	314.0	330.0
L <sub>2</sub>	100.0	112.5	137.5	150.0	162.5	175.0	200.0	212.5	225.0	250.0	262.5	275.0	287.5	312.5	325.0				
L <sub>3</sub>	87.5	100.0	125.0	137.5	150.0	162.5	187.5	200.0	212.5	237.5	250.0	262.5	275.0	300.0	312.5				

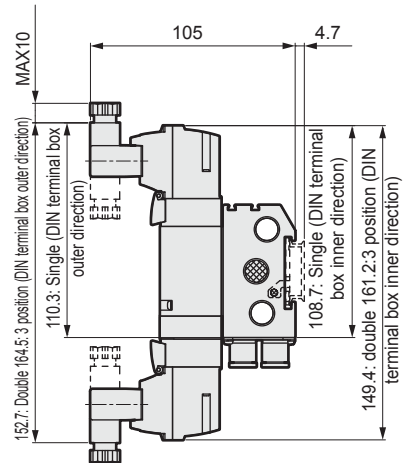
4GAB  
M4GAB  
MN4GAB  
4GAB Master valve  
4GD/E  
M4GD/E  
MN4GD/E  
Technical data  
Safety precautions  
Manifold Specifications

## Dimensions

● EJ type connector type (E\*\*J)



● DIN terminal box type (B)



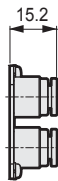
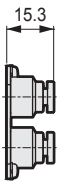
Note: The DIN terminal box assembly is shipped facing inward.

● Fitting straight

●  $\varnothing 4$  (C4)

●  $\varnothing 6$  (C6)

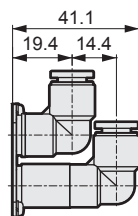
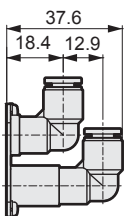
●  $\varnothing 8$  (C8)



● Fitting L type (upward)

●  $\varnothing 6$  (CL6)

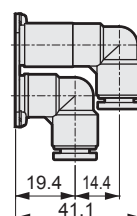
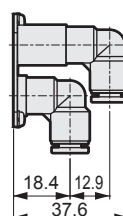
●  $\varnothing 8$  (CL8)



● Fitting L type (downward)

●  $\varnothing 6$  (CD6)

●  $\varnothing 8$  (CD8)



4GAB

M4GAB

MN4GAB

4GAB  
Master valve

4GD/E

M4GD/E

MN4GD/E

Technical data

Safety  
precautions

Manifold  
Specifications

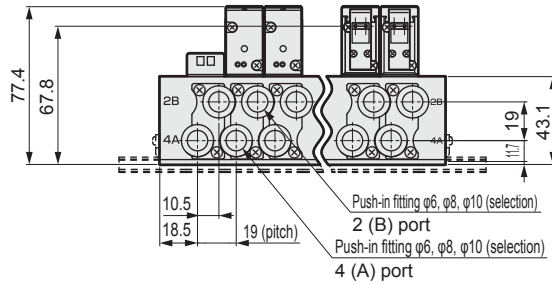
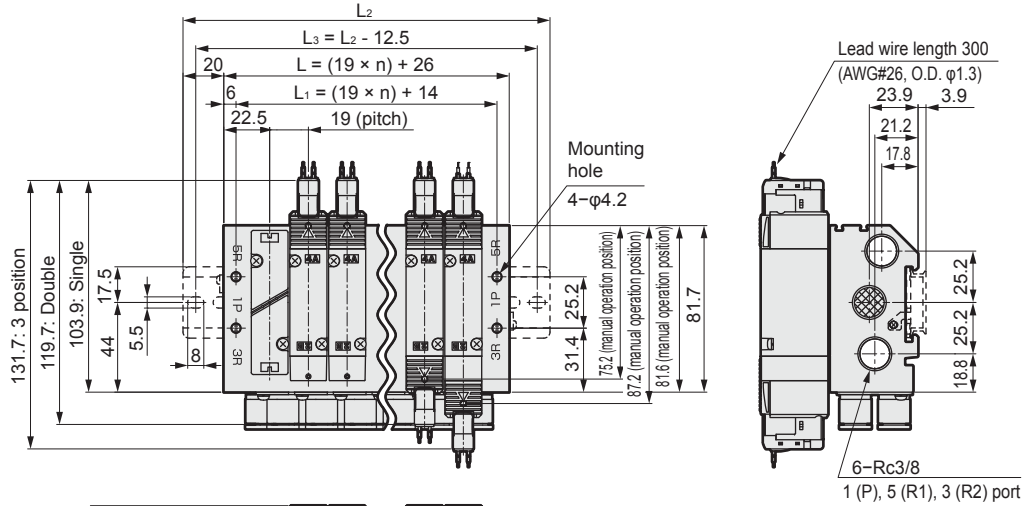
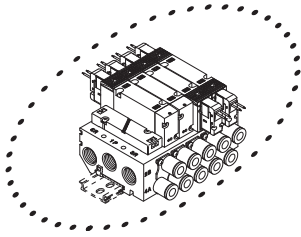
# M4GE3 Series

Individual wiring manifold; base piping

Dimensions 

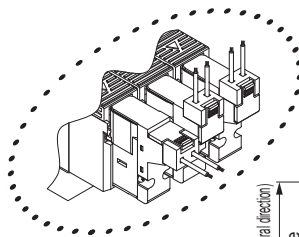
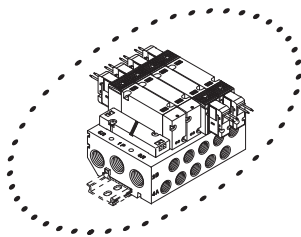
## M4GE3

- Grommet lead wire (blank)

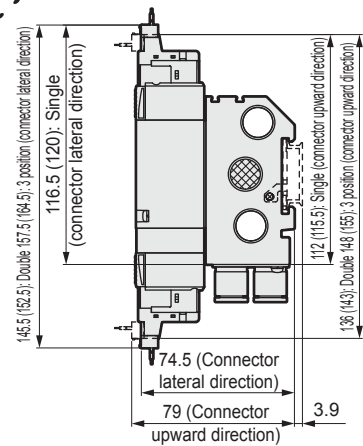
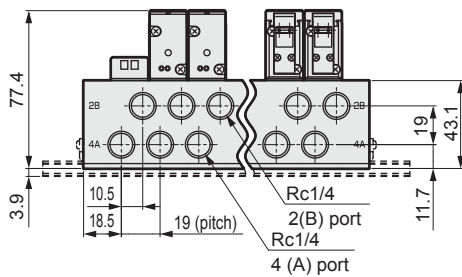


- Rc1/4 female thread type (08)

- E type connector type (E)



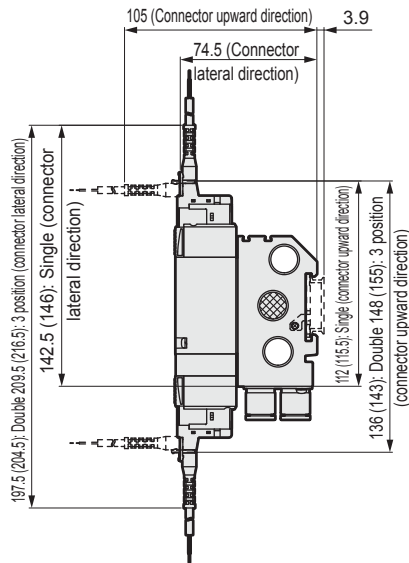
Note: Values in ( ) apply for 100 VAC.



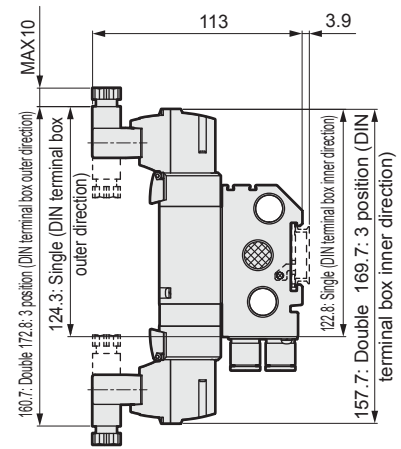
Station no.	2	3	4	5	6	7	8	9	10	11	12	13	14	15	16	17	18	19	20
L	64.0	83.0	102.0	121.0	140.0	159.0	178.0	197.0	216.0	235.0	254.0	273.0	292.0	311.0	330.0	349.0	368.0	387.0	406.0
L <sub>1</sub>	52.0	71.0	90.0	109.0	128.0	147.0	166.0	185.0	204.0	223.0	242.0	261.0	280.0	299.0	318.0	337.0	356.0	375.0	394.0
L <sub>2</sub>	112.5	125.0	150.0	162.5	187.5	200.0	225.0	237.5	262.5	275.0	300.0	325.0	337.5	362.5	375.0				
L <sub>3</sub>	100.0	112.5	137.5	150.0	175.0	187.5	212.5	225.0	250.0	262.5	287.5	312.5	325.0	350.0	362.5				

## Dimensions

● EJ type connector type (E\*\*J)



● DIN terminal box type (B)



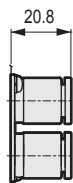
Note: The DIN terminal box assembly is shipped facing inward.

● Fitting straight

●  $\phi 6$  (C6)

●  $\phi 8$  (C8)

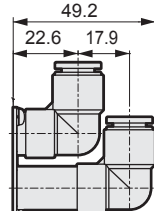
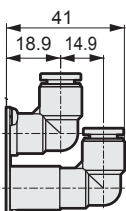
●  $\phi 10$  (C10)



● Fitting L type (upward)

●  $\phi 8$  (CL8)

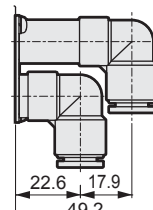
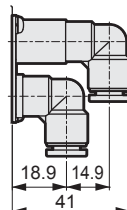
●  $\phi 10$  (CL10)



● Fitting L type (downward)

●  $\phi 8$  (CD8)

●  $\phi 10$  (CD10)



4G/B

M4G/B

MN4G/B

4G/B  
Master valve

4G/D/E

M4G/D/E

MN4G/D/E

Technical data

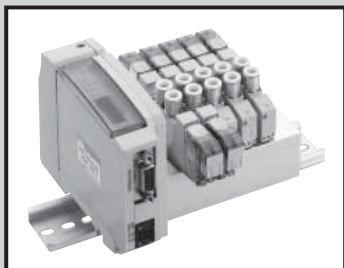
Safety  
precautions

Manifold  
Specifications

Reduced wiring manifold Base piping  
Direct mount type/DIN rail mount type

# M3GD1, 2, 3-T\*(D) Series M4GD1, 2, 3-T\*(D) Series

● Applicable cylinder bore size: φ20 to φ100



4GAB

M4GAB

MN4GAB

4GAB  
Master valve

4GD/E

M4GD/E

MN4GD/E

Technical data

Safety  
precautions

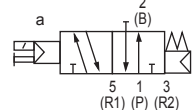
Manifold  
Specifications

## JIS symbol

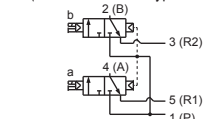
- 3 port valve  
2-position single N.C. type



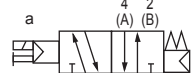
- 2-position single N.O. type



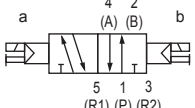
- Dual 3 port valve integrated type  
(A side valve: N.C. type, B side valve: N.C. type)



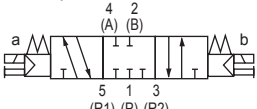
- 5 port valve  
2-position single



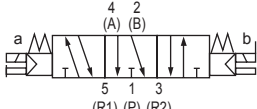
- 2-position double



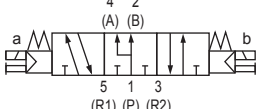
- 3-position  
All ports closed



- 3-position A/B/R connection



- 3-position P/A/B connection



## Manifold common specifications

Descriptions		
Manifold type		Reduced wiring integrated base
Mounting method		Direct mount type/DIN rail mount type
Supply and exhaust method		Common supply/common exhaust (malfunction prevention valve integrated)
Pilot exhaust method	Internal pilot	Main valve/pilot valve common exhaust (Standard) (Pilot exhaust check valve integrated)
Piping direction		Valve top direction
Valve type and operation method		Pilot-operated soft spool valve
Working fluid		Compressed air
Max. working pressure MPa		0.7
Min. working pressure MPa		0.2
Withstanding pressure MPa		1.05
Ambient temperature °C		-5 to 55 (no freezing)
Fluid temperature °C		5 to 55
Manual operating device		Non-locking/locking common type
Lubrication	Note 1	Not required
Degree of protection	Note 2	Dust proof
Vibration/shock	m/s <sup>2</sup>	50 or less / 300 or less
Working environment		Containing corrosive gas is not permissible

Note 1 Use the turbine oil Class 1 ISO VG32 if lubricated. Excessive or intermittent lubrication results in unstable operation.  
Note 2 Avoid water drops or oil, etc. during use.

## Electrical specification

Descriptions	T1*, T30*, T5*		T6*, T8*
	Rated voltage	24 VDC	12 VDC
Voltage fluctuation range Note 3	±10%		+10%, -5%
Holding current A	0.017	0.034	0.017
Power consumption W	0.4		
Thermal class	B		
Surge suppressor	Zener diode		
Indicator	LED		

Note 3 Please note the voltage fluctuation range since the T6\* and T8\* (Serial transmission type) have a voltage drop due to the internal circuit.

## Individual specifications

### Common specifications

Descriptions		M3GD1/M4GD1	M3GD2/M4GD2	M3GD3/M4GD3
Port size	A/B port	Push-in fitting φ4, φ6 M5	Push-in fitting φ4, φ6, φ8 Rc1/8	Push-in fitting φ6, φ8, φ10 Rc1/4
	P/R1/R2 port	Rc1/8	Rc1/4	Rc3/8

### T1\*, T30\*, T5\*

Descriptions	M3GD1/M4GD1		M3GD2/M4GD2		M3GD3/M4GD3	
	Direct mount	DIN rail mount	Direct mount	DIN rail mount	Direct mount	DIN rail mount
Max. station no.	20 stations	16 stations	20 stations	16 stations	16 stations	
Manifold base weight calculation formula (n: station no.)	g	29n+215	31n+228	54n+264	56n+297	84n+320 86n+354

### T6\*

Descriptions	M3GD1/M4GD1	M3GD2/M4GD2	M3GD3/M4GD3
	DIN rail mount	DIN rail mount	DIN rail mount
Max. station no.	16 stations	16 stations	16 stations
Manifold base weight calculation formula (n: station no.)	g	31n+375	56n+444 86n+501

### T8\*

Descriptions	M3GD1/M4GD1		M3GD2/M4GD2		M3GD3/M4GD3	
	Direct mount	DIN rail mount	Direct mount	DIN rail mount	Direct mount	DIN rail mount
Max. station no.	20 stations	16 stations	20 stations	16 stations	16 stations	
Manifold base weight calculation formula (n: station no.)	g	50n+305	52n+332	57n+259	60n+290	150n+384 153n+416

The manifold base weight is the value for screw connection specifications with the DIN rail and electrical block.

The max. station no. of the manifold is limited by the max. number of solenoid for each of the following wiring specifications.



# M<sub>4</sub>GD1, 2, 3-T\* (D) Series

Reduced wiring manifold; base piping

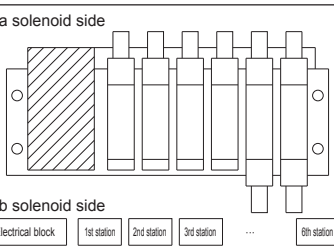
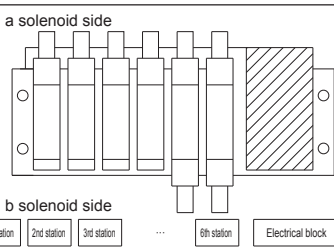
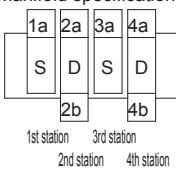
## Flow characteristics

Model no.	Valve Position	P→A/B		A/B→R1/R2		
		C (dm <sup>3</sup> /(s·bar))	b	C (dm <sup>3</sup> /(s·bar))	b	
M3GD1 M4GD1	Dual 3 port valve integrated type	0.86	0.31	1.1 (0.66)	0.19 (0.22)	
	2-position	0.99	0.20	1.2 (0.70)	0.20 (0.12)	
	3-position	All ports closed	0.94	0.23	1.1 -	0.20 -
		ABR connection	0.93	0.18	1.3 (0.70)	0.23 (0.02)
	PAB connection	1.1	0.28	1.1 -	0.23 -	
M3GD2 M4GD2	Dual 3 port valve integrated type	1.7	0.40	2.3 (1.7)	0.29 (0.32)	
	2-position	2.3	0.36	2.9 (1.7)	0.24 (0.33)	
	3-position	All ports closed	2.1	0.35	2.5 -	0.32 -
		ABR connection	2.2	0.37	2.9 (1.8)	0.32 (0.29)
PAB connection		2.4	0.34	2.5 -	0.33 -	
M3GD3 M4GD3	2-position	3.2	0.37	3.8 (2.5)	0.13 (0.28)	
	3-position	All ports closed	2.9	0.35	3.3 -	0.35 -
		ABR connection	3.0	0.34	3.8 (2.6)	0.12 (0.27)
		PAB connection	3.3	0.30	3.3 -	0.32 -

Note 1: Effective sectional area S and sonic conductance C are converted as  $S \approx 5.0 \times C$ .

Note 2: Values in ( ) apply when a malfunction prevention valve is attached.

## Wiring specifications

Descriptions	T10* Common terminal block type	T11* Common terminal block type	T30* D sub-connector	T50* Flat cable 20 pin type	T51* Flat cable 20 pin type	T52* Flat cable 10 pin type	T53* Flat cable 26 pin type																															
Connector and Terminal block specifications	M3 thread tightening type 18 terminals	Push tightening type 26 terminals	D sub-connector 25 pin	MIL-C-83503 standards conformed Pressure welding socket 20 pin	MIL-C-83503 standards conformed Pressure welding socket 20 pin	MIL-C-83503 standards conformed Pressure welding socket 10 pin	MIL-C-83503 standards conformed Pressure welding socket 26 pin																															
Max. number of solenoid	16 points	24 points	24 points	16 points	18 points	8 points	24 points																															
Manifold internal wiring	Details on page 594 to 601																																					
Electrical block position Blank: Left side R: Right side	<b>Left side: T*</b> 			<b>Right side: T*R</b> 																																		
Arrangement type Blank: Standard sequential W: Double wiring	<b>(Example) T50*</b> Manifold specifications 		Standard wiring (sequential): Blank <table border="1"> <tr> <td>Connector pin no.</td> <td>1</td><td>2</td><td>3</td><td>4</td><td>5</td><td>6</td> </tr> <tr> <td>Valve solenoid no.</td> <td>1a</td><td>2a</td><td>2b</td><td>3a</td><td>4a</td><td>4b</td> </tr> </table>		Connector pin no.	1	2	3	4	5	6	Valve solenoid no.	1a	2a	2b	3a	4a	4b	Double wiring: W <table border="1"> <tr> <td>Connector pin no.</td> <td>1</td><td>2</td><td>3</td><td>4</td><td>5</td><td>6</td><td>7</td><td>8</td> </tr> <tr> <td>Valve solenoid no.</td> <td>1a</td><td>Void</td><td>2a</td><td>2b</td><td>3a</td><td>Void</td><td>4a</td><td>4b</td> </tr> </table>		Connector pin no.	1	2	3	4	5	6	7	8	Valve solenoid no.	1a	Void	2a	2b	3a	Void	4a	4b
Connector pin no.	1	2	3	4	5	6																																
Valve solenoid no.	1a	2a	2b	3a	4a	4b																																
Connector pin no.	1	2	3	4	5	6	7	8																														
Valve solenoid no.	1a	Void	2a	2b	3a	Void	4a	4b																														

## Serial transmission slave unit specifications (refer to page 611 for applicable PLC table)

Descriptions	T6G1 Note 1	T6C0 T6C1 Note 2	T6A0 T6A1 Note 3	T6E0 T6E1	T6J0 T6J1 Note 3
Network name	CC-Link	CompoBus/S	UNIWIRESYSTEM	S-LINK	UNIWIRESYSTEM H
Power supply voltage	Unit side: 24 VDC ±10% Valve side: 24 VDC +10% ± -5%	24 VDC +10% ± -5% (Unit power supply/valve power supply common terminal)			
Current consumption	Unit side: 100 mA or less (when all output points are ON) Valve side: 15mA or less (when all output points are OFF)	100 mA or less (when all output points are ON) Load current is not included			
Output points	16 points	T6*: 8 points	T6*: 16 points		
Occupied number	1 station	T6C0: 1 node address (8 point mode) T6C0: 2 node address (8 point mode)	T6A0: Output 8 points T6A1: Output 16 points	T6E0: FAN-in: 3 T6E1: FAN-in: 3	T6J0: Output 8 points T6J1: Output 16 points
Operation display	LED (power supply and communication state)				

Note 1: CC-Link is ver1.10.

Note 2: Long-distance communication mode is not supported. Contact CKD for details on its support.

Note 3: The number of transmission points of 128 points and the transmission distance of 200 m are supported. Contact CKD for other specifications.

## Serial transmission slave unit specifications

Descriptions	T8G1	T8GP1	T8P1	T8PP1	T8EC1	T8ECP1	T8EN1	T8ENP1
	T8G2	T8GP2	T8P2	T8PP2	T8EC2	T8ECP2	T8EN2	T8ENP2
Network name	CC-Link ver1.10		PROFIBUS-DP (V0)		EtherCAT		EtherNet/IP	
Power supply voltage	Unit side: 24 VDC ± 10% Valve side: 24 VDC + 10%, -5%							
Current consumption	Unit side: 60mA or less (when all output points are ON) Valve side: T8*1: 15mA or less (when all output points are ON) T8*2: 20mA or less (when all output points are ON) Load current is not included							
Output points	T8*1: 16 points T8*2: 32 points							
Occupied number	1 station							
Operation display	LED (power supply and communication state)							
Output type	NPN output	PNP output	NPN output	PNP output	NPN output	PNP output	NPN output	PNP output

# M<sup>3</sup><sub>4</sub>GD1, 2, 3-T\* (D) Series

Reduced wiring manifold; base piping

## How to order

Manifold model no.

**M** **4GD1** **1** **0** **R** - **C6** - **T30** **W** **H** **D** - **3**

3 port manifold model no.

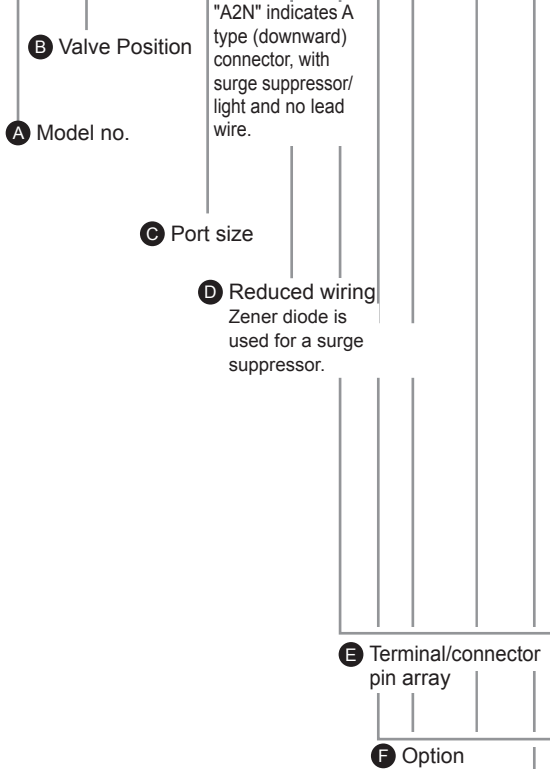
**M** **3GD1** **1** **0** **R** - **C6** - **T30** **W** **H** **D** - **3**

Discrete valve for mounting base

**4GD1** **1** **9** **R** - **C6** - **A2N** **H** - **3**

3 port discrete valve for mounting base

**3GD1** **1** **9** **R** - **C6** - **A2N** **H** - **3**



"A2N" indicates A type (downward) connector, with surge suppressor/light and no lead wire.

B Valve Position

A Model no.

C Port size

D Reduced wiring  
Zener diode is used for a surge suppressor.

E Terminal/connector pin array

F Option

G Mount Type

H Station no.

I Voltage

- Refer to page 597 for cable model no. with D-sub connector.
- Refer to page 593 for cable model no. for flat cable connector.

### ⚠ Note on model no. selection

Note 1 Select M4GD\*80R when mixing with 3, 5 port valves.

Select M3GD\*80R when mixing with the masking plate.

Note 2 Dimensions are the same as the respective 2-position double.

Note 3 Push-in fitting cannot be mixed with the discrete valve's 4 (A) or 2 (B) port.

Note 4 Blank...Wired based on the type of valve used.

W\*...Wired for the double solenoid regardless of the type of valve used.

Note 5 3-position all ports closed and PAB connection are not provided with malfunction prevention valve (H). Refer to page 628 for details on malfunction prevention valve.

Note 6 The P port has a filter built inside as a standard.

Note 7 Specify the spacer mounting position and quantity in manifold specifications. Stacking multiple spacers is not supported. Combination with the masking plate is not supported. Refer to page 472 to 476 for details.

\* Always indicate "Manifold specifications" (page 493 to 504).

Symbol	Descriptions	A Model No.					
		3GD1	3GD2	3GD3	4GD1	4GD2	4GD3
<b>B Valve Position</b>							
1	2-position single				●	●	●
2	2-position double				●	●	●
3	3-position all ports closed				●	●	●
4	3-position ABR connection				●	●	●
5	3-position PAB connection				●	●	●
1	2-position single normally closed Note 1	●	●	●			
11	2-position single normally open Note 1	●	●	●			
66	Dual 3 port valve integrated type Note 1, 2	●	●				
	A side valve: Normally closed						
	B side valve: Normally closed						
8	Mix manifold (In case of multiple Valve Positions)	●	●	●	●	●	●
<b>C Port size</b>							
Port	4 (A) / 2 (B) port	P/R1/R2 port (2) = Rc1/8 (3) = Rc1/4 (4) = Rc3/8					
C4	φ4 push-in fitting	(2)	(3)	(2)	(3)		
C6	φ6 push-in fitting	(2)	(3)	(4)	(2)	(3)	(4)
C8	φ8 push-in fitting		(3)	(4)	(3)	(4)	
C10	φ10 push-in fitting			(4)		(4)	
CX	Push-in fitting mix Note 3	(2)	(3)	(4)	(2)	(3)	(4)
M5	M5	(1)			(1)		
06	Rc1/8		(2)			(2)	
08	Rc1/4			(3)		(4)	
<b>D Reduced wiring connection (light and surge suppressor provided as standard)</b>							
Refer to the next page for wire connections.							
<b>E Terminal and connector pin array</b>							
Blank	Standard wiring Note 4	●	●	●	●	●	●
W	Double wiring Note 4	●	●	●	●	●	●
<b>F Option</b>							
Blank	Non-locking/locking common manual override	●	●	●	●	●	●
H	With malfunction prevention valve Note 5	●	●	●	●	●	●
A	Ozone/cutting oil proof	●	●	●	●	●	●
F	A/B port filter integrated Note 6	●	●	●	●	●	●
Z1	Air supply spacer Note 7	●	●	●	●	●	●
Z2	In stop valve spacer Note 7	●	●	●	●	●	●
Z3	Exhaust spacer Note 7	●	●	●	●	●	●
<b>G Mount type</b>							
Blank	Direct mount type	●	●	●	●	●	●
D	DIN rail mount type	●	●	●	●	●	●
<b>H Station no.</b>							
2	2 stations						
to	to	●	●	●	●	●	●
20	Refer to page 430 for the max. station no. per port size.						
<b>I Voltage</b>							
3	24 VDC	●	●	●	●	●	●
4	12 VDC	●	●	●	●	●	●

# M<sup>3</sup><sub>4</sub>GD1, 2, 3-T\* (D) Series

Reduced wiring manifold; base piping

		A Model no.					
		3GD1	3GD2	3GD3	4GD1	4GD2	4GD3
Symbol	Descriptions						
<b>D Reduced wiring connection (light and surge suppressor provided as standard) 12/24 VDC</b>							
T10	Common terminal block	Left side specifications	●	●	●	●	●
T10R	(M3 thread)	Right side specifications	●	●	●	●	●
T11	Common terminal block	Left side specifications	●	●	●	●	●
T11R	(push tightening)	Right side specifications	●	●	●	●	●
T30	D sub-connector	Left side specifications	●	●	●	●	●
T30R		Right side specifications	●	●	●	●	●
T50	20 pin flat cable connector	Left side specifications	●	●	●	●	●
T50R	(with power supply terminal)	Right side specifications	●	●	●	●	●
T51	20 pin flat cable connector	Left side specifications	●	●	●	●	●
T51R	(without power supply terminal)	Right side specifications	●	●	●	●	●
T52	10 pin flat cable connector	Left side specifications	●	●	●	●	●
T52R	(without power supply terminal)	Right side specifications	●	●	●	●	●
T53	26 pin flat cable connector	Left side specifications	●	●	●	●	●
T53R	(without power supply terminal)	Right side specifications	●	●	●	●	●
<b>D Serial transmission (light and surge suppressor provided as standard) 24 VDC</b>							
T6A0	UNIWIRES SYSTEM	NPN 8 points	●	●	●	●	●
T6A1		NPN 16 points	●	●	●	●	●
T6C0	CompoBus/S	NPN 8 points	●	●	●	●	●
T6C1		NPN 16 points	●	●	●	●	●
T6E0	S-LINK	NPN 8 points	●	●	●	●	●
T6E1		NPN 16 points	●	●	●	●	●
T6G1	CC-Link	NPN 16 points	●	●	●	●	●
T6J0	UNIWIRES H SYSTEM	NPN 8 points	●	●	●	●	●
T6J1		NPN 16 points	●	●	●	●	●
T8G1	CC-Link (Thin type)	NPN 16 points	●	●	●	●	●
T8G2		NPN 32 points	●	●	●	●	●
T8GP1		PNP 16 points	●	●	●	●	●
T8GP2		PNP 32 points	●	●	●	●	●
T8P1		NPN 16 points	●	●	●	●	●
T8P2		NPN 32 points	●	●	●	●	●
T8PP1	PROFIBUS-DP (Thin type)	PNP 16 points	●	●	●	●	●
T8PP2		PNP 32 points	●	●	●	●	●
T8EC1	EtherCAT (Thin type)	NPN 16 points	●	●	●	●	●
T8EC2		NPN 32 points	●	●	●	●	●
T8ECP1		PNP 16 points	●	●	●	●	●
T8ECP2		PNP 32 points	●	●	●	●	●
T8EN1		NPN 16 points	●	●	●	●	●
T8EN2		NPN 32 points	●	●	●	●	●
T8ENP1	EtherNet/IP (Thin type)	PNP 16 points	●	●	●	●	●
T8ENP2		PNP 32 points	●	●	●	●	●
A2N	Without lead wire (without socket)	With surge suppressor/light	●	●	●	●	●

Ozone proof specifications / Cutting oil proof type specifications

Select the option "A" of (F) in how to order on page 432

Specifications for secondary battery

- In order to be applicable for secondary battery manufacturing process, confine materials for air passage and sliding section

\*\* - Voltage - **P4**

4GAB  
M4GAB  
MN4GAB  
4GAB Master valve  
4GD/E  
M4GD/E  
MN4GD/E  
Technical data  
Safety precautions  
Manifold Specifications

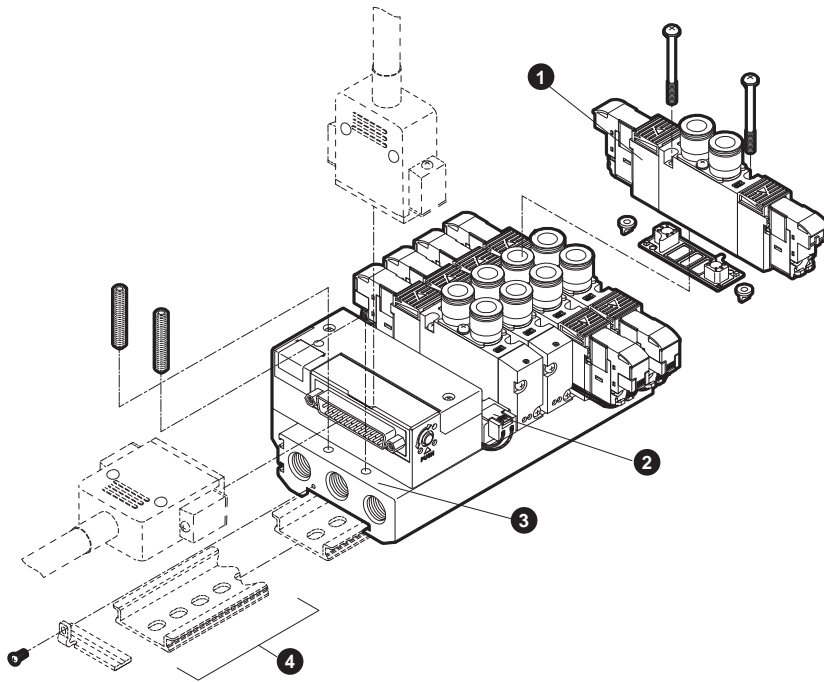
# M4GD1, 2, 3-T\* (D) Series

Reduced wiring manifold; base piping

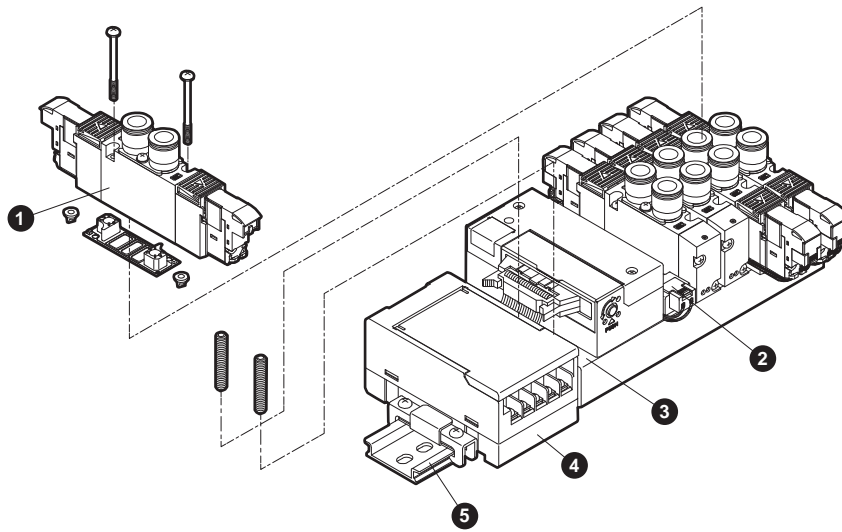
Manifold components explanation and parts list

4GAB
M4GAB
MN4GAB
4GAB Master valve
4GD/E
M4GD/E
MN4GD/E
Technical data
Safety precautions
Manifold Specifications

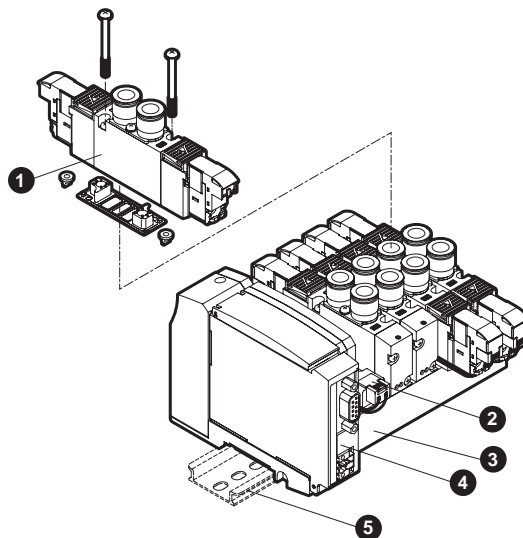
● T30



● T6D



● T8\*



# M<sup>3</sup>GD1, 2, 3-T\* (D) Series

Reduced wiring manifold; body piping; serial transmission

## Main components list

No.	Component name	Model no.	Descriptions	Remarks	
1	Discrete valve for mounting base	4GD ** 9R - <input type="text" value="Port size"/> - A2N <input type="text" value="Option"/> - <input type="text" value="Voltage"/> <div style="margin-left: 20px;"> <input type="text" value="Valve Position"/>  <input type="text" value="Series flow rate size"/> </div>	Discrete valve Gasket Set screw 2 (PR check valve 2)	Details on page 432	
2	Masking plate	3G1 & 4G1	4G1R-MP	Masking plate	* 3G3 & 4G3 has two PR check valves.
		3G2 & 4G2	4G2R-MP	Gasket	
		3G3 & 4G3	4G3R-MP	Set screw 2	
3	Manifold base assembly	M4GA * R-00- <input type="text" value="T56"/> - <input type="text" value="Option"/> - <input type="text" value="Station no."/> <div style="margin-left: 20px;"> <input type="text" value="Series flow rate size"/> </div>	Manifold base Electrical block		
4	Serial transmission slave unit	4GR-OPP3 - <input type="text" value="Wiring method"/>	OPP3	Details on page 448	
		4GR-OPP7 - <input type="text" value="Wiring method"/>	OPP7		
5	DIN rail kit			Details on page 481	

## Parts list

No.	Parts name	Model no.	No.	Parts name	Model no.		
-	Coil assembly	4GR- A2N - * -COIL - <input type="text" value="Voltage"/> <div style="margin-left: 20px;"> Blank: Standard  A: Ozone/cutting oil proof </div>	-	Cartridge type Push-in fitting and related parts	4G1	φ4 straight type	4G1R-JOINT-C4
					4G1	φ6 straight type	4G1R-JOINT-C6
					4G1	Plug cartridge	4G1R-JOINT-CPG
					4G2	φ4 straight type	4G2R-JOINT-C4
					4G2	φ6 straight type	4G2R-JOINT-C6
					4G2	φ8 straight type	4G2R-JOINT-C8
					4G2	Plug cartridge	4G2R-JOINT-CPG
					4G3	φ6 straight type	4G3R-JOINT-C6
					4G3	φ8 straight type	4G3R-JOINT-C8
					4G3	φ10 straight type	4G3R-JOINT-C10
					4G3	Plug cartridge	4G3R-JOINT-CPG
	A type connector socket assembly Details on page Page 613	4G * R - SOCKET-ASSY-A * * - <input type="text" value="Row no."/> <div style="margin-left: 20px;"> Series flow rate size  Blank: Left side, R: Right side  A: aSOL side, B: bSOL side  n: Specify the position of the valve to be connected </div>					

4GAB

M4GAB

MN4GAB

4GAB  
Master valve

4GD/E

M4GD/E

MN4GD/E


Technical data

Safety  
precautions

Manifold  
Specifications

# M4GD1-T\* Series

Reduced wiring manifold; base piping

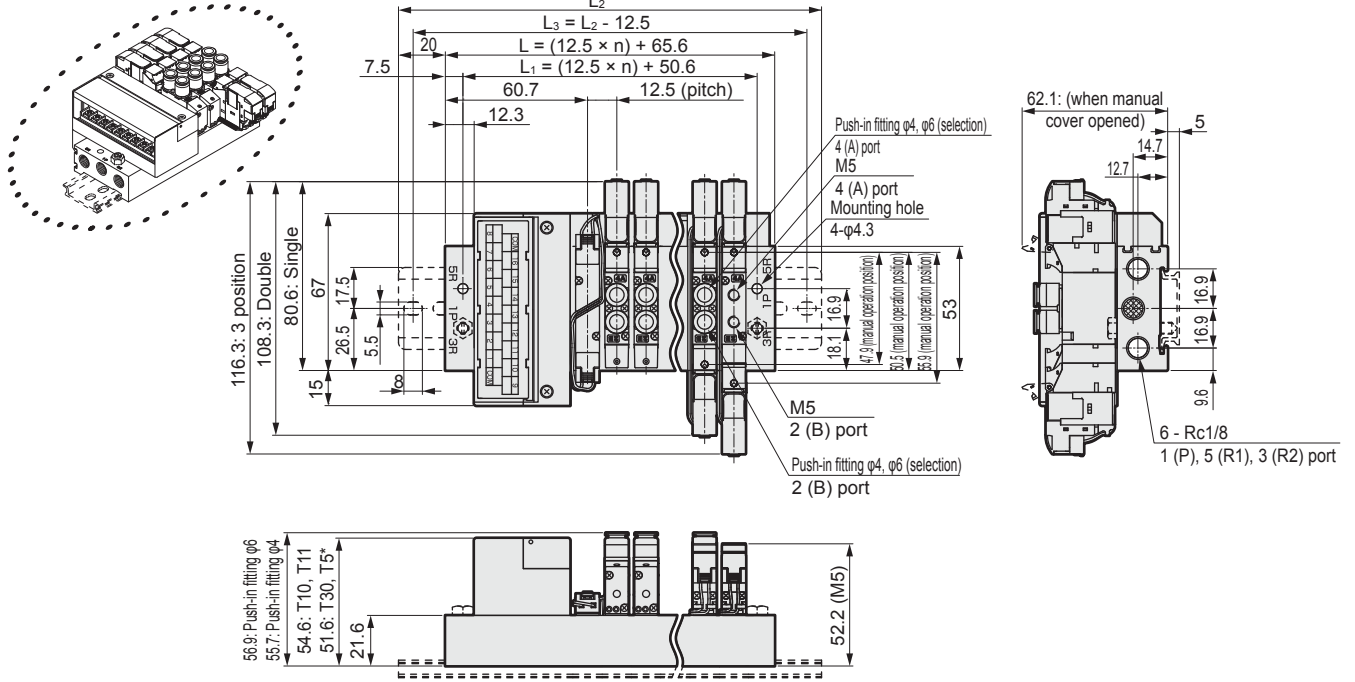
Dimensions 

## M4GD1

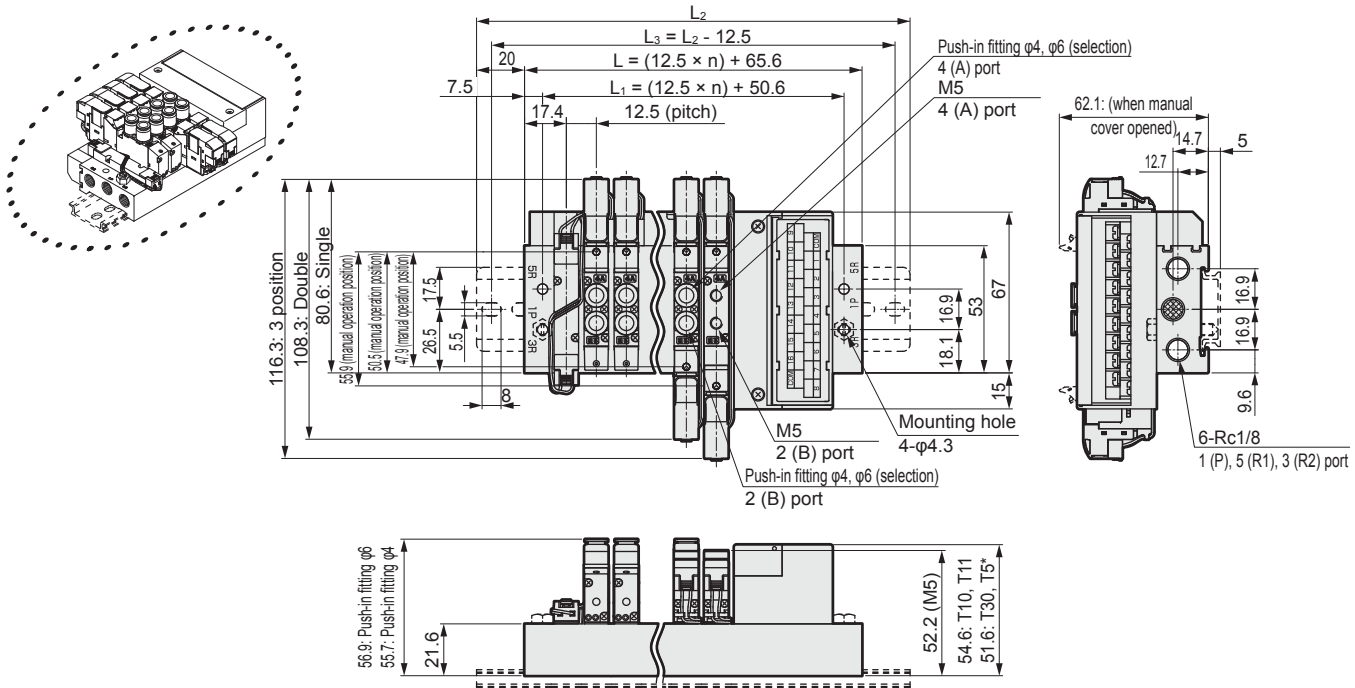
● Reduced wiring left side type (T10/T11/T30/T50/T51/T52/T53)

\* This drawing shows T10. Refer to page 446 to 447 for detailed dimensions of the electrical block.

\* For 2-position single 3 port valve, the port A or port B is a plug. The dimension of dual 3 port valve integrated type is the same as that of the double type.



● Reduced wiring right side type (T10R/T11R/T30R/T50R/T51R/T52R/T53R)



Station no.	2	3	4	5	6	7	8	9	10	11	12	13	14	15	16	17	18	19	20
L	90.6	103.1	115.6	128.1	140.6	153.1	165.6	178.1	190.6	203.1	215.6	228.1	240.6	253.1	265.6	278.1	290.6	303.1	315.6
L1	75.6	88.1	100.6	113.1	125.6	138.1	150.6	163.1	175.6	188.1	200.6	213.1	225.6	238.1	250.6	263.1	275.6	288.1	300.6
L2	137.5	150.0	162.5	175.0	187.5	200.0	212.5	225.0	237.5	250.0	262.5	275.0	287.5	300.0	312.5				
L3	125.0	137.5	150.0	162.5	175.0	187.5	200.0	212.5	225.0	237.5	250.0	262.5	275.0	287.5	300.0				

4GAB  
M4GAB/B  
MN4GAB/B  
4GAB Master valve  
4GD/E  
M4GD/E  
MN4GD/E  
Technical data  
Safety precautions  
Manifold Specifications

# M4GD1-T6D Series

Reduced wiring manifold; body piping; serial transmission

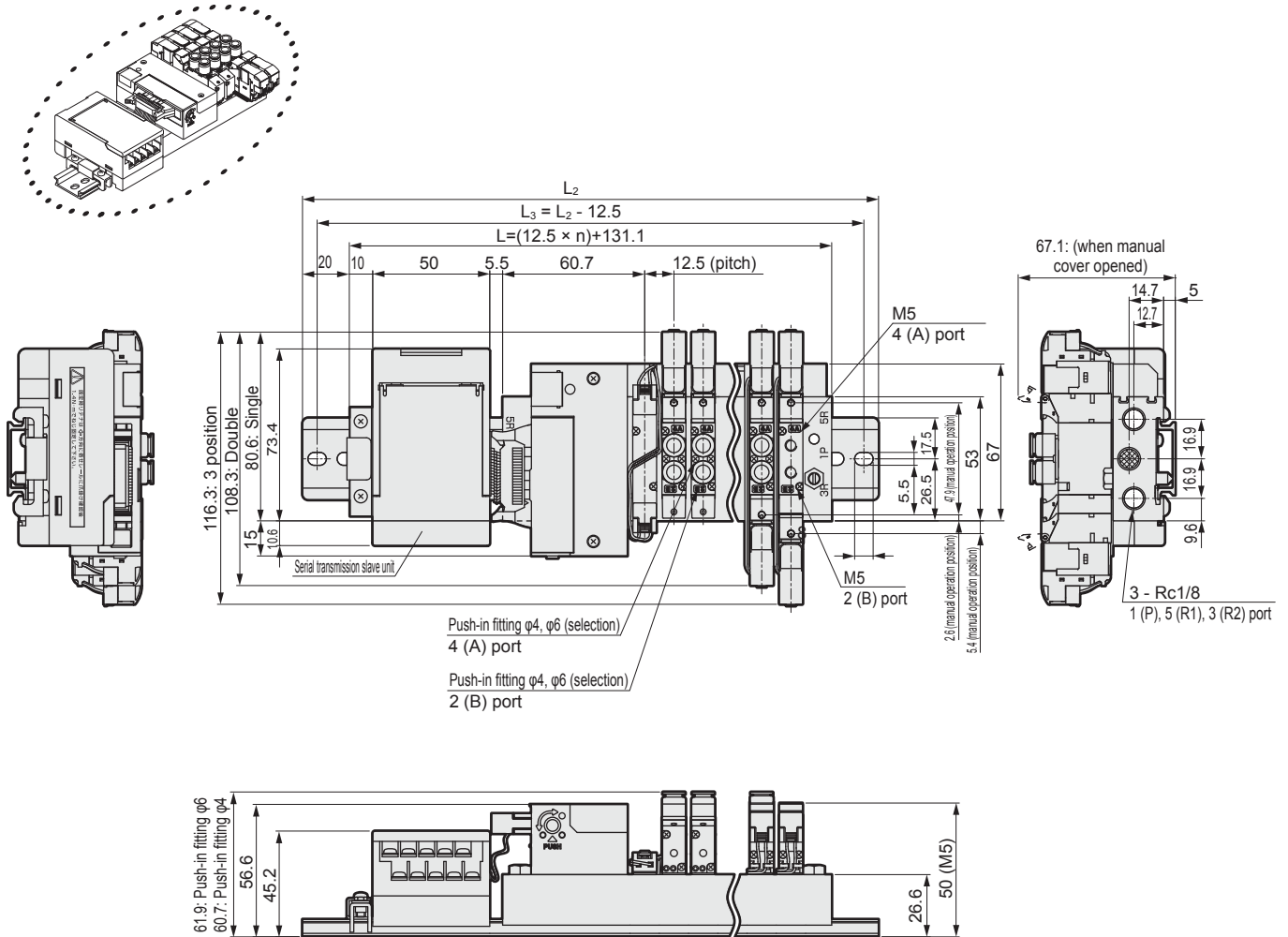
## Dimensions



### M4GD1

- Serial transmission (T6\*)  
DIN rail mounting type (D)

\* For 2-position single 3 port valve, the port A or port B is a plug. The dimension of dual 3 port valve integrated type is the same as that of the double type.



Station no.	2	3	4	5	6	7	8	9	10	11	12	13	14	15	16
L	156.1	168.6	181.1	193.6	206.1	218.6	231.1	243.6	256.1	268.6	281.1	293.6	306.1	318.6	331.1
L <sub>2</sub>	200.0	212.5	225.0	237.5	250.0	262.5	275.0	287.5	300.0	312.5	325.0	337.5	350.0	362.5	375.0
L <sub>3</sub>	187.5	200.0	212.5	225.0	237.5	250.0	262.5	275.0	287.5	300.0	312.5	325.0	337.5	350.0	362.5

4GAB

M4GA/B

MN4GA/B

4GAB  
Master valve

4GD/E

M4GD/E

MN4GD/E

Technical data

Safety  
precautions

Manifold  
Specifications

# M4GD3-T8 Series

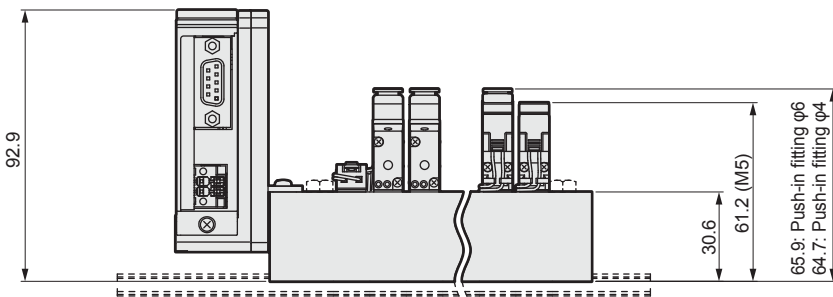
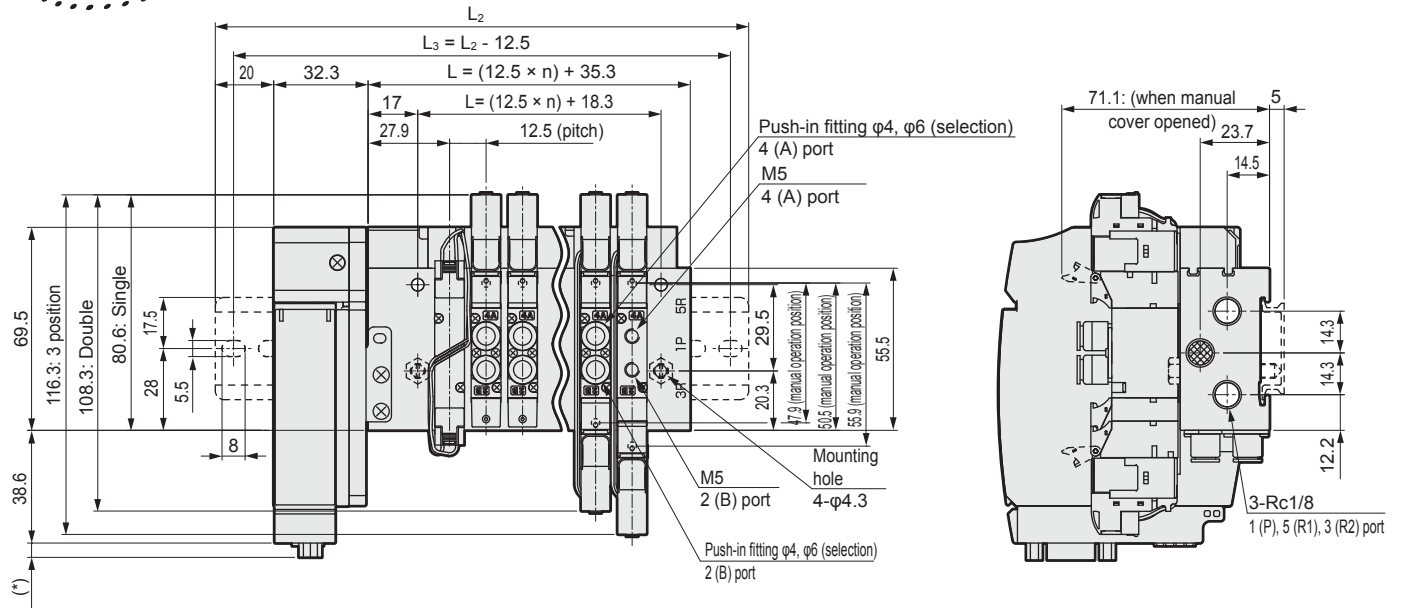
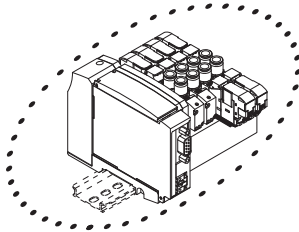
Reduced wiring manifold; body piping; serial transmission

## Dimensions

### M4GD1

- Serial transmission (T8)
- DIN rail mounting type (D)

\* For 2-position single 3 port valve, the port A or port B is a plug.



Serial transmission	*Dimensions
T8G*	1.0
T8P*	4.9
T8E*	3.0

Station no.	2	3	4	5	6	7	8	9	10	11	12	13	14	15	16	17	18	19	20
L	60.3	72.8	85.3	97.8	110.3	122.8	135.3	147.8	160.3	172.8	185.3	197.8	210.3	222.8	235.3	247.8	260.3	272.8	285.3
L <sub>1</sub>	33.3	45.8	58.3	70.8	83.3	95.8	108.3	120.8	133.3	145.8	158.3	170.8	183.3	195.8	208.3	220.8	233.3	245.8	258.3
L <sub>2</sub>	137.5	150.0	162.5	175.0	187.5	200.0	212.5	225.0	237.5	250.0	262.5	275.0	287.5	300.0	312.5				
L <sub>3</sub>	125.0	137.5	150.0	162.5	175.0	187.5	200.0	212.5	225.0	237.5	250.0	262.5	275.0	287.5	300.0				

4GAB  
M4GAB/B  
MN4GAB  
4GAB Master valve  
4GD/E  
M4GD/E  
MN4GD/E  
Technical data  
Safety precautions  
Manifold Specifications



### Dimensions

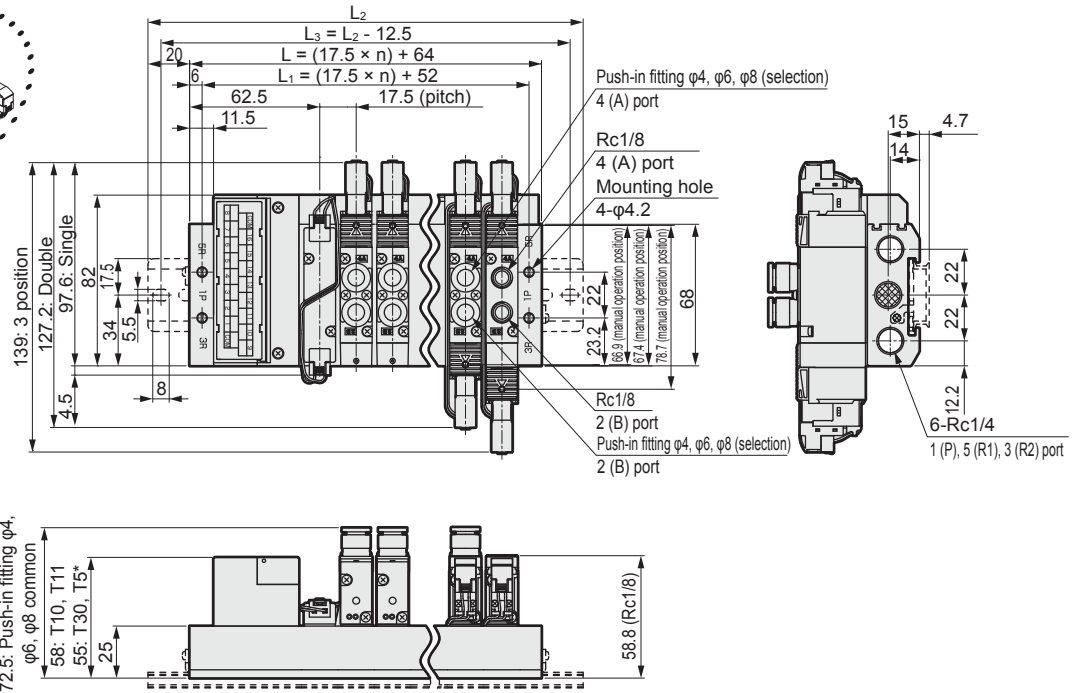
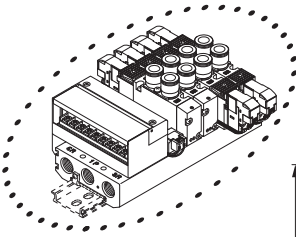


### M4GD2

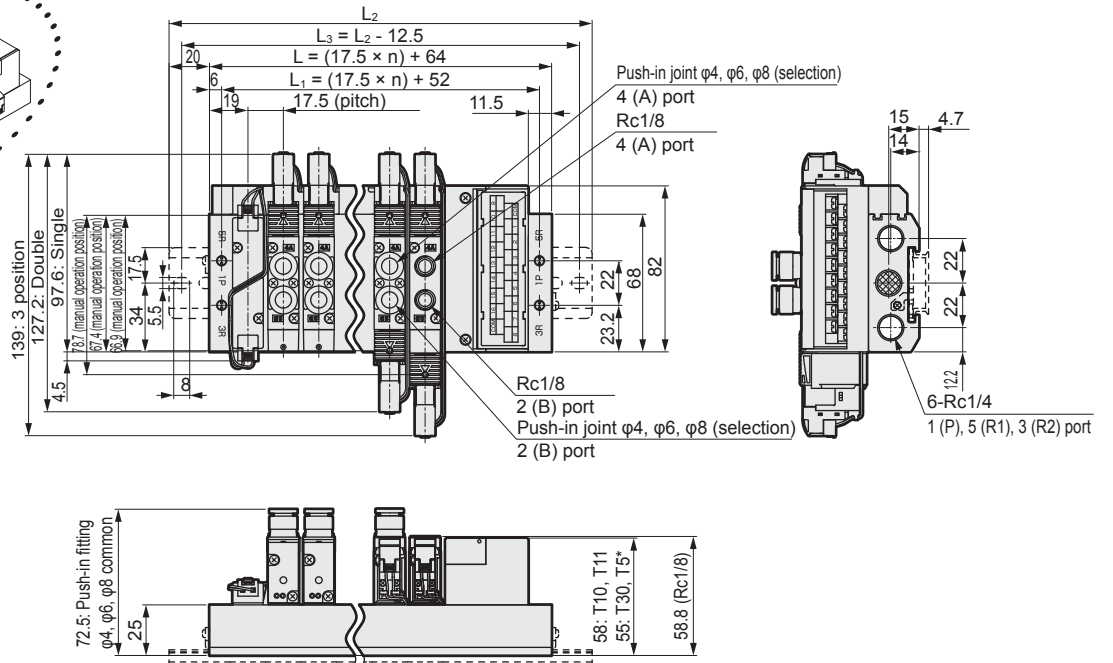
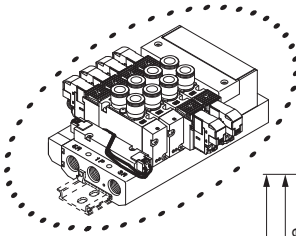
● Reduced wiring Left side type (T10/T11/T30/T50/T51/T52/T53)

\* This drawing shows T10. Refer to page 446 to 447 for detailed dimensions of the electrical block.

\* For 2-position single 3 port valve, the port A or port B is a plug. The dimension of dual 3 port valve integrated type is the same as that of the double type.



● Reduced wiring Right side type (T10R/T11R/T30R/T50R/T51R/T52R/T53R)




Station no.	2	3	4	5	6	7	8	9	10	11	12	13	14	15	16	17	18	19	20
L	99.0	116.5	134.0	151.5	169.0	186.5	204.0	221.5	239.0	256.5	274.0	291.5	309.0	326.5	344.0	361.5	379.0	396.5	414.0
L <sub>1</sub>	87.0	104.5	122.0	139.5	157.0	174.5	192.0	209.5	227.0	244.5	262.0	279.5	297.0	314.5	332.0	349.5	367.0	384.5	402.0
L <sub>2</sub>	150.0	162.5	175.0	200.0	212.5	237.5	250.0	262.5	287.5	300.0	325.0	337.5	350.0	375.0	387.5				
L <sub>3</sub>	137.5	150.0	162.5	187.5	200.0	225.0	237.5	250.0	275.0	287.5	312.5	325.0	337.5	362.5	375.0				

4GAB  
M4GAB/B  
MN4GAB/B  
Master valve  
4GAB  
4GD/E  
M4GD/E  
MN4GD/E  
Technical data  
Safety precautions  
Manifold Specifications

# M4GD2-T6D Series

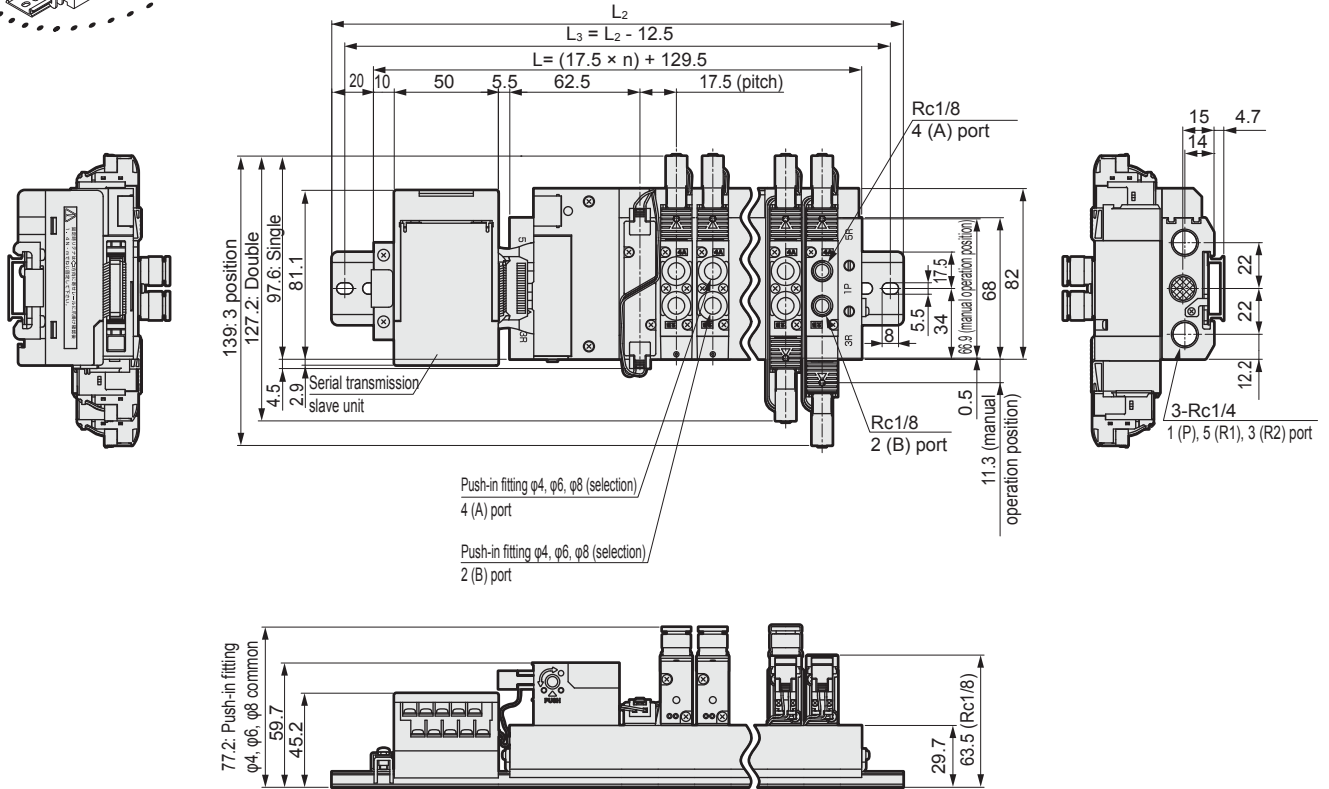
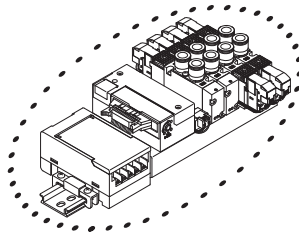
Reduced wiring manifold; body piping; serial transmission

Dimensions 

## M4GD2

- Serial transmission (T6\*)  
DIN rail mounting type (D)

\* For 2-position single 3 port valve, the port A or port B is a plug. The dimension of dual 3 port valve integrated type is the same as that of the double type.



Station no.	2	3	4	5	6	7	8	9	10	11	12	13	14	15	16
L	164.5	182.0	199.5	217.0	234.5	252.0	269.5	287.0	304.5	322.0	339.5	357.0	374.5	392.0	409.5
L <sub>2</sub>	212.5	225.0	250.0	262.5	275.0	300.0	312.5	337.5	350.0	362.5	387.5	400.0	425.0	437.5	450.0
L <sub>3</sub>	200.0	212.5	237.5	250.0	262.5	287.5	300.0	325.0	337.5	350.0	375.0	387.5	412.5	425.0	437.5

4GAB  
M4GAB  
MN4GAB  
4GAB Master valve  
4GD/E  
M4GD/E  
MN4GD/E  
Technical data  
Safety precautions  
Manifold Specifications

# M4GD2-T8 Series

Reduced wiring manifold; body piping; serial transmission

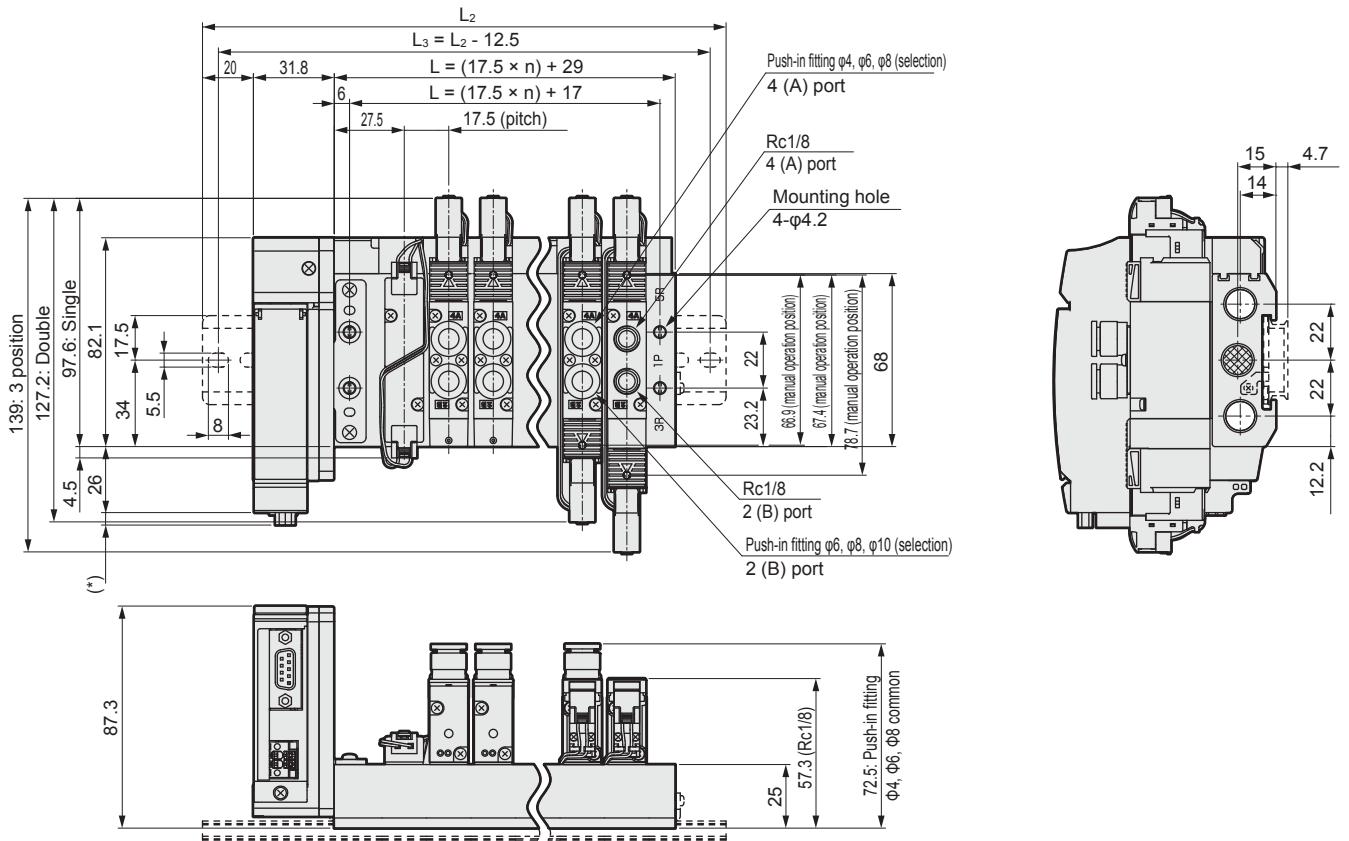
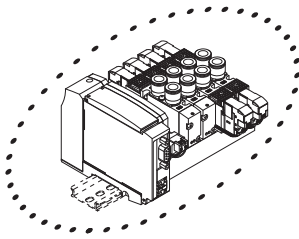
## Dimensions



### M4GD2

- Serial transmission (T8)
- DIN rail mounting type (D)

\* For 2-position single 3 port valve, the port A or port B is a plug.



Serial transmission	*Dimensions
T8G*	1.0
T8P*	4.9
T8E*	3.0

Station no.	2	3	4	5	6	7	8	9	10	11	12	13	14	15	16	17	18	19	20
L	64.0	81.5	99.0	116.5	134.0	151.5	169.0	186.5	204.0	221.5	239.0	256.5	274.0	291.5	309.0	326.5	344.0	361.5	379.0
L <sub>1</sub>	52.0	69.5	87.0	104.5	122.0	139.5	157.0	174.5	192.0	209.5	227.0	244.5	262.0	279.5	297.0	314.5	332.0	349.5	367.0
L <sub>2</sub>	137.5	162.5	175.0	200.0	212.5	225.0	250.0	262.5	287.5	300.0	312.5	337.5	350.0	375.0	387.5				
L <sub>3</sub>	125.0	150.0	162.5	187.5	200.0	212.5	237.5	250.0	275.0	287.5	300.0	325.0	337.5	362.5	375.0				

4GAB  
M4GA/B  
MN4GA/B  
4GAB Master valve  
4GD/E  
M4GD/E  
MN4GD/E  
Technical data  
Safety precautions  
Manifold Specifications

# M4GD3-T\* Series

Reduced wiring manifold; base piping

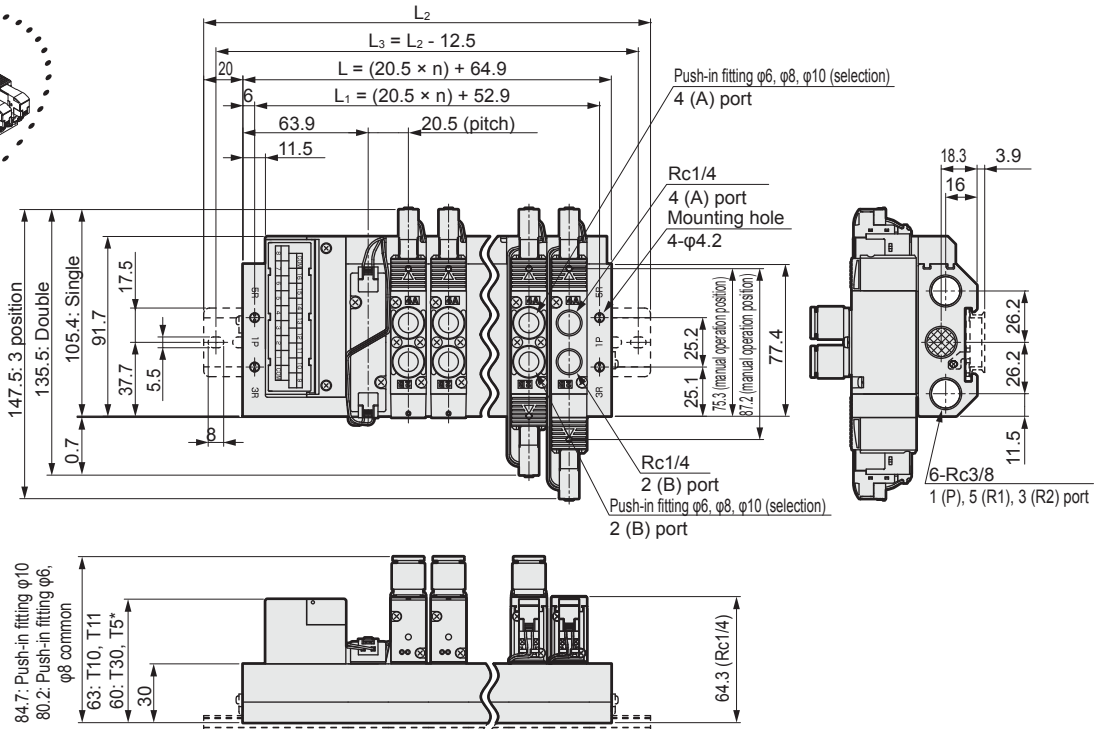
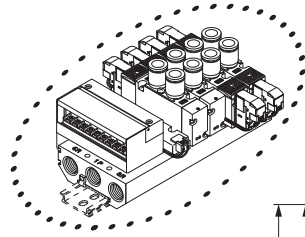
Dimensions



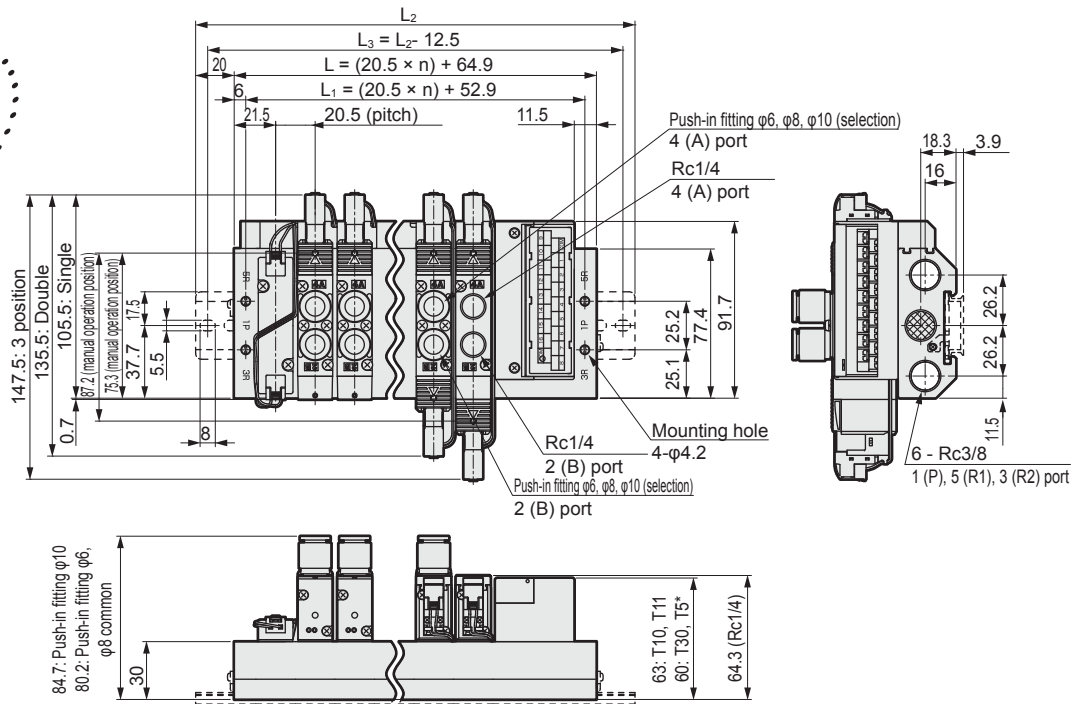
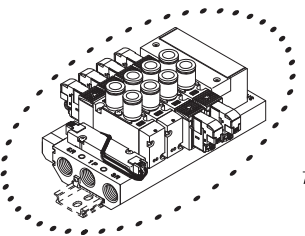
## M4GD3

● Reduced wiring Left side type (T10/T11/T30/T50/T51/T52/T53)

\* This drawing shows T10. Refer to page 446 to 447 for detailed dimensions of the electrical block.  
\* For 2-position single 3 port valve, the port A or port B is a plug.



● Reduced wiring Right side type (T10R/T11R/T30R/T50R/T51R/T52R/T53R)



Station no.	2	3	4	5	6	7	8	9	10	11	12	13	14	15	16
L	105.9	126.4	146.9	167.4	187.9	208.4	228.9	249.4	269.9	290.4	310.9	331.4	351.9	372.4	392.9
L <sub>1</sub>	93.9	114.4	134.9	155.4	175.9	196.4	216.9	237.4	257.9	278.4	298.9	319.4	339.9	360.4	380.9
L <sub>2</sub>	150.0	175.0	200.0	212.5	237.5	250.0	275.0	300.0	312.5	337.5	362.5	375.0	400.0	412.5	437.5
L <sub>3</sub>	137.5	162.5	187.5	200.0	225.0	237.5	262.5	287.5	300.0	325.0	350.0	362.5	387.5	400.0	425.0

4GAB  
M4GAB/B  
MN4GAB/B  
4GAB Master valve  
4GD/E  
M4GD/E  
MN4GD/E  
Technical data  
Safety precautions  
Manifold Specifications

# M4GD3-T6D Series

Reduced wiring manifold; body piping; serial transmission

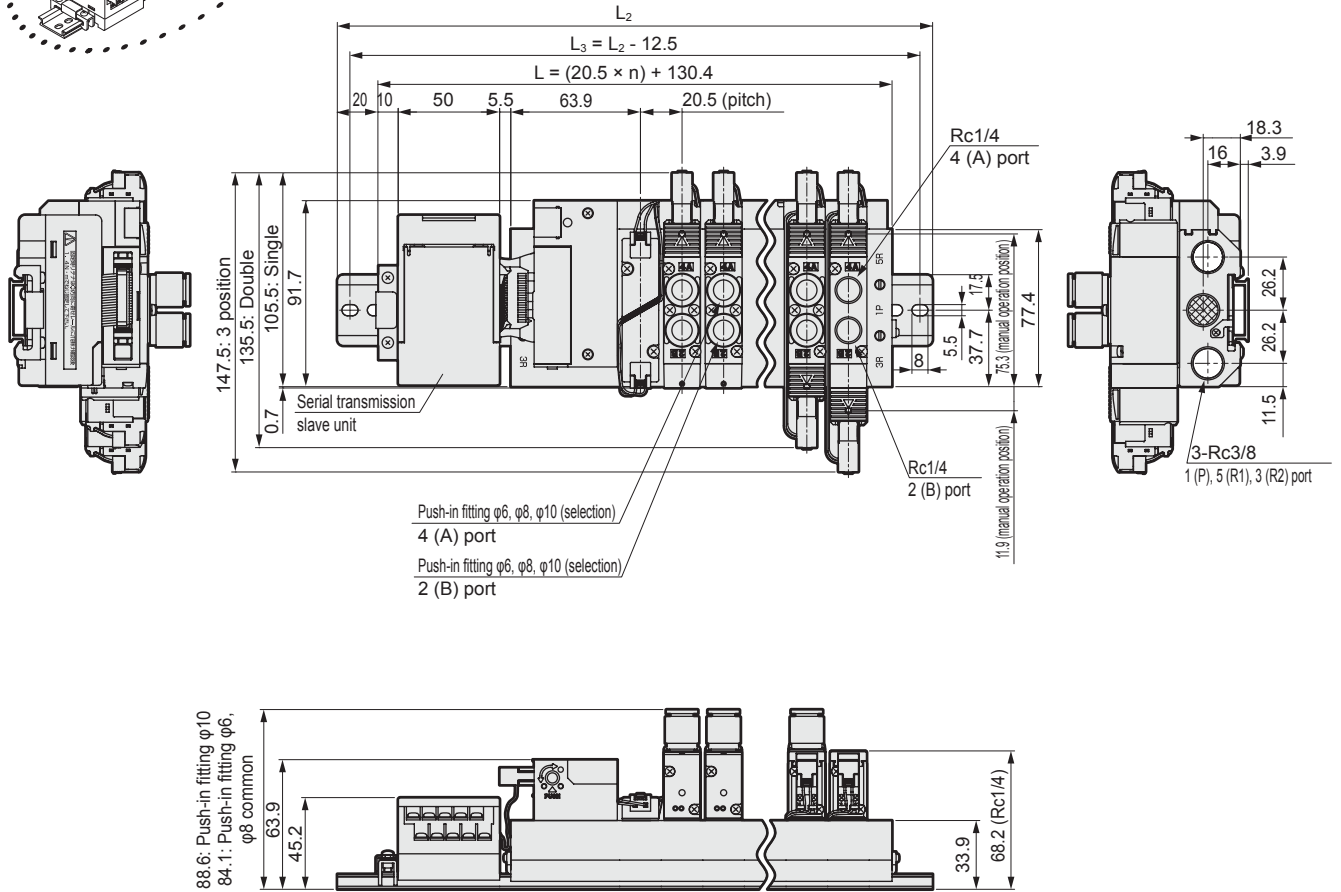
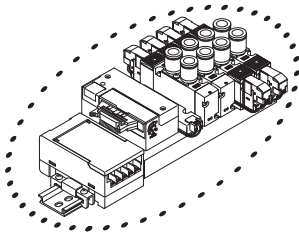
## Dimensions



### M4GD3

- Serial transmission (T6\*)  
DIN rail mounting type (D)

\* For 2-position single 3 port valve, the port A or port B is a plug.



Station no.	2	3	4	5	6	7	8	9	10	11	12	13	14	15	16
L	171.4	191.9	212.4	232.9	253.4	273.9	294.4	314.9	335.4	355.9	376.4	396.9	417.4	437.9	458.4
L <sub>2</sub>	212.5	237.5	262.5	275.0	300.0	325.0	337.5	362.5	387.5	400.0	425.0	437.5	462.5	487.5	500.0
L <sub>3</sub>	200.0	225.0	250.0	262.5	287.5	312.5	325.0	350.0	375.0	387.5	412.5	425.0	450.0	475.0	487.5

# M4GD3-T8 Series

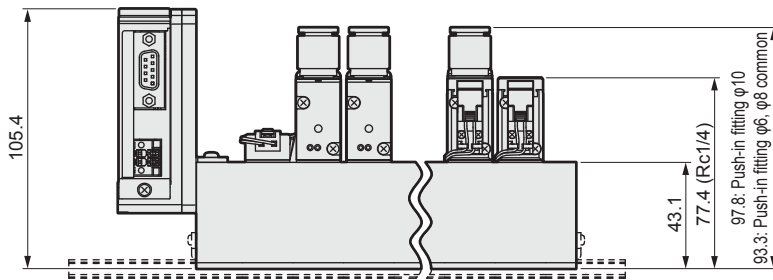
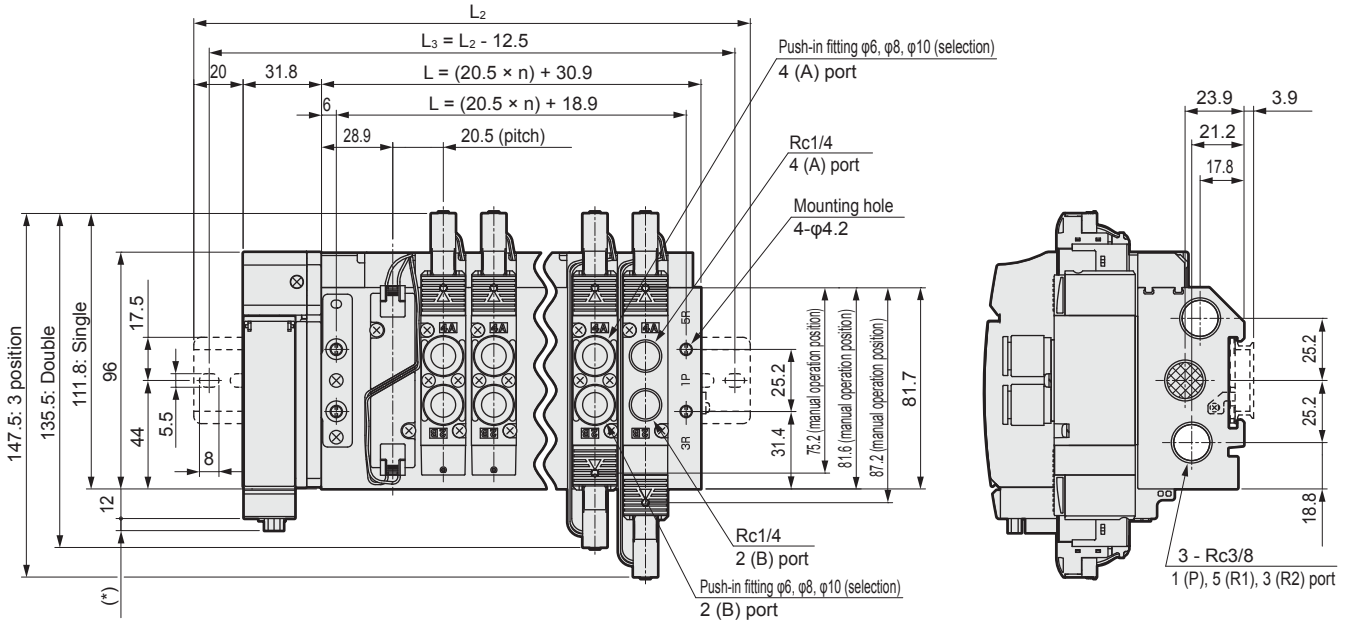
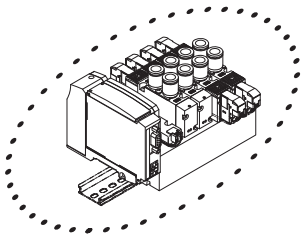
Reduced wiring manifold; body piping; serial transmission

Dimensions 

## M4GD3

- Serial transmission (T8)
- DIN rail mounting type (D)

\* For 2-position single 3 port valve, the port A or port B is a plug.



Serial transmission	*Dimensions
T8G*	1.0
T8P*	4.9
T8E*	3.0

Station no.	2	3	4	5	6	7	8	9	10	11	12	13	14	15	16
L	71.9	92.4	112.9	133.4	153.9	174.4	194.9	215.4	235.9	256.4	276.9	297.4	317.9	338.4	358.9
L <sub>1</sub>	59.9	80.4	100.9	121.4	141.9	162.4	182.9	203.4	223.9	244.4	264.9	285.4	305.9	326.4	346.9
L <sub>2</sub>	150.0	175.0	187.5	212.5	237.5	250.0	275.0	287.5	312.5	337.5	350.0	375.0	400.0	412.5	437.5
L <sub>3</sub>	137.5	162.5	175.0	200.0	225.0	237.5	262.5	275.0	300.0	325.0	337.5	362.5	387.5	400.0	425.0

4GAB  
M4GAB  
MN4GAB  
4GAB Master valve  
4GD/E  
M4GD/E  
MN4GD/E  
Technical data  
Safety precautions  
Manifold Specifications

---

# MEMO

---

4GAB	M4GA/B	MN4GA/B	4GAB Master valve	4GD/E	M4GD/E	MN4GD/E	Technical data	Safety precautions	Manifold Specifications
------	--------	---------	----------------------	-------	--------	---------	----------------	-----------------------	----------------------------

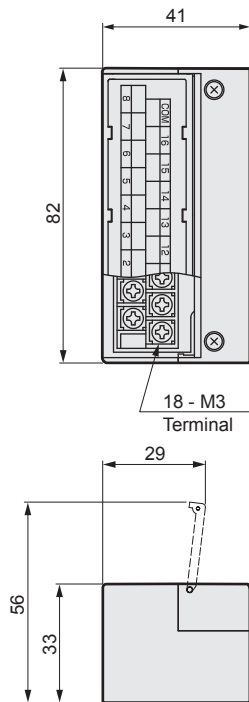
# M4GD-T\* Series

Reduced wiring manifold; base piping

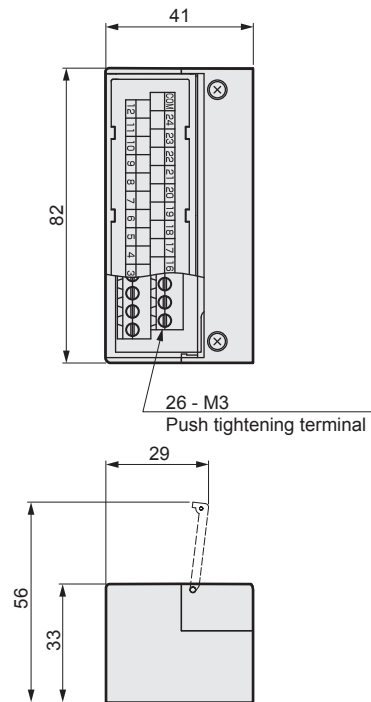
Electrical block part: dimensions

4GAB	M4GAB	MN4GAB	4GAB Master valve	4GD/E	M4GD/E	MN4GD/E	Technical data	Safety precautions	Manifold Specifications
------	-------	--------	----------------------	-------	--------	---------	----------------	-----------------------	----------------------------

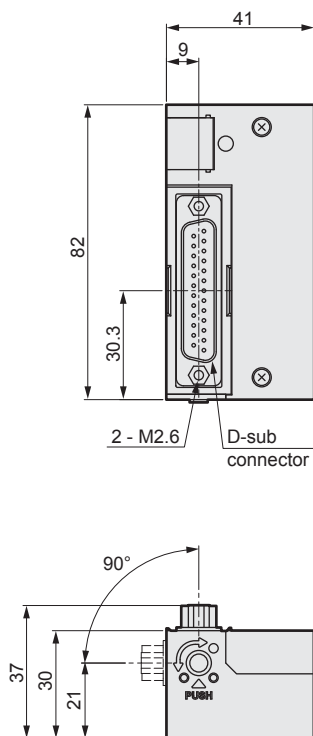
● Common terminal block (M3 thread) T10



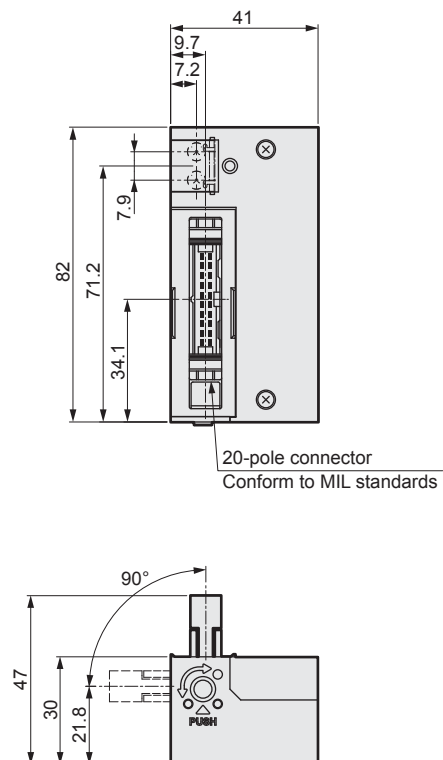
● Common terminal block (push tightening) T11



● D sub-connector T30



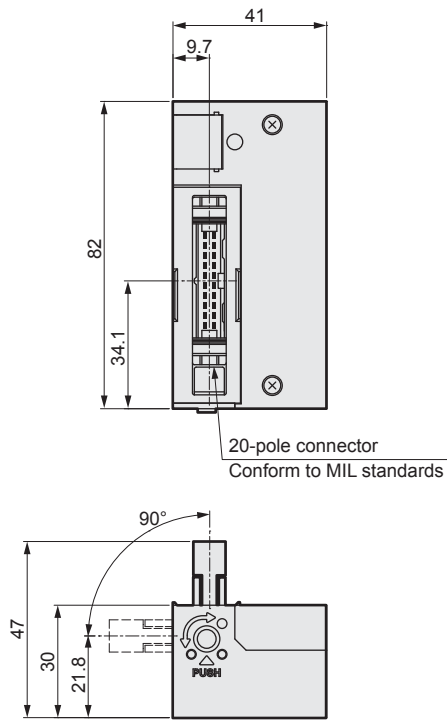
● 20 pin flat cable connector (with power supply terminal) T50



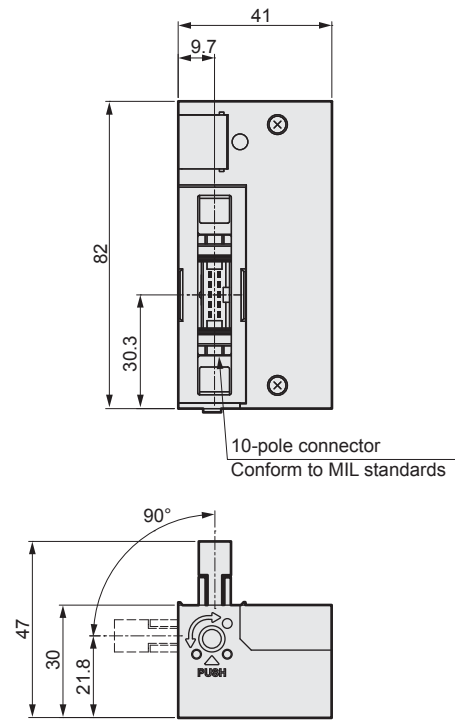


## Electrical block part: dimensions

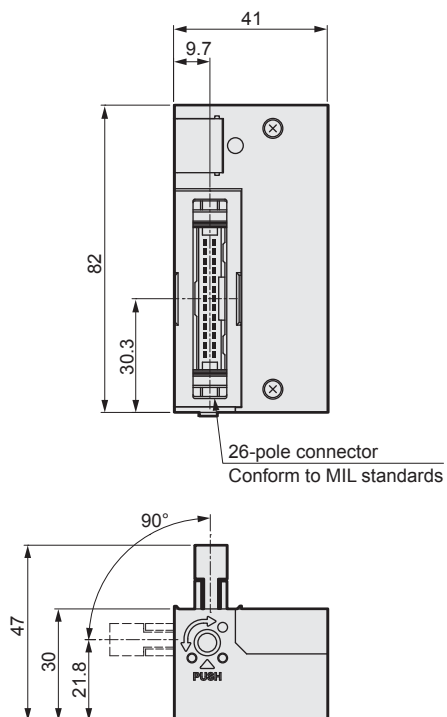
- 20 pin flat cable connector (without power supply terminal)  
T51



- 10 pin flat cable connector (without power supply terminal)  
T52



- 26 pin flat cable connector (without power supply terminal)  
T53



4G/A/B

M4G/A/B

MN4G/A/B

4G/A/B  
Master valve

4G/D/E

M4G/D/E

MN4G/D/E

Technical data

Safety  
precautions

Manifold  
Specifications

# M4GD3-T6D/T8 Series

Reduced wiring manifold; body piping; serial transmission

● Discrete serial transmission slave unit

**4GR** - **OPP3** - **0A**

**A** Wiring method

Symbol	Descriptions		
<b>A Wiring method</b>			
<b>0A</b>	T6A0	UNIWIRE SYSTEM	8 points
<b>1A</b>	T6A1	UNIWIRE SYSTEM	16 points
<b>0C</b>	T6C0	OMRON CompoBus/S	8 points
<b>1C</b>	T6C1	OMRON CompoBus/S	16 points
<b>0E</b>	T6E0	SUNX S-LINK	8 points
<b>1E</b>	T6E1	SUNX S-LINK	16 points
<b>1G</b>	T6G1	CC-Link	16 points
<b>0J</b>	T6J0	UNIWIRE H SYSTEM	8 points
<b>1J</b>	T6J1	UNIWIRE H SYSTEM	16 points

**4GR** - **OPP7** - **2G**

**A** Wiring method

Symbol	Descriptions			
<b>A Wiring method</b>				
<b>1G</b>	T8G1	CC-Link (Thin type)	NPN	16 points
<b>2G</b>	T8G2		PNP	32 points
<b>1G-P</b>	T8GP1	PROFIBUS-DP (Thin type)	NPN	16 points
<b>2G-P</b>	T8GP2		PNP	32 points
<b>1P</b>	T8P1	EtherCAT (Thin type)	NPN	16 points
<b>2P</b>	T8P2		PNP	32 points
<b>1P-P</b>	T8PP1	EtherNet/IP (Thin type)	NPN	16 points
<b>2P-P</b>	T8PP2		PNP	32 points
<b>1EC</b>	T8EC1	EtherNet/IP (Thin type)	NPN	16 points
<b>2EC</b>	T8EC2		PNP	32 points
<b>1EC-P</b>	T8ECP1	EtherNet/IP (Thin type)	NPN	16 points
<b>2EC-P</b>	T8ECP2		PNP	32 points
<b>1EN</b>	T8EN1	EtherNet/IP (Thin type)	NPN	16 points
<b>2EN</b>	T8EN2		PNP	32 points
<b>1EN-P</b>	T8ENP1	EtherNet/IP (Thin type)	NPN	16 points
<b>2EN-P</b>	T8ENP2		PNP	32 points

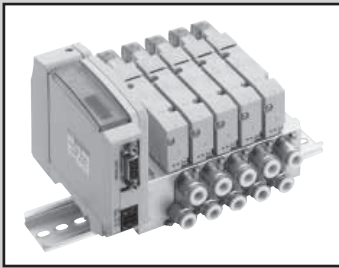
4GAB	M4GAB	MN4GAB	4GAB Master valve	4GD/E	M4GD/E	MN4GD/E	Technical data	Safety precautions	Manifold Specifications
------	-------	--------	----------------------	-------	--------	---------	----------------	-----------------------	----------------------------

---

# MEMO

---

4GAB	M4GA/B	MN4GA/B	4GAB Master valve	4GD/E	M4GD/E	MN4GD/E	Technical data	Safety precautions	Manifold Specifications
------	--------	---------	----------------------	-------	--------	---------	----------------	-----------------------	----------------------------



Reduced wiring manifold  
Base piping  
Direct mount type/DIN rail mount type

# M3GE1, 2-T\* (D) Series M4GE1, 2, 3-T\* (D) Series

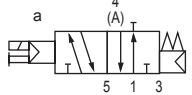
● Applicable cylinder bore size:  $\phi 20$  to  $\phi 100$



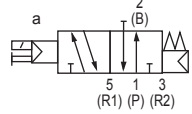
4GAB  
M4GAB  
MN4GAB  
4GAB Master valve  
4GD/E  
M4GD/E  
MN4GD/E  
Technical data  
Safety precautions  
Manifold specifications

## JIS symbol

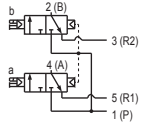
- 3 port valve  
2-position single N.C. type



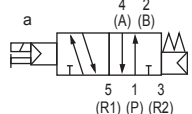
- 2-position single N.O. type



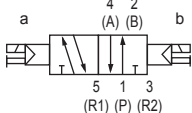
- Dual 3 port valve integrated type  
(A side valve: N.C. type, B side valve: N.C. type)



- 5 port valve  
2-position single

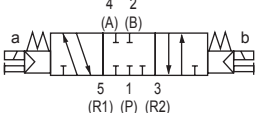


- 2-position double

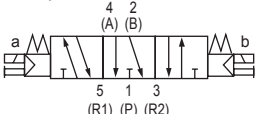


- 3-position

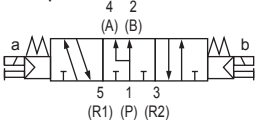
All ports closed



- 3-position A/B/R connection



- 3-position P/A/B connection



## Manifold common specifications

Descriptions		
Manifold type		Reduced wiring integrated base
Mounting method		Direct mount type/DIN rail mount type
Supply and exhaust method		Common supply/common exhaust (malfunction prevention valve integrated)
Pilot exhaust method	Internal pilot	Main valve/pilot valve common exhaust (Standard) (Pilot exhaust check valve integrated)
Piping direction		Base part lateral direction
Valve type and operation		Pilot operated type soft spool valve
Working fluid		Compressed air
Max. working pressure MPa		0.7
Min. working pressure MPa		0.2
Withstanding pressure MPa		1.05
Ambient temperature °C		-5 to 55 (no freezing)
Fluid temperature °C		5 to 55
Manual operating device		Non-locking/locking common type
Lubrication	Note 1	Not required
Degree of protection		Note 2 Dust proof
Vibration/shock	m/s <sup>2</sup>	50 or less / 300 or less
Working environment		Containing corrosive gas is not permissible

Note 1 Use the turbine oil Class 1 ISO VG32 if lubricated.  
Excessive or intermittent lubrication results in unstable operation.  
Note 2 Avoid water drops or oil, etc. during use.

## Electrical specification

Descriptions	T1*, T30*, T5*		T6*, T8*
	Rated voltage	24 VDC	12 VDC
Voltage fluctuation range	Note 3 ±10%		+10%, -5%
Holding current	A	0.017	0.034
Power consumption	W 0.4		
Thermal class	B		
Surge suppressor	Zener diode		
Indicator	LED		

Note 3 Please note the voltage fluctuation range since the T6\* and T8\* (Serial transmission type) have a voltage drop due to the internal circuit.

## Manifold individual specifications

Common specifications

Descriptions		M3GE1/M4GE1	M3GE2/M4GE2	M3GE3/M4GE3
Port size	A/B port	Push-in fitting $\phi 4, \phi 6$ M5	Push-in fitting $\phi 4, \phi 6, \phi 8$ Rc1/8	Push-in fitting $\phi 6, \phi 8, \phi 10$ Rc1/4
	P/R1/R2 port	Rc1/8	Rc1/4	Rc3/8

T1\*, T30\*, T5\*

Descriptions	M3GE1/M4GE1		M3GE2/M4GE2		M3GE3/M4GE3	
	Direct mount	DIN rail mount	Direct mount	DIN rail mount	Direct mount	DIN rail mount
Max. station no.	20 stations	16 stations	20 stations	16 stations	16 stations	
Manifold base weight calculation formula (n: station no.)	g 43n+335		45n+348		80n+398	82n+431

T6\*

Descriptions	M3GE1/M4GE1		M3GE2/M4GE2		M3GE3/M4GE3	
	DIN rail mount	DIN rail mount	DIN rail mount	DIN rail mount	DIN rail mount	DIN rail mount
Max. station no.	16 stations		16 stations		16 stations	
Manifold base weight calculation formula (n: station no.)	g 45n+495		82n+578		126n+729	

T8\*

Descriptions	M3GE1/M4GE1		M3GE2/M4GE2		M3GE3/M4GE3	
	Direct mount	DIN rail mount	Direct mount	DIN rail mount	Direct mount	DIN rail mount
Max. station no.	20 stations	16 stations	20 stations	16 stations	16 stations	
Manifold base weight calculation formula (n: station no.)	g 46n+305		49n+332		83n+318	86n+350

The manifold base weight is the value for screw connection specifications with the DIN rail and electrical block. The max. station no. of the manifold is limited by the max. number of solenoid for each of the following wiring specifications.

# M<sub>4</sub>GE1, 2, 3-T\* (D) Series

Reduced wiring manifold; base piping

## Flow characteristics

Model no.	Valve Position	P → A/B		A/B → R1/R2		
		C (dm <sup>3</sup> /(s·bar))	b	C (dm <sup>3</sup> /(s·bar))	b	
M3GE1	Dual 3 port valve integrated type	0.86	0.35	1.1 (0.67)	0.22 (0.23)	
	2-position	1.1	0.22	1.2 (0.70)	0.20 (0.10)	
M4GE1	3-position	All ports closed	0.98	0.22	1.1	0.24
		ABR connection	0.97	0.35	1.3 (0.68)	0.22 (0.24)
		PAB connection	1.1	0.38	1.1	0.21
M3GE2	Dual 3 port valve integrated type	1.7	0.44	2.1 (1.6)	0.32 (0.30)	
	2-position	2.4	0.34	2.7 (1.7)	0.24 (0.31)	
M4GE2	3-position	All ports closed	2.2	0.34	2.4	0.29
		ABR connection	2.2	0.34	2.8 (1.8)	0.24 (0.27)
		PAB connection	2.4	0.29	2.4	0.29
M4GE3	2-position	3.5	0.34	3.8 (2.6)	0.11 (0.27)	
	3-position	All ports closed	3.1	0.33	3.3	0.22
		ABR connection	3.0	0.30	3.8 (2.7)	0.11 (0.22)
		PAB connection	3.6	0.36	3.3	0.28

Note 1: Effective sectional area S and sonic conductance C are converted as  $S \approx 5.0 \times C$ .

Note 2: Values in ( ) apply when a malfunction prevention valve is attached.

## Wiring specifications

Descriptions	T10* Centralized terminal block type	T11* Centralized terminal block type	T30* D sub-connector	T50* Flat cable 20 pin type	T51* Flat cable 20 pin type	T52* Flat cable 10 pin type	T53* Flat cable 26 pin type																																		
Connector and Terminal block specifications	M3 thread tightening type 18 terminals	Push tightening type 26 terminals	D sub connector 25 pin	MIL-C-83503 standards conformed Pressure welding socket 20 pin	MIL-C-83503 standards conformed Pressure welding socket 20 pin	MIL-C-83503 standards conformed Pressure welding socket 10 pin	MIL-C-83503 standards conformed Pressure welding socket 26 pin																																		
Max. number of solenoid	16 points	24 points	24 points	16 points	18 points	8 points	24 points																																		
Manifold internal wiring	Details on page 244 to 251																																								
Electrical block position Blank: Left side R: Right side	<b>Left side: T*</b> 				<b>Right side: T*R</b> 																																				
	<p>(Example) T50* Manifold specifications</p> <table border="1"> <tr> <td>Standard wiring (sequential): Blank</td> <td>Double wiring: W</td> </tr> <tr> <td> <table border="1"> <tr><td>1a</td><td>2a</td><td>3a</td><td>4a</td></tr> <tr><td>S</td><td>D</td><td>S</td><td>D</td></tr> <tr><td>2b</td><td>4b</td><td></td><td></td></tr> </table> </td> <td> <table border="1"> <tr><td>1</td><td>2</td><td>3</td><td>4</td><td>5</td><td>6</td></tr> <tr><td>Connector pin No.</td><td></td><td></td><td></td><td></td><td></td></tr> <tr><td>Valve solenoid no.</td><td>1a</td><td>2a</td><td>2b</td><td>3a</td><td>4a</td></tr> </table> </td> </tr> </table>								Standard wiring (sequential): Blank	Double wiring: W	<table border="1"> <tr><td>1a</td><td>2a</td><td>3a</td><td>4a</td></tr> <tr><td>S</td><td>D</td><td>S</td><td>D</td></tr> <tr><td>2b</td><td>4b</td><td></td><td></td></tr> </table>	1a	2a	3a	4a	S	D	S	D	2b	4b			<table border="1"> <tr><td>1</td><td>2</td><td>3</td><td>4</td><td>5</td><td>6</td></tr> <tr><td>Connector pin No.</td><td></td><td></td><td></td><td></td><td></td></tr> <tr><td>Valve solenoid no.</td><td>1a</td><td>2a</td><td>2b</td><td>3a</td><td>4a</td></tr> </table>	1	2	3	4	5	6	Connector pin No.						Valve solenoid no.	1a	2a	2b	3a
Standard wiring (sequential): Blank	Double wiring: W																																								
<table border="1"> <tr><td>1a</td><td>2a</td><td>3a</td><td>4a</td></tr> <tr><td>S</td><td>D</td><td>S</td><td>D</td></tr> <tr><td>2b</td><td>4b</td><td></td><td></td></tr> </table>	1a	2a	3a	4a	S	D	S	D	2b	4b			<table border="1"> <tr><td>1</td><td>2</td><td>3</td><td>4</td><td>5</td><td>6</td></tr> <tr><td>Connector pin No.</td><td></td><td></td><td></td><td></td><td></td></tr> <tr><td>Valve solenoid no.</td><td>1a</td><td>2a</td><td>2b</td><td>3a</td><td>4a</td></tr> </table>	1	2	3	4	5	6	Connector pin No.						Valve solenoid no.	1a	2a	2b	3a	4a										
1a	2a	3a	4a																																						
S	D	S	D																																						
2b	4b																																								
1	2	3	4	5	6																																				
Connector pin No.																																									
Valve solenoid no.	1a	2a	2b	3a	4a																																				

## Serial transmission slave unit specifications (refer to page 611 for applicable PLC table)

Descriptions	T6G1 Note 1	T6C0 Note 2 T6C1	T6A0 Note 3 T6A1	T6E0 T6E1	T6J0 Note 3 T6J1
Network name	CC-Link	CompoBus/S	UNIWIRESYSTEM	S-LINK	UNIWIRESYSTEM H
Power supply voltage	Unit side: 24 VDC ±10%	Valve side: 24 VDC +10% ± -5%	24 VDC +10% ± -5% (Unit power supply/valve power supply common terminal)		
Current consumption	Unit side: 100 mA or less (when all output points are ON)	Valve side: 15mA or less (when all output points are OFF)	100 mA or less (when all output points are ON) Load current is not included		
Output points	16 points	T6*0: 8 points	T6*1: 16 points		
Occupied number	1 station	T6C0: 1 node address (8 point mode) T6C1: 2 node address (8 point mode)	T6A0: Output 8 points T6A1: Output 16 points	T6E0: FAN-in: 3 T6E1: FAN-in: 3	T6J0: Output 8 points T6J1: Output 16 points
Operation display	LED (power supply and communication state)				

Note 1: CC-Link is ver1.10.

Note 2: Long-distance communication mode is not supported. Contact CKD for details on its support.

Note 3: The number of transmission points of 128 points and the transmission distance of 200 m are supported. Contact CKD for other specifications.

## Serial transmission slave unit specifications

Descriptions	T8G1	T8GP1	T8P1	T8PP1	T8EC1	T8ECP1	T8EN1	T8ENP1
	T8G2	T8GP2	T8P2	T8PP2	T8EC2	T8ECP2	T8EN2	T8ENP2
Network name	CC-Link ver1.10		PROFIBUS-DP (V0)		EtherCAT		EtherNet/IP	
Power supply voltage	Unit side: 24 VDC ± 10%	Valve side: 24 VDC + 10%, -5%						
Current consumption	Unit side: 60 mA or less (when all output points are ON)	60 mA or less (when all output points are ON)	110 mA or less (when all output points are ON)	120 mA or less (when all output points are ON)				
Output points	T8*1: 15mA or less T8*2: 20mA or less (when all output points are ON) Load current is not included							
Occupied number	T8*1: 16 points T8*2: 32 points							
Operation display	1 station							
Operation display	LED (power supply and communication state)							
Output type	NPN output	PNP output	NPN output	PNP output	NPN output	PNP output	NPN output	PNP output

# M4GE1, 2, 3-T\* (D) Series

Reduced wiring manifold; base piping

## How to order

Manifold model no.

**M** 4GE1 1 0R - C6 - T30 W H D - **3**

3 port manifold model no.

**M** 3GE1 1 0R - C6 - T30 W H D - **3**

Discrete valve for mounting base

4GE1 1 9R - 00 - A2N H - **3**

3 port discrete valve for mounting base

3GE1 1 9R - 00 - A2N H - **3**

**A** Model no.

**B** Valve Position

"A2N" indicates A type (downward) connector, with surge suppressor/light and no lead wire.

**C** Port size

**E** Terminal and connector pin array

**D** Reduced wiring  
Zener diode is used for a surge suppressor.

- Refer to page 597 for cable model no. with D-sub connector.
- Refer to page 593 for cable model no. for flat cable connector.

## Note on model no. selection

Note 1 Select M4GE\*80R when mixing with 3, 5 port valves.  
Select M3GE\*80R when mixing with the masking plate.

Note 2 Dimensions are the same as the respective 2-position double.

Note 3 CL\* push-in fitting L type (upward) is available only for the single solenoid manifold. The port A is a long elbow and the port B is short elbow.

Note 4 A/B port sizes do not differ for the push-in fitting L type.

Note 5 Blank.....Wired based on the type of valve used.

W\*.....Wired for the double solenoid regardless of the type of valve used.

Note 6 3-position all ports closed and PAB connection are not provided with malfunction prevention valve (H). Refer to page 628 for details on malfunction prevention valve.

Note 7 The P port has a filter built inside as a standard.

Note 8 Specify the spacer mounting position and quantity in manifold specifications. Stacking multiple spacers is not supported. Combination with the masking plate is not supported. Refer to page 472 to 476 for details.

Note 9 The direct mount type of M4GE1 cannot be changed to the DIN rail mount type after purchase.

**F** Option

**G** Mount type

**H** Station no.

**I** Voltage

**A** Model No.

\* Always indicate "Manifold specifications" (page 493 to 504).

Symbol	Descriptions	3GE1	3GE2	4GE1	4GE2	4GE3
<b>B Valve Position</b>						
1	2-position single			●	●	●
2	2-position double			●	●	●
3	3-position all ports closed			●	●	●
4	3-position ABR connection			●	●	●
5	3-position PAB connection			●	●	●
66	Dual 3 port valve integrated type Note 1, 2	●	●			
	A side valve: Normally closed					
	B side valve: Normally closed					
8	Mix manifold (In case of multiple Valve Positions)	●	●	●	●	●

<b>C Port size</b>						
Port	4 (A) / 2 (B) port	P/R1/R2 port (2) = Rc1/8 (3) = Rc1/4 (4) = Rc3/8				
C4	φ4 push-in fitting	(2)	(3)	(2)	(3)	(4)
C6	φ6 push-in fitting	(2)	(3)	(2)	(3)	(4)
C8	φ8 push-in fitting		(3)		(3)	(4)
C10	φ10 push-in fitting					(4)
CL4	L type φ4 push-in fitting (upward)			(2)		
CL6	L type φ6 push-in fitting (upward)			(2)	(3)	
CL8	L type φ8 push-in fitting (upward)				(3)	(4)
CL10	L type φ10 push-in fitting (upward)					(4)
CD4	L type φ4 push-in fitting (downward)	(2)		(2)		
CD6	L type φ6 push-in fitting (downward)	(2)	(3)	(2)	(3)	
CD8	L type φ8 push-in fitting (downward)		(3)		(3)	(4)
CD10	L type φ10 push-in fitting (downward)					(4)
CX	Push-in fitting mix	(2)	(3)	(2)	(3)	(4)
M5	M5	(2)		(2)		
06	Rc1/8		(3)		(3)	
08	Rc1/4					(4)
00	Discrete valve for mounting base	●	●	●	●	●

**D** Reduced wiring connection (light and surge suppressor provided as standard)  
Refer to the next page for wire connections.

<b>E Terminal and connector pin array</b>						
Blank	Standard wiring	Note 5	●	●	●	●
W	Double wiring	Note 5	●	●	●	●

<b>F Option</b>						
Blank	Non-locking/locking common manual override		●	●	●	●
H	With malfunction prevention valve	Note 6	●	●	●	●
A	Ozone/Cutting oil proof		●	●	●	●
F	A/B port filter integrated	Note 7	●	●	●	●
Z1	Air supply spacer	Note 8	●	●	●	●
Z2	In stop valve spacer	Note 8	●	●	●	●
Z3	Exhaust spacer	Note 8	●	●	●	●

<b>G Mount type</b>						
Blank	Direct mount type	Note 9	●	●	●	●
D	DIN rail mount type		●	●	●	●

<b>H Station no.</b>						
2	2 stations					
to	to	●	●	●	●	●
20	Refer to page 450 for the max. station no. per port size.					

<b>I Voltage</b>						
3	24 VDC	●	●	●	●	●
4	12 VDC	●	●	●	●	●

is not available.

# M4GE1, 2, 3-T\* (D) Series

Reduced wiring manifold; base piping

Symbol	Descriptions	A Model No.				
		3GE1	3GE2	4GE1	4GE2	4GE3
<b>D Reduced wiring connection (light and surge suppressor provided as standard) 12/24 VDC</b>						
T10	Common terminal block (M3 thread)	Left side specifications	●	●	●	●
T10R		Right side specifications	●	●	●	●
T11	Common terminal block (push tightening)	Left side specifications	●	●	●	●
T11R		Right side specifications	●	●	●	●
T30	D sub-connector	Left side specifications	●	●	●	●
T30R	20 pin flat cable connector (with power supply terminal)	Right side specifications	●	●	●	●
T50R		Right side specifications	●	●	●	●
T51	20 pin flat cable connector (without power supply terminal)	Left side specifications	●	●	●	●
T51R		Right side specifications	●	●	●	●
T52	10 pin flat cable connector (without power supply terminal)	Left side specifications	●	●	●	●
T52R		Right side specifications	●	●	●	●
T53	26 pin flat cable connector (without power supply terminal)	Left side specifications	●	●	●	●
T53R		Right side specifications	●	●	●	●
<b>D Serial transmission (light and surge suppressor provided as standard) 24 VDC</b>						
T6A0	UNIWIRES SYSTEM	NPN 8 points	●	●	●	●
T6A1		NPN 16 points	●	●	●	●
T6C0	CompoBus/S	NPN 8 points	●	●	●	●
T6C1		NPN 16 points	●	●	●	●
T6E0	S-LINK	NPN 8 points	●	●	●	●
T6E1		NPN 16 points	●	●	●	●
T6G1	CC-Link	NPN 16 points	●	●	●	●
T6J0	UNIWIRES H SYSTEM	NPN 8 points	●	●	●	●
T6J1		NPN 16 points	●	●	●	●
T8G1	CC-Link (Thin type)	NPN 16 points	●	●	●	●
T8G2		NPN 32 points	●	●	●	●
T8GP1		PNP 16 points	●	●	●	●
T8GP2		PNP 32 points	●	●	●	●
T8P1	PROFIBUS-DP (Thin type)	NPN 16 points	●	●	●	●
T8P2		NPN 32 points	●	●	●	●
T8PP1		PNP 16 points	●	●	●	●
T8PP2		PNP 32 points	●	●	●	●
T8EC1	EtherCAT (Thin type)	NPN 16 points	●	●	●	●
T8EC2		NPN 32 points	●	●	●	●
T8ECP1		PNP 16 points	●	●	●	●
T8ECP2		PNP 32 points	●	●	●	●
T8EN1	EtherNet/IP (Thin type)	NPN 16 points	●	●	●	●
T8EN2		NPN 32 points	●	●	●	●
T8ENP1		PNP 16 points	●	●	●	●
T8ENP2		PNP 32 points	●	●	●	●
A2N	Without lead wire (without socket) / With surge suppressor/light		●	●	●	●

Ozone proof specifications / Cutting oil proof type specifications

Select the option "A" of (F) in how to order on page 452.

Specifications for secondary battery

● In order to be applicable for secondary battery manufacturing process, confine materials for air passage and sliding section

\*\* - Voltage - **P4**

4GAB  
M4GAB  
MN4GAB  
4GAB Master valve  
4GD/E  
M4GD/E  
MN4GD/E  
Technical data  
Safety precautions  
Manifold Specifications

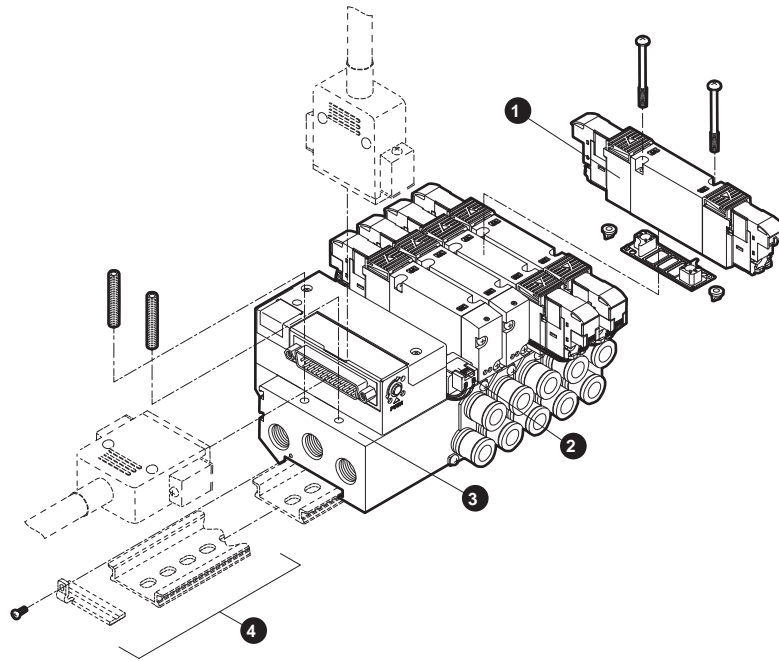
# M4GE1, 2, 3-T\* (D) Series

Reduced wiring manifold; base piping

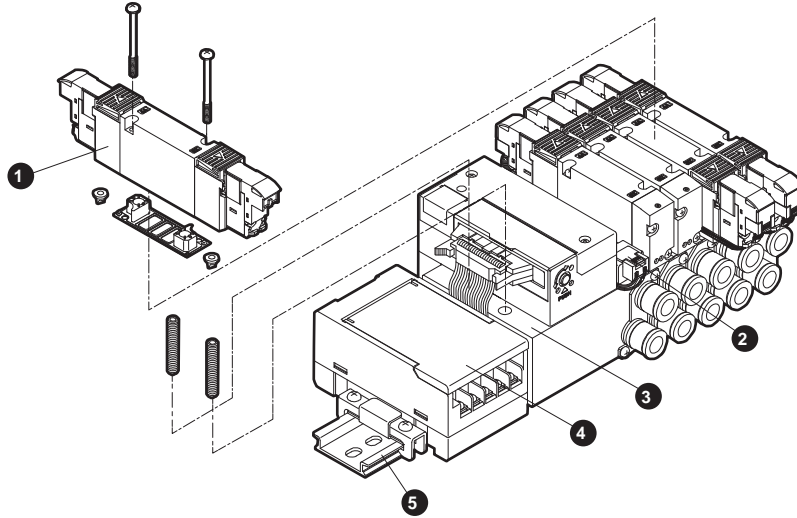
Manifold components explanation and parts list

4GAVB
M4GAVB
MN4GAVB
4GAVB Master valve
4GD/E
M4GD/E
MN4GD/E
Technical data
Safety precautions
Manifold Specifications

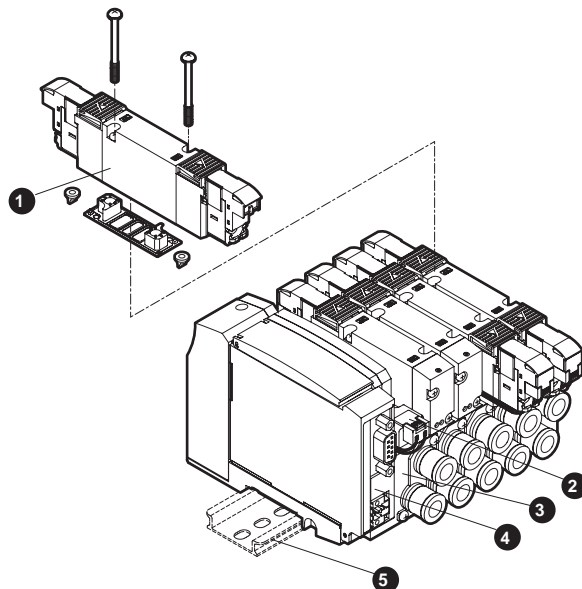
## ● T30



## ● T6D



## ● T8\*





# M4GE1, 2, 3-T\* (D) Series

Reduced wiring manifold; base piping; serial transmission

## Main components list

No.	Component name	Model no.	Descriptions	Remarks
1	Discrete valve for mounting base	<sup>3</sup> GE**9R-00-A2N-Option-Voltage <sup>4</sup> 	Discrete valve Gasket Set screw 2 (PR check valve 2)	Details on page 452
2	Masking plate	3G1 & 4G1	4G1R-MP	Masking plate
		3G2 & 4G2	4G2R-MP	Gasket
		3G2 & 4G3	4G3R-MP	Set screw 2
3	Manifold base assembly	M4GB*R-Port size-T56-Option-Station no 	Manifold base Electrical block	
4	Serial transmission slave unit	4GR-OPP3-Wiring method	OPP3	Details on page 135
		4GR-OPP7-Wiring method	OPP7	
5	DIN rail kit			Details on page 481

## Parts list

No.	Parts name	Model no.	No.	Parts name	Model no.
-	Coil assembly	4GR-A2N- *-COIL-Voltage Blank: Standard A: Ozone/cutting oil specifications	-	Cartridge type push-in fitting and related parts	4G1 φ4 straight type 4G1R-JOINT-C4 φ6 straight type 4G1R-JOINT-C6 φ4 elbow type 4G1R-JOINT-CL4,CLL4 φ6 elbow type 4G1R-JOINT-CL6,CLL6 Plug cartridge 4G1R-JOINT-CPG
-	A type connector socket assembly Details on page 613	4G * R-SOCKET-ASSY-A- ** Row no. Blank: Left side, R: Right side A: aSOL side, B: bSOL side n: Specify the position of the valve to be connected			4G2 φ4 straight type 4G2R-JOINT-C4 φ6 straight type 4G2R-JOINT-C6 φ8 straight type 4G2R-JOINT-C8 φ6 elbow type 4G2R-JOINT-CL6,CLL6 φ8 elbow type 4G2R-JOINT-CL8,CLL8 Plug cartridge 4G2R-JOINT-CPG
					4G3 φ6 straight type 4G3R-JOINT-C6 φ8 straight type 4G3R-JOINT-C8 φ10 straight type 4G3R-JOINT-C10 φ8 elbow type 4G3R-JOINT-CL8,CLL8 φ10 elbow type 4G3R-JOINT-CL10,CLL10 Plug cartridge 4G3R-JOINT-CPG

4GAB

M4GAB

MN4GAB

4GAB  
Master valve

4GD/E

M4GD/E

MN4GD/E


Technical data

Safety  
precautions

Manifold  
Specifications

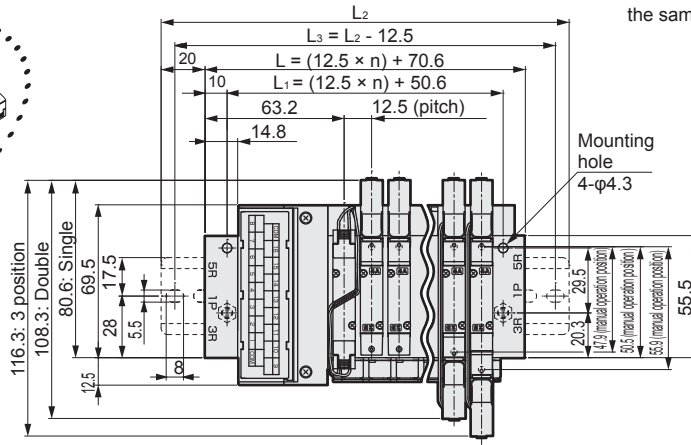
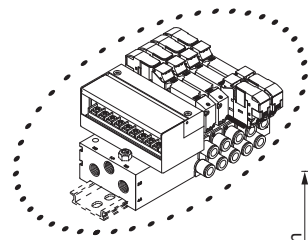
# M4GE1-T\* Series

Reduced wiring manifold; base piping

Dimensions 

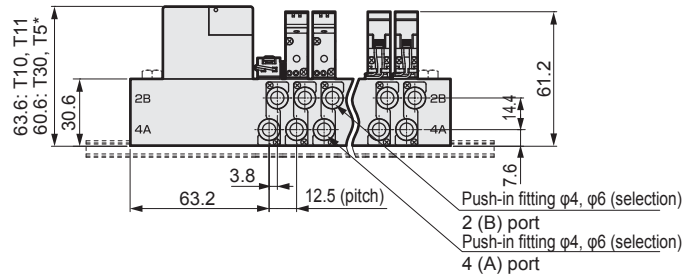
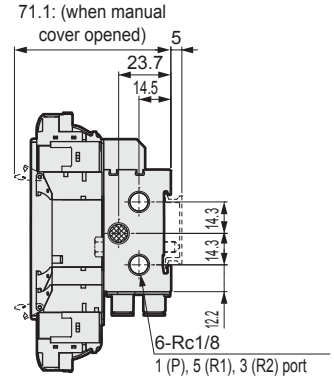
## M4GE1

● Reduced wiring Left side type (T10/T11/T30/T50/T51/T52/T53)



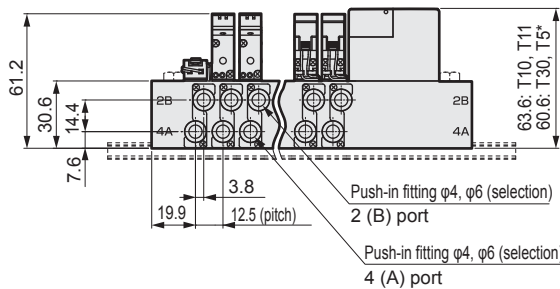
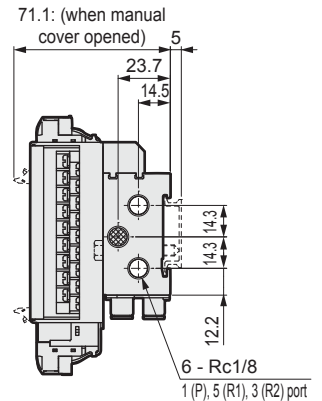
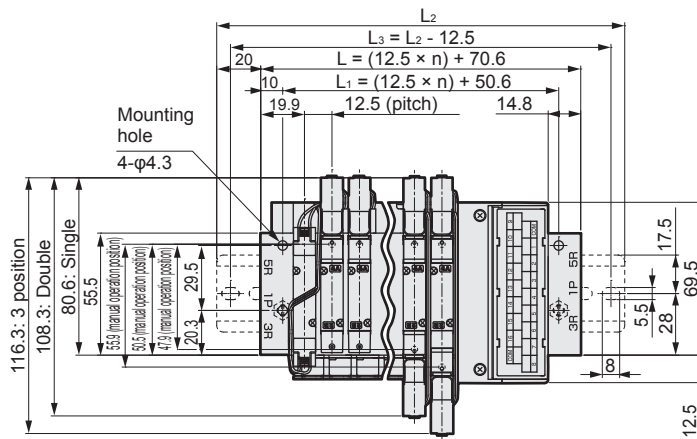
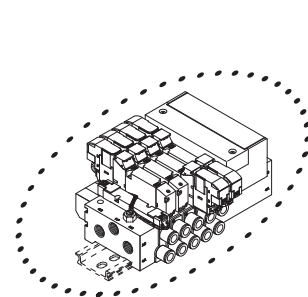
\*1 This drawing shows T10. Refer to page 466 to 467 for detailed dimensions of the electrical block.

\*2 The dimension of dual 3 port valve integrated type is the same as that of the double type.



Note: Refer to page 468 for details on the push-in fitting elbow type (upward) (downward).

● Reduced wiring Right side type (T10R/T11R/T30R/T50R/T51R/T52R/T53R)



Station no.	2	3	4	5	6	7	8	9	10	11	12	13	14	15	16	17	18	19	20
L	95.6	108.1	120.6	133.1	145.6	158.1	170.6	183.1	195.6	208.1	220.6	233.1	245.6	258.1	270.6	283.1	295.6	308.1	320.6
L <sub>1</sub>	75.6	88.1	100.6	113.1	125.6	138.1	150.6	163.1	175.6	188.1	200.6	213.1	225.6	238.1	250.6	263.1	275.6	288.1	300.6
L <sub>2</sub>	137.5	150.0	162.5	175.0	187.5	200.0	212.5	225.0	237.5	250.0	262.5	275.0	287.5	300.0	312.5				
L <sub>3</sub>	125.0	137.5	150.0	162.5	175.0	187.5	200.0	212.5	225.0	237.5	250.0	262.5	275.0	287.5	300.0				

4GAB  
M4GAB  
MN4GAB  
4GAB Master valve  
4GD/E  
M4GD/E  
MN4GD/E  
Technical data  
Safety precautions  
Manifold Specifications

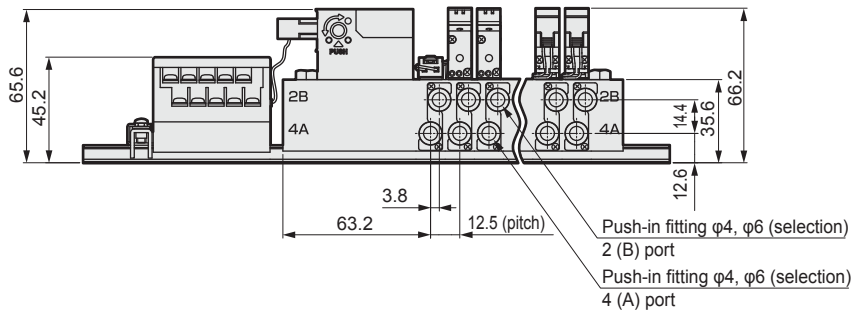
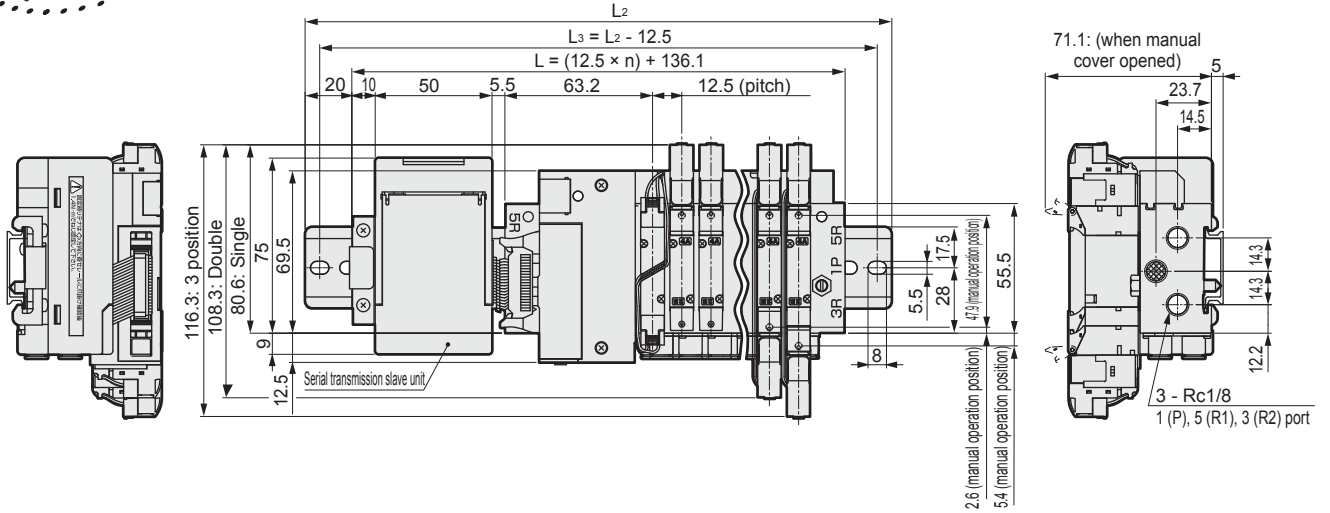
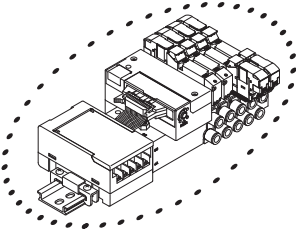
## Dimensions



### M4GE1

- Serial transmission (T6\*)
- DIN rail mounting type (D)

\* The dimension of dual 3 port valve integrated type is the same as that of the double type.



Station no.	2	3	4	5	6	7	8	9	10	11	12	13	14	15	16
L	161.1	173.6	186.1	198.6	211.1	223.6	236.1	248.6	261.1	273.6	286.1	298.6	311.1	323.6	336.1
L <sub>2</sub>	212.5	225.0	237.5	250.0	262.5	275.0	287.5	300.0	312.5	325.0	337.5	350.0	362.5	375.0	387.5
L <sub>3</sub>	200.0	212.5	225.0	237.5	250.0	262.5	275.0	287.5	300.0	312.5	325.0	337.5	350.0	362.5	375.0

# M4GE3-T8\* Series

Reduced wiring manifold; base piping; serial transmission

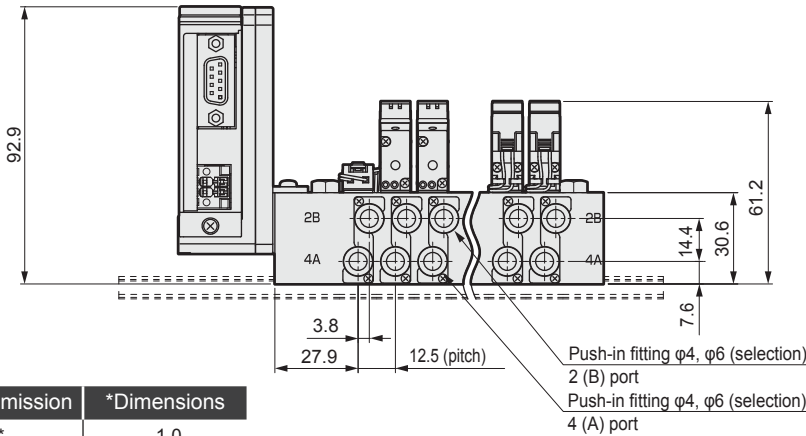
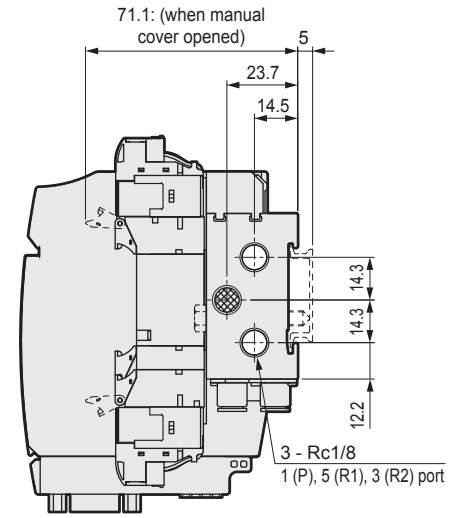
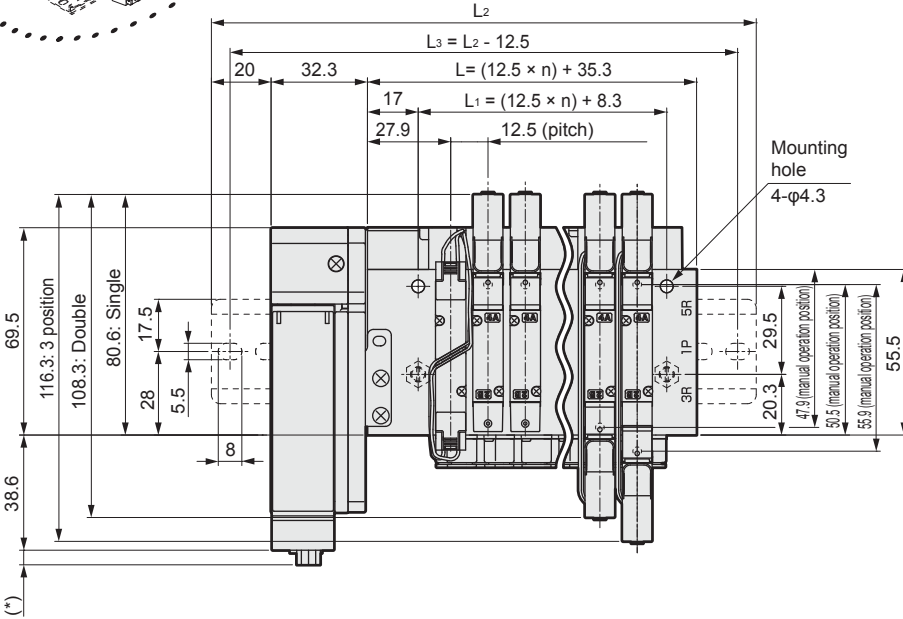
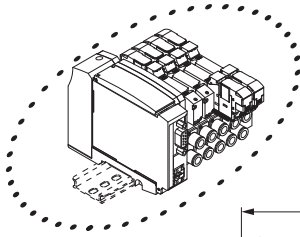
## Dimensions



### M4GE1

- Serial transmission (T8)
- DIN rail mounting type (D)

\* The dimension of dual 3 port valve integrated type is the same as that of the double type.



Serial transmission	*Dimensions
T8G*	1.0
T8P*	4.9
T8E*	3.0

Station no.	2	3	4	5	6	7	8	9	10	11	12	13	14	15	16	17	18	19	20
L	60.3	72.8	85.3	97.8	110.3	122.8	135.3	147.8	160.3	172.8	185.3	197.8	210.3	222.8	235.3	247.8	260.3	272.8	285.3
L1	33.3	45.8	58.3	70.8	83.3	95.8	108.3	120.8	133.3	145.8	158.3	170.8	183.3	195.8	208.3	220.8	233.3	245.8	258.3
L2	137.5	150.0	162.5	175.0	187.5	200.0	212.5	225.0	237.5	250.0	262.5	275.0	287.5	300.0	312.5				
L3	125.0	137.5	150.0	162.5	175.0	187.5	200.0	212.5	225.0	237.5	250.0	262.5	275.0	287.5	300.0				

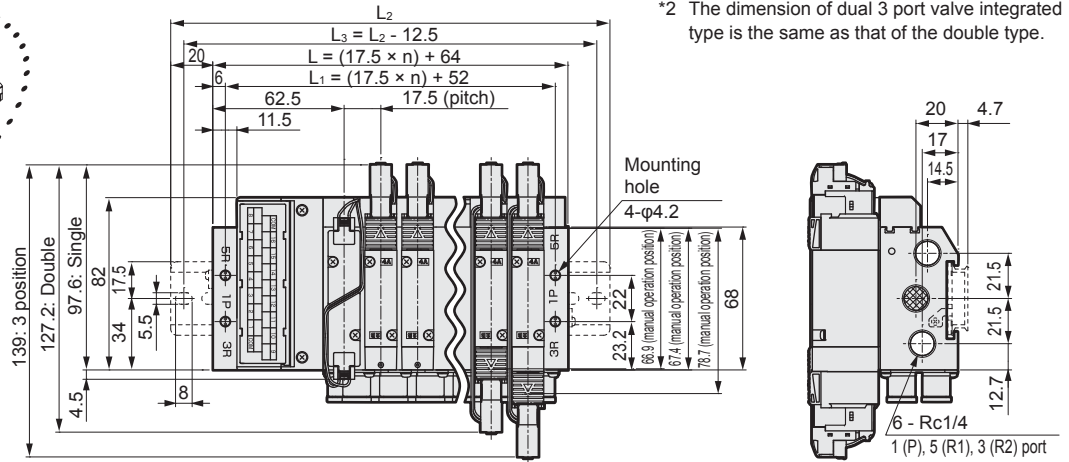
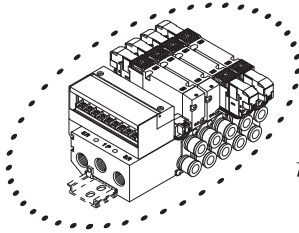
4GAB  
M4GAB  
MN4GAB  
4GAB Master valve  
4GD/E  
M4GD/E  
MN4GD/E  
Technical data  
Safety precautions  
Manifold Specifications

### Dimensions



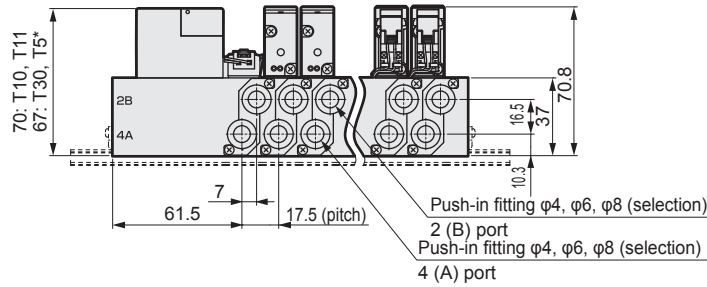
### M4GE2

#### ● Reduced wiring Left side type (T10/T11/T30/T50/T51/T52/T53)

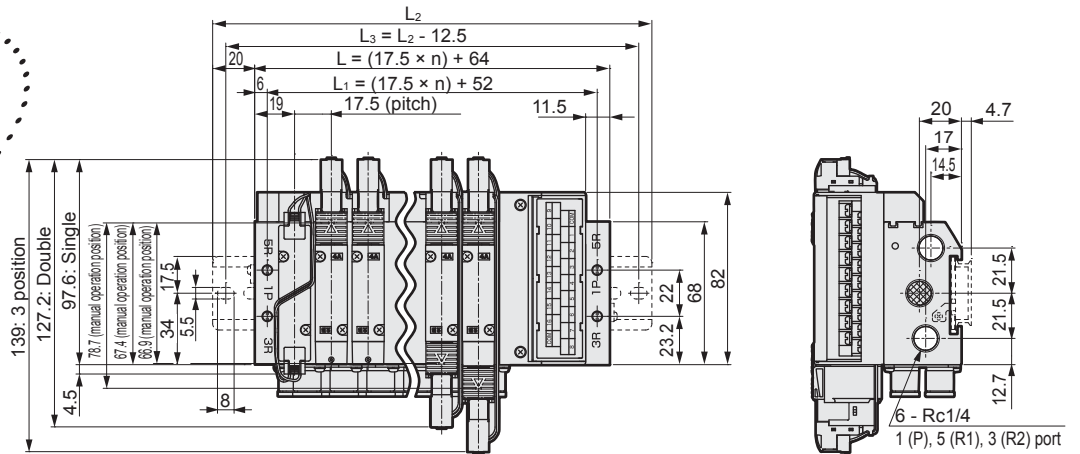
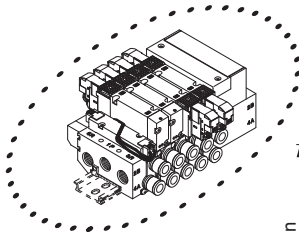


\*1 This drawing shows T10. Refer to page 466 to 467 for detailed dimensions of the electrical block.

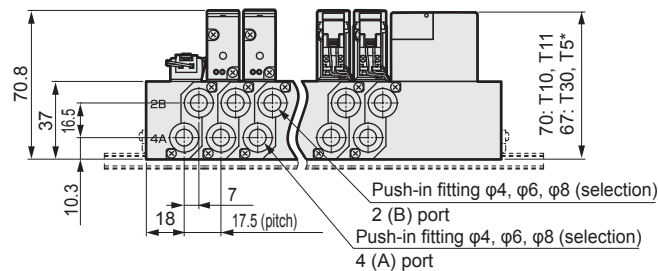
\*2 The dimension of dual 3 port valve integrated type is the same as that of the double type.



#### ● Reduced wiring Right side type (T10R/T11R/T30R/T50R/T51R/T52R/T53R)



Note: Refer to page 468 for details on the push-in fitting elbow type (upward) (downward).



Station no.	2	3	4	5	6	7	8	9	10	11	12	13	14	15	16	17	18	19	20
L	99.0	116.5	134.0	151.5	169.0	186.5	204.0	221.5	239.0	256.5	274.0	291.5	309.0	326.5	344.0	361.5	379.0	396.5	414.0
L <sub>1</sub>	87.0	104.5	122.0	139.5	157.0	174.5	192.0	209.5	227.0	244.5	262.0	279.5	297.0	314.5	332.0	349.5	367.0	384.5	402.0
L <sub>2</sub>	150.0	162.5	175.0	200.0	212.5	237.5	250.0	262.5	287.5	300.0	325.0	337.5	350.0	375.0	387.5				
L <sub>3</sub>	137.5	150.0	162.5	187.5	200.0	225.0	237.0	250.0	275.0	287.5	312.5	325.0	337.5	362.5	375.0				

# M4GE1-T6D Series

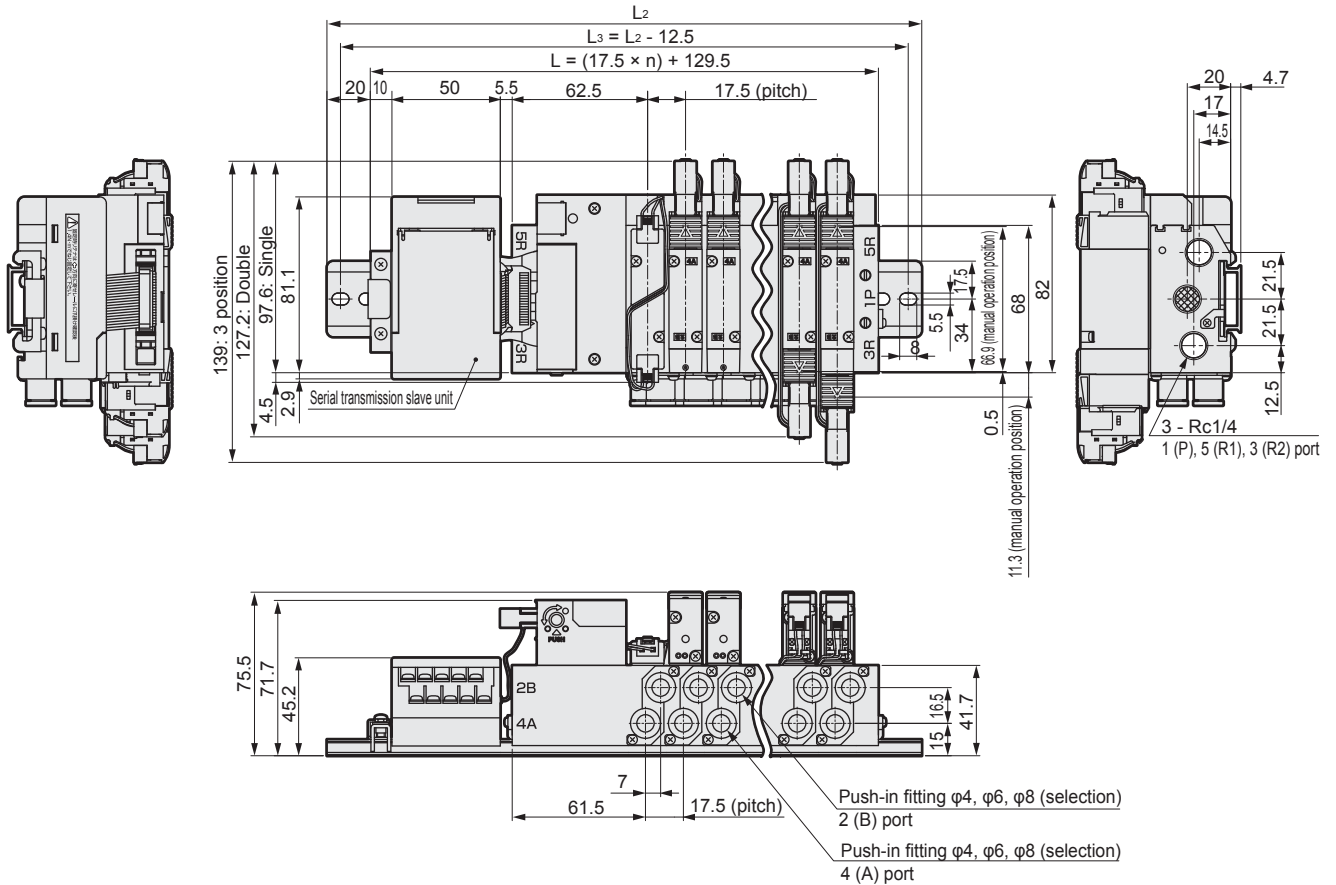
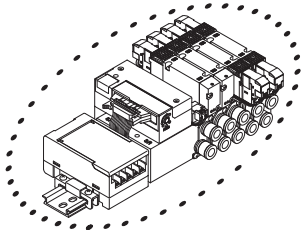
Reduced wiring manifold; base piping; serial transmission

Dimensions 

## M4GE2

- Serial transmission (T6\*)
- DIN rail mounting type (D)

\* The dimension of dual 3 port valve integrated type is the same as that of the double type.



Station no.	2	3	4	5	6	7	8	9	10	11	12	13	14	15	16
L	164.5	182.0	199.5	217.0	234.5	252.0	269.5	287.0	304.5	322.0	339.5	357.0	374.5	392.0	409.5
L <sub>2</sub>	212.5	225.0	250.0	262.5	275.0	300.0	312.5	337.5	350.0	362.5	387.5	400.0	425.0	437.5	450.0
L <sub>3</sub>	200.0	212.5	237.5	250.0	262.5	287.5	300.0	325.0	337.5	350.0	375.0	387.5	412.5	425.0	437.5

4GAB  
M4GAB/B  
MN4GAB  
4GAB Master valve  
4GD/E  
M4GD/E  
MN4GD/E  
Technical data  
Safety precautions  
Manifold Specifications

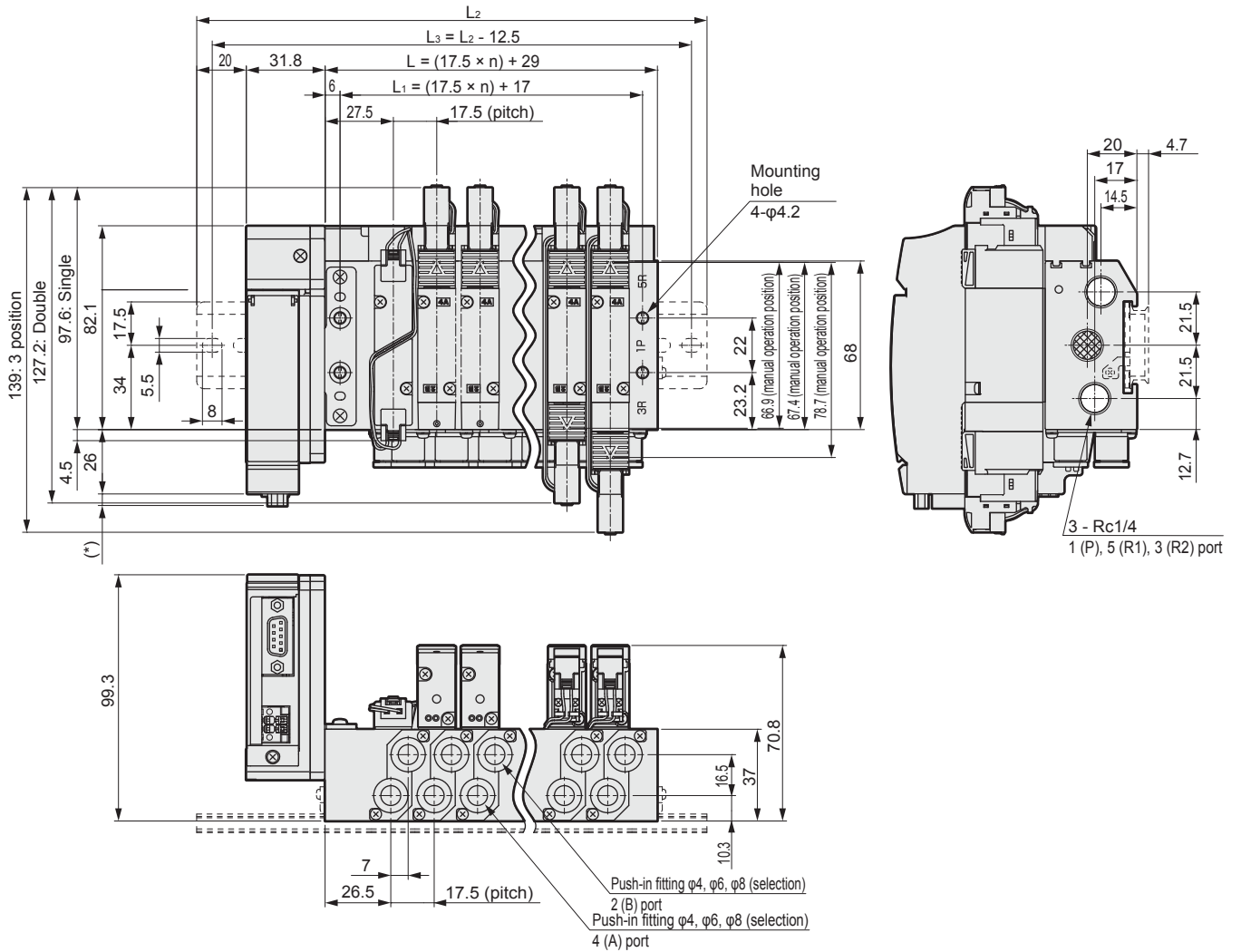
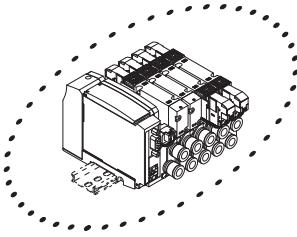
### Dimensions



### M4GE2

- Serial transmission (T8)
- DIN rail mounting type (D)

\* The dimension of dual 3 port valve integrated type is the same as that of the double type.



Serial transmission	*Dimensions
T8G*	1.0
T8P*	4.9
T8E*	3.0

Station no.	2	3	4	5	6	7	8	9	10	11	12	13	14	15	16	17	18	19	20
L	64.0	81.5	99.0	116.5	134.0	151.5	169.0	186.5	204.0	221.5	239.0	256.5	274.0	291.5	309.0	326.5	344.0	361.5	379.0
L <sub>1</sub>	52.0	69.5	87.0	104.5	122.0	139.5	157.0	174.5	192.0	209.5	227.0	244.5	262.0	279.5	297.0	314.5	332.0	349.5	367.0
L <sub>2</sub>	137.5	162.5	175.0	200.0	212.5	225.0	250.0	262.5	287.5	300.0	312.5	337.5	350.0	375.0	387.5				
L <sub>3</sub>	125.0	150.0	162.5	187.5	200.0	212.5	237.5	250.0	275.0	287.5	300.0	325.0	337.5	362.5	375.0				

# M4GE3-T\* Series

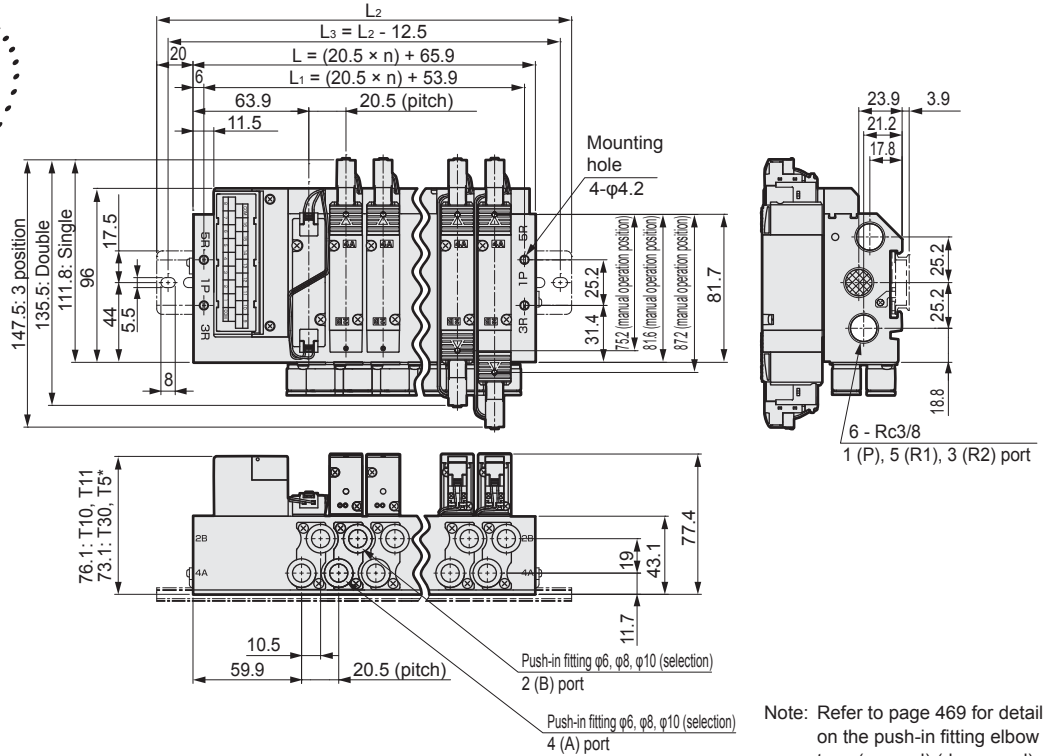
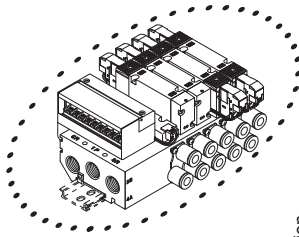
Reduced wiring manifold; base piping

Dimensions 

## M4GE3

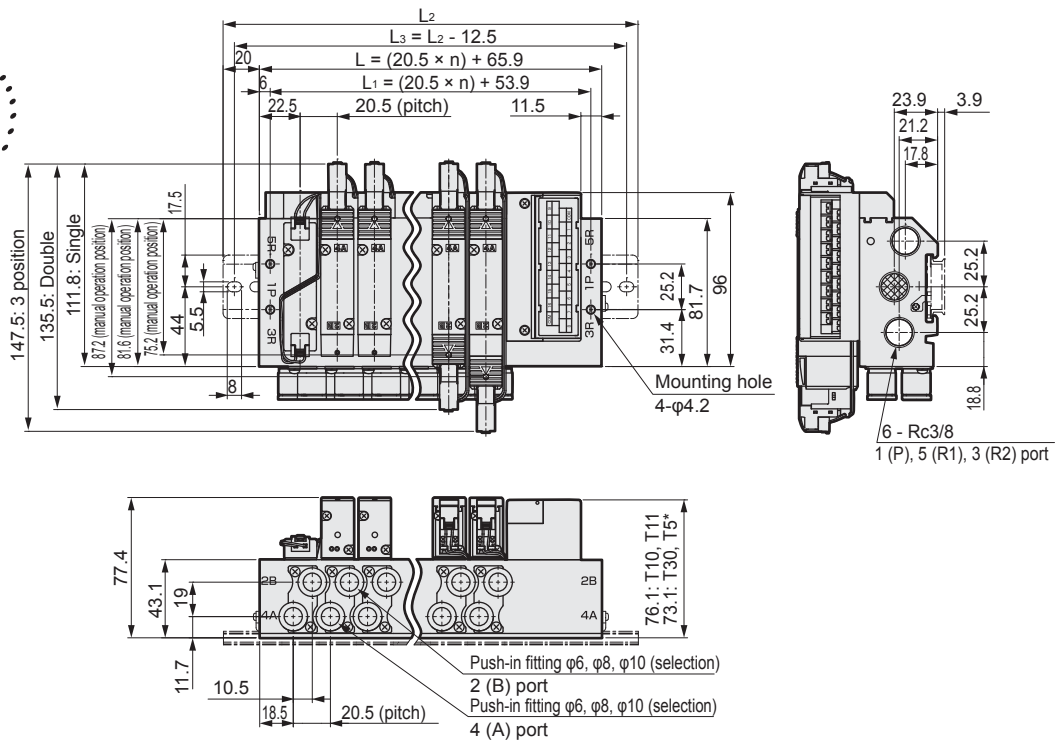
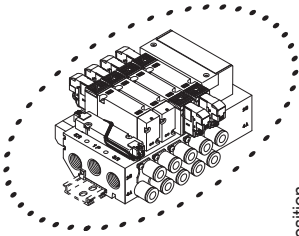
● Reduced wiring Left side type (T10/T11/T30/T50/T51/T52/T53)

\* This drawing shows T10. Refer to page 466 to 467 for detailed dimensions of the electrical block.



Note: Refer to page 469 for details on the push-in fitting elbow type (upward) (downward).

● Reduced wiring Right side type (T10R/T11R/T30R/T50R/T51R/T52R/T53R)



Station no.	2	3	4	5	6	7	8	9	10	11	12	13	14	15	16
L	106.9	127.4	147.9	168.4	188.9	209.4	229.9	250.4	270.9	291.4	311.9	332.4	352.9	373.4	393.9
L <sub>1</sub>	94.9	115.4	135.9	156.4	176.9	197.4	217.9	238.4	258.9	279.4	299.9	320.4	340.9	361.4	381.9
L <sub>2</sub>	150.0	175.0	200.0	212.5	237.5	250.0	275.0	300.0	312.5	337.5	362.5	375.0	400.0	412.5	437.5
L <sub>3</sub>	137.5	162.5	187.5	200.0	225.0	237.5	262.5	287.5	300.0	325.0	350.0	362.5	387.5	400.0	425.0

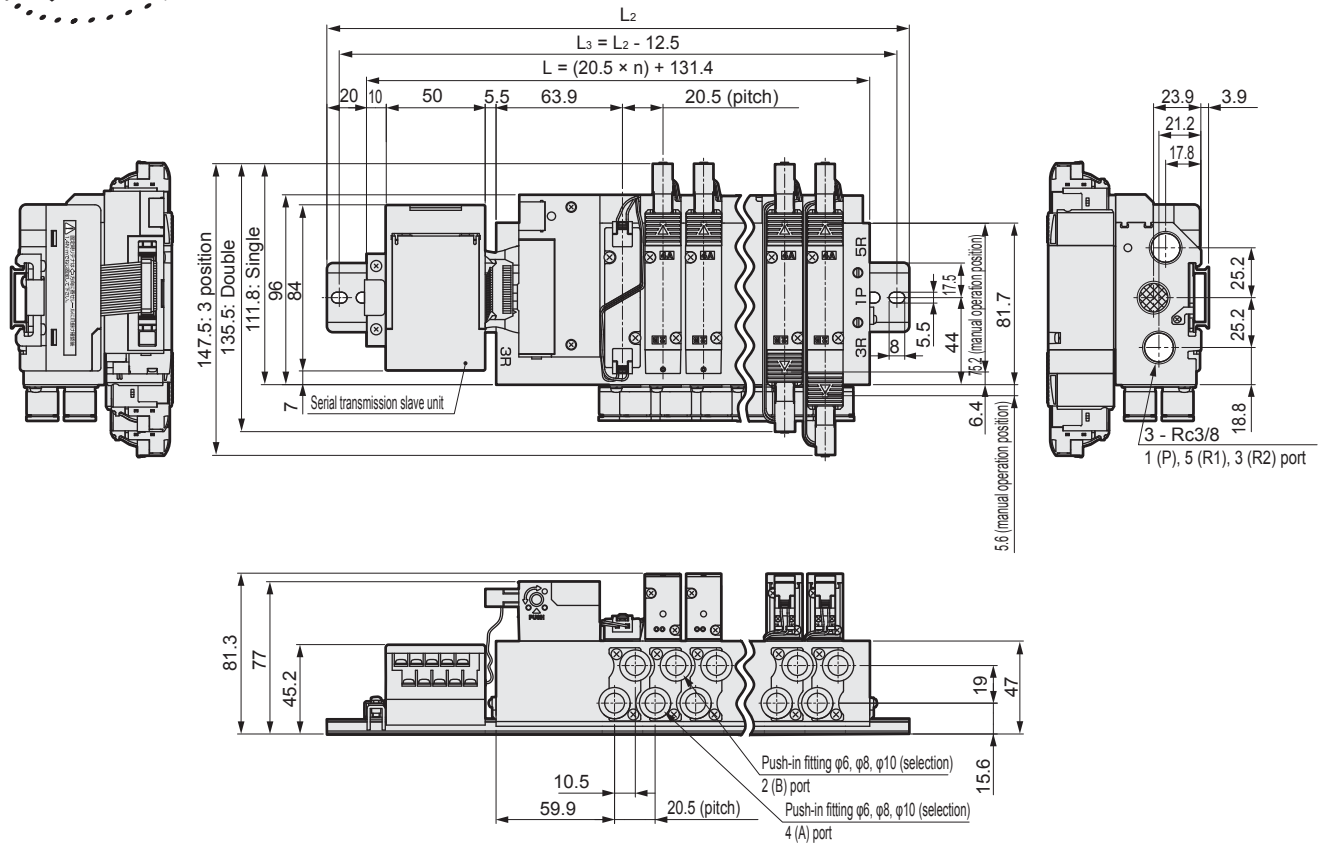
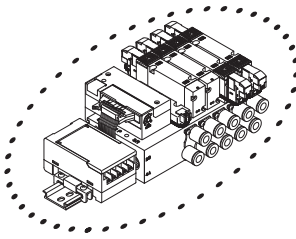
4GAB  
M4GAB/B  
MN4GAB/B  
4GAB Master valve  
4GD/E  
M4GD/E  
MN4GD/E  
Technical data  
Safety precautions  
Manifold Specifications



## Dimensions

### M4GE3


- Serial transmission (T6\*)
- DIN rail mounting type (D)



Station no.	2	3	4	5	6	7	8	9	10	11	12	13	14	15	16
L	172.4	192.9	213.4	233.9	254.4	274.9	295.4	315.9	336.4	356.9	377.4	397.9	418.4	438.9	459.4
L <sub>2</sub>	212.5	237.5	262.5	275.0	300.0	325.0	337.5	362.5	387.5	400.0	425.0	450.0	462.5	487.5	500.0
L <sub>3</sub>	200.0	225.0	250.0	262.5	287.5	312.5	325.0	350.0	375.0	387.5	412.5	437.5	450.0	475.0	487.5

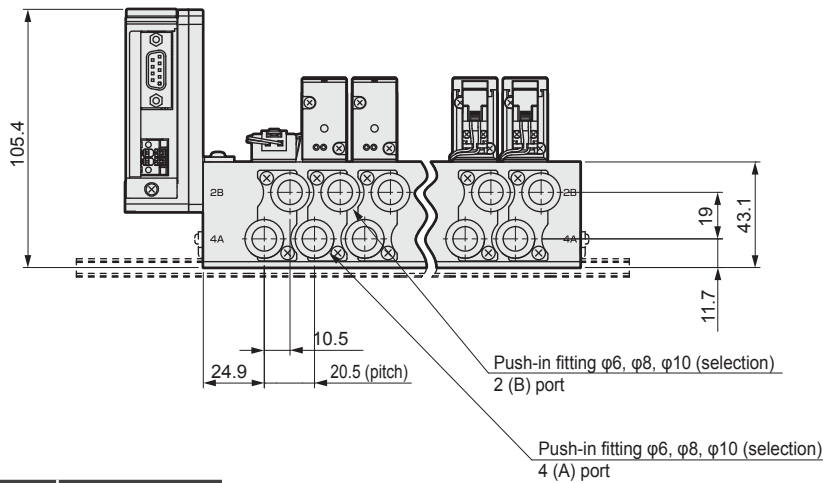
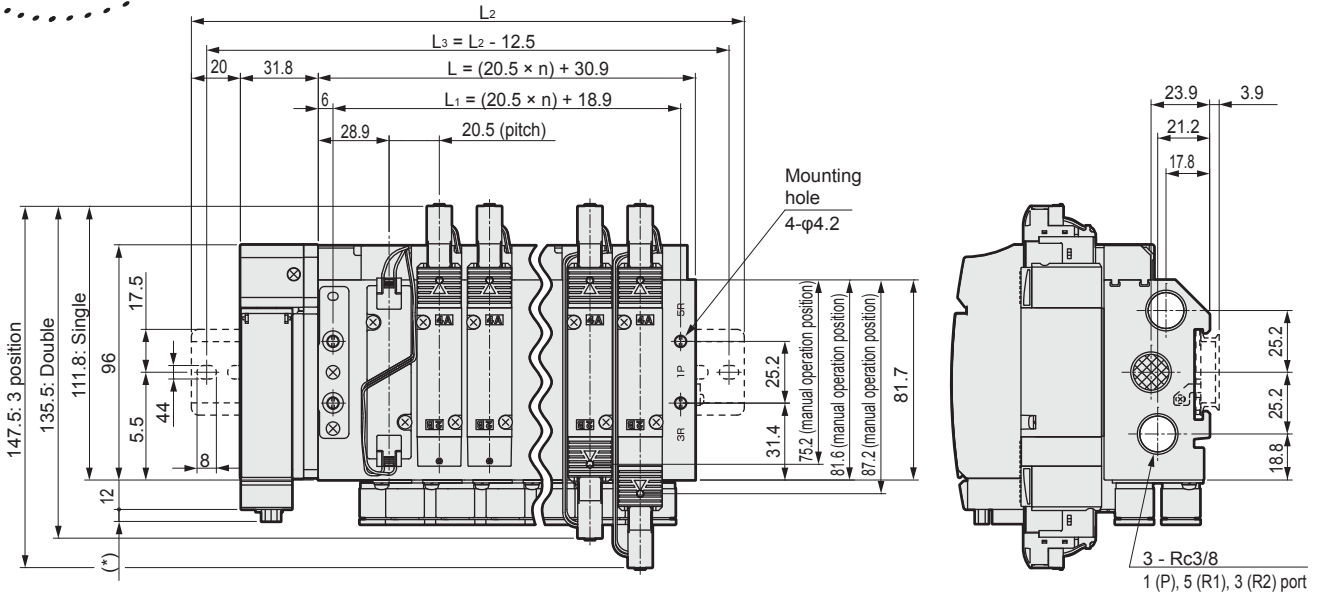
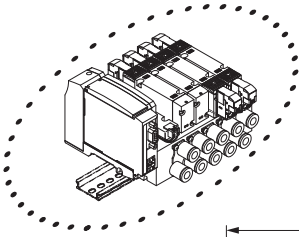
# M4GE3-T8\* Series

Reduced wiring manifold; base piping; serial transmission

Dimensions 

## M4GE3

- Serial transmission (T8)
- DIN rail mounting type (D)



Serial transmission	*Dimensions
T8G*	1.0
T8P*	4.9
T8E*	3.0

Station no.	2	3	4	5	6	7	8	9	10	11	12	13	14	15	16
L	71.9	92.4	112.9	133.4	153.9	174.4	194.9	215.4	235.9	256.4	276.9	297.4	317.9	338.4	358.9
L <sub>1</sub>	59.9	80.4	100.9	121.4	141.9	162.4	182.9	203.4	223.9	244.4	264.9	285.4	305.9	326.4	346.9
L <sub>2</sub>	150.0	175.0	187.5	212.5	237.5	250.0	275.0	287.5	312.5	337.5	350.0	375.0	400.0	412.5	437.5
L <sub>3</sub>	137.5	162.5	175.0	200.0	225.0	237.5	262.5	275.0	300.0	325.0	337.5	362.5	387.5	400.0	425.0

4GAB  
 M4GAB  
 MN4GAB  
 4GAB Master valve  
 4GD/E  
 M4GD/E  
 MN4GD/E  
 Technical data  
 Safety precautions  
 Manifold Specifications

---

# MEMO

---

4GAB	M4GA/B	MN4GA/B	4GAB Master valve	4GD/E	M4GD/E	MN4GD/E	Technical data	Safety precautions	Manifold Specifications
------	--------	---------	----------------------	-------	--------	---------	----------------	-----------------------	----------------------------

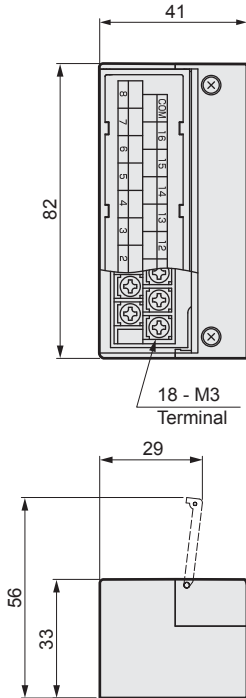
# M4GE1, 2, 3-T\* Series

Reduced wiring manifold; base piping

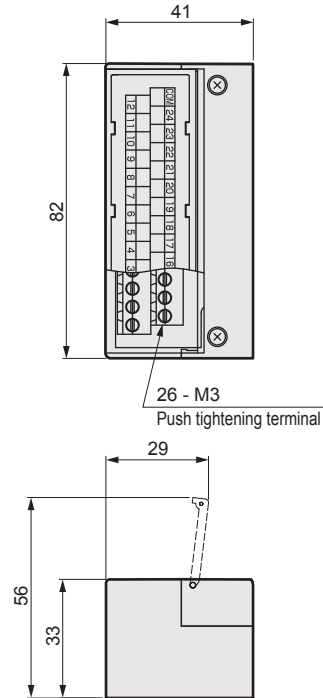
Reduced wiring part: dimensions

4GAB	M4GAB	MN4GAB	4GAB Master valve	4GD/E	M4GD/E	MN4GD/E	Technical data	Safety precautions	Manifold Specifications
------	-------	--------	----------------------	-------	--------	---------	----------------	-----------------------	----------------------------

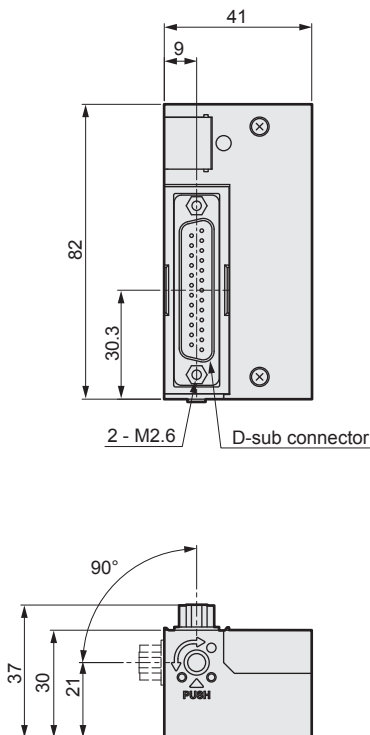
● Common terminal block (M3 thread)  
T10



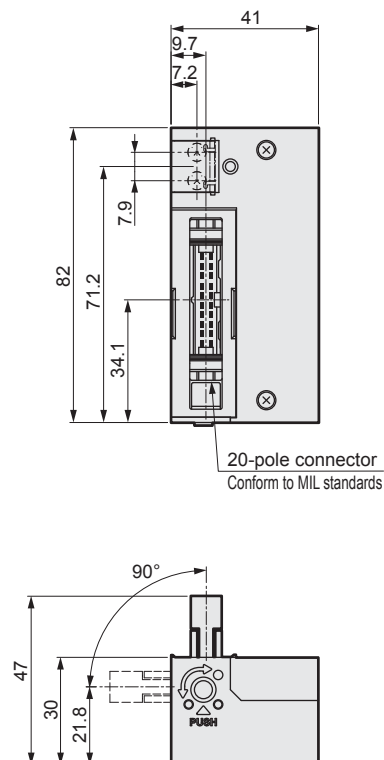
● Common terminal block (push tightening)  
T11



● D-sub connector  
T30

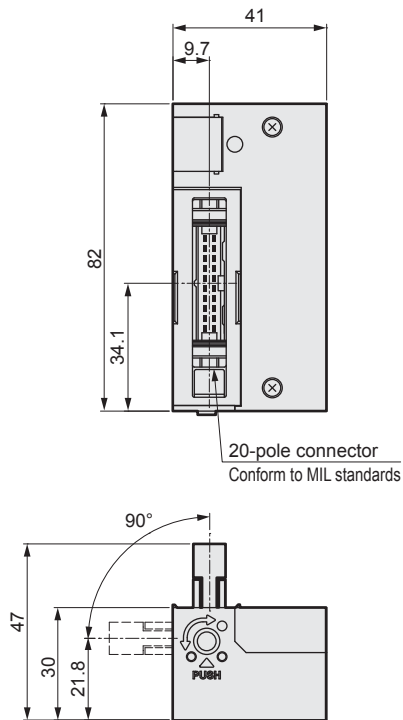


● 20 pin flat cable connector (with power supply terminal)  
T50

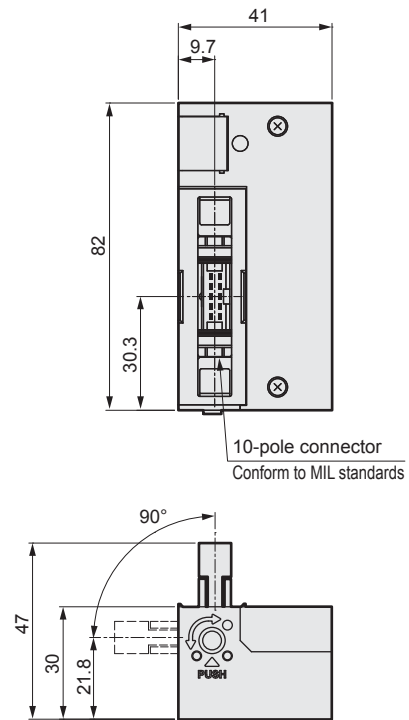


## Reduced wiring part: dimensions

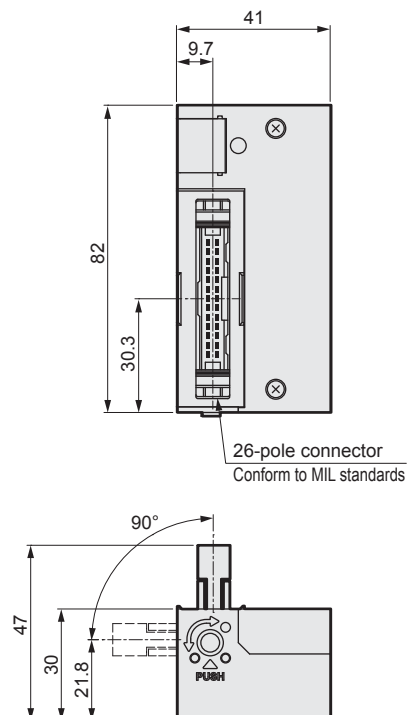
- 20 pin flat cable connector right (without power supply terminal)  
T51



- 10 pin flat cable connector right (without power supply terminal)  
T52



- 26 pin flat cable connector right (without power supply terminal)  
T53



4GAB	M4GA/B	MN4GA/B	4GAB Master valve	4GD/E	M4GD/E	MN4GD/E	Technical data	Safety precautions	Manifold Specifications
------	--------	---------	----------------------	-------	--------	---------	----------------	-----------------------	----------------------------

# M4GE1, 2, 3-T\* Series

Reduced wiring manifold; base piping

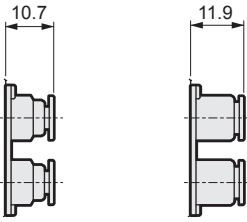
## Dimensions

4GAV/B
M4GAV/B
MN4GAV/B
4GAV/B Master valve
4GD/E
M4GD/E
MN4GD/E
Technical data
Safety precautions
Manifold Specifications

### M4GE1

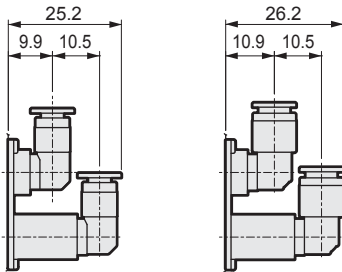
Fitting straight

- $\phi 4$  (C4)
- $\phi 6$  (C6)



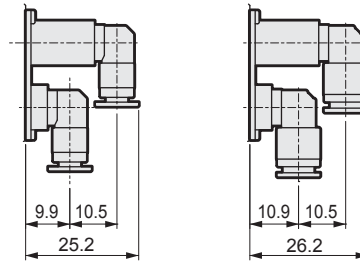
Fitting L type (upward)

- $\phi 4$  (CL4)
- $\phi 6$  (CL6)



Fitting L type (downward)

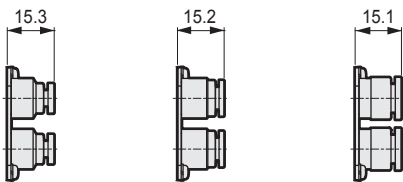
- $\phi 4$  (CD4)
- $\phi 6$  (CD6)



### M4GE2

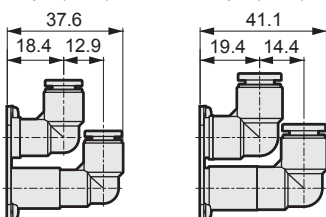
Fitting straight

- $\phi 4$  (C4)
- $\phi 6$  (C6)
- $\phi 8$  (C8)



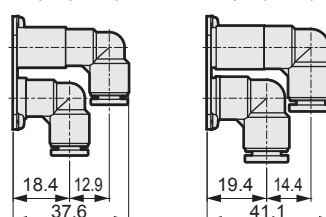
Fitting L type (upward)

- $\phi 6$  (CL6)
- $\phi 8$  (CL8)



Fitting L type (downward)

- $\phi 6$  (CD6)
- $\phi 8$  (CD8)

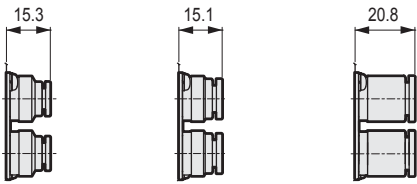


## Dimensions

### M4GE3

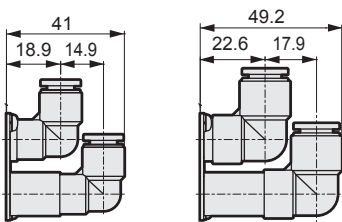
#### Fitting straight

- $\varnothing 6$  (C6)
- $\varnothing 8$  (C8)
- $\varnothing 10$  (C10)



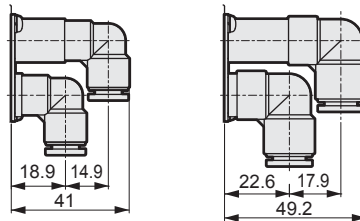
#### Fitting L type (upward)

- $\varnothing 8$  (CL8)
- $\varnothing 10$  (CL10)



#### Fitting L type (downward)

- $\varnothing 8$  (CD8)
- $\varnothing 10$  (CD10)



4GA/B

M4GA/B

MN4GA/B

4GA/B  
Master valve

4GD/E

M4GD/E

MN4GD/E

Technical data

Safety  
precautionsManifold  
Specifications

# M4GE3-T6D/T8 Series

Reduced wiring manifold; base piping; serial transmission

● Discrete serial transmission slave unit

**4GR** - **OPP3** - **0A**

**A** Wiring method

Symbol	Descriptions			
<b>A Wiring method</b>				
<b>0A</b>	T6A0	UNIWIRE SYSTEM	NPN	8 points
<b>1A</b>	T6A1	UNIWIRE SYSTEM		16 points
<b>0C</b>	T6C0	OMRON CompoBus/S		8 points
<b>1C</b>	T6C1	OMRON CompoBus/S		16 points
<b>0E</b>	T6E0	SUNX S-LINK		8 points
<b>1E</b>	T6E1	SUNX S-LINK		16 points
<b>1G</b>	T6G1	CC-Link		16 points
<b>0J</b>	T6J0	UNIWIRE H SYSTEM		8 points
<b>1J</b>	T6J1	UNIWIRE H SYSTEM		16 points

**4GR** - **OPP7** - **2G**

**A** Wiring method

Symbol	Descriptions			
<b>A Wiring method</b>				
<b>1G</b>	T8G1	CC-Link (Thin type)	NPN	16 points
<b>2G</b>	T8G2			32 points
<b>1G-P</b>	T8GP1		PNP	16 points
<b>2G-P</b>	T8GP2			32 points
<b>1P</b>	T8P1	PROFIBUS-DP (Thin type)	NPN	16 points
<b>2P</b>	T8P2			32 points
<b>1P-P</b>	T8PP1		PNP	16 points
<b>2P-P</b>	T8PP2			32 points
<b>1EC</b>	T8EC1	EtherCAT (Thin type)	NPN	16 points
<b>2EC</b>	T8EC2			32 points
<b>1EC-P</b>	T8ECP1		PNP	16 points
<b>2EC-P</b>	T8ECP2			32 points
<b>1EN</b>	T8EN1	EtherNet/IP (Thin type)	NPN	16 points
<b>2EN</b>	T8EN2			32 points
<b>1EN-P</b>	T8ENP1		PNP	16 points
<b>2EN-P</b>	T8ENP2			32 points

4GAB
M4GAB
MN4GAB
4GAB Master valve
4GD/E
M4GD/E
MN4GD/E
Technical data
Safety precautions
Manifold Specifications



---

# MEMO

---

4GAB	M4GA/B	MN4GA/B	4GAB Master valve	4GD/E	M4GD/E	MN4GD/E	Technical data	Safety precautions	Manifold Specifications
------	--------	---------	----------------------	-------	--------	---------	----------------	-----------------------	----------------------------

# M4GD1 to 3/M4GE1 to 3 Series

Related products

Related products

● In stop valve spacer

## Specifications

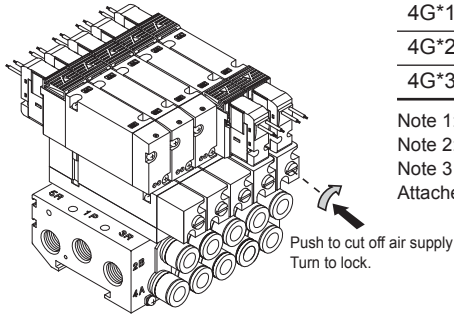
Model no.	P→A/B		A/B→R		Weight g
	C (dm <sup>3</sup> /(s·bar))	b	C (dm <sup>3</sup> /(s·bar))	b	
4G*1	0.54	0.03	0.82	0.27	17
4G*2	1.5	0.17	1.6	0.20	63
4G*3	1.9	0.09	2.8	0.16	80

Note 1: These are values when base piping and 2-position valve are mounted.

Note 2: The effective cross-sectional area when discharging residual pressure is 1.0 mm<sup>2</sup> (reference value).

Note 3: Effective sectional area S and sonic conductance C are converted as  $S \approx 5.0 \times C$ .

Attached product: PR check valve 2, body gasket 1



## How to order discrete part

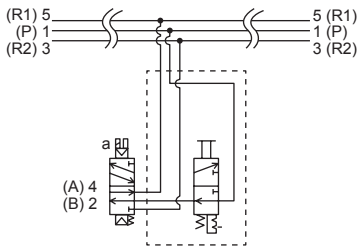
4G1R - IS

4G2R - IS

4G3R - IS

In stop valve spacer

## JIS symbol



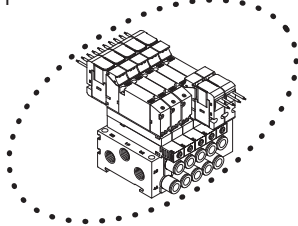
## ⚠ Note on model no. selection

Note 1: Specify the spacer mounting position and quantity in manifold specifications.

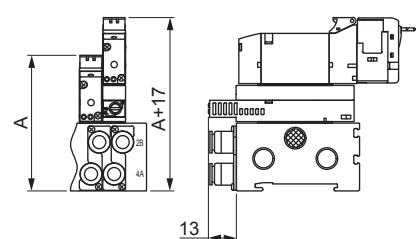
Note 2: When adding to the reduced wiring manifold, the existing electric wire may be too short. Contact CKD for details.

## Dimensions

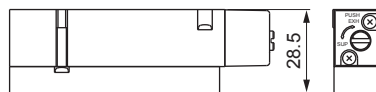
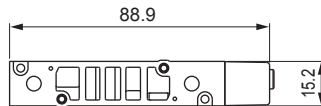
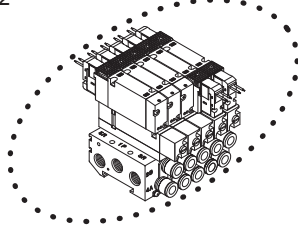
● 4G1



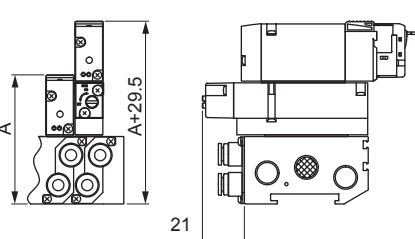
Dimensions when mounted



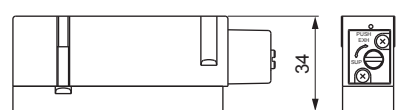
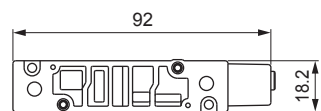
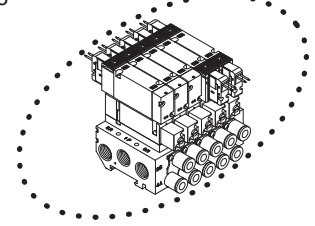
● 4G2



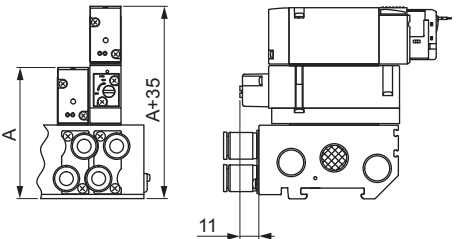
Dimensions when mounted



● 4G3



Dimensions when mounted

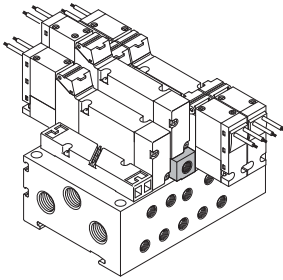


Note: For A dimensions, check the dimensions of respective specifications.

4GAB  
M4GAB  
MN4GAB  
4GAB Master valve  
4GD/E  
M4GD/E  
MN4GD/E  
Technical data  
Safety precautions  
Manifold Specifications

## Related products

### ● Air supply spacer



### Specifications

Model no.	P→A/B		A/B→R		Weight g
	C (dm <sup>3</sup> /(s·bar))	b	C (dm <sup>3</sup> /(s·bar))	b	
4G1	0.70	0.23	0.93	0.16	8
4G2	1.6	0.17	1.8	0.16	35
4G3	2.6	0.22	3.1	0.14	56

Note 1: These are values when a valve is mounted.

Note 2: Effective sectional area S and sonic conductance C are converted as  $S \approx 5.0 \times C$ .

### How to order discrete part

#### ● Air supply spacer

Air supply spacer model no.

**4G** **3** **R - P** - **GWS10**

**A** Air supply spacer model no.

**B** Port size  
Note 1

Symbol	Descriptions	Valve model no.					
		4GD1	4GE1	4GD2	4GE2	4GD3	4GE3
<b>A Air supply spacer model no.</b>							
1	For 4G1	●					
2	For 4G2			●			
3	For 4G3					●	
<b>B Port size</b>							
Blank	M5 thread (4G1), Rc thread (4G2 & 4G3)	(1)	(2)	(3)			
GWS4	φ4 fitting	●					
GWS6	φ6 fitting	●	●				
GWS8	φ8 fitting			●	●		
GWS10	φ10 fitting					●	

is not available.

Accessories: 2 Set screw, 2 PR check valves, 1 Body gasket

### ⚠ Note on model no. selection

Note 1 Blank indicates (1) M5 (2) Rc1/8 (3) Rc1/4.

Note 2 Specify the air supply spacer mounting position and quantity in manifold specifications of each catalog.

Note 3 If the A/B port fitting is the elbow type (upward), turn the air supply port of the air supply spacer toward the reverse side (a solenoid side).

Note 4 If the elbow type (upward) A/B port fitting is used for the reduced wiring manifold, the air supply spacer cannot be selected.

Note 5 Combination with the masking plate is not supported.

# M4GD1 to 3/M4GE1 to 3 Series

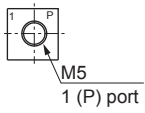
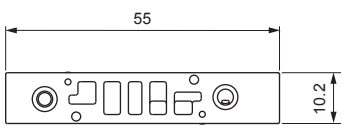
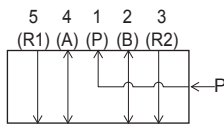
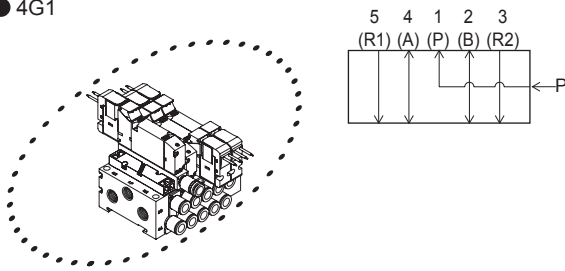
Related products

Related products

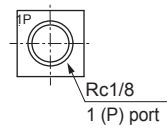
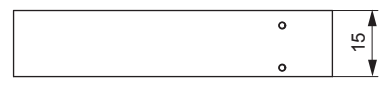
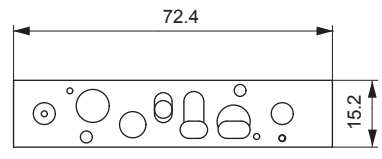
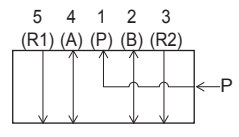
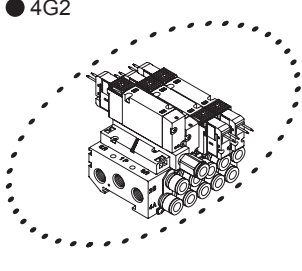
● Air supply spacer

Dimensions

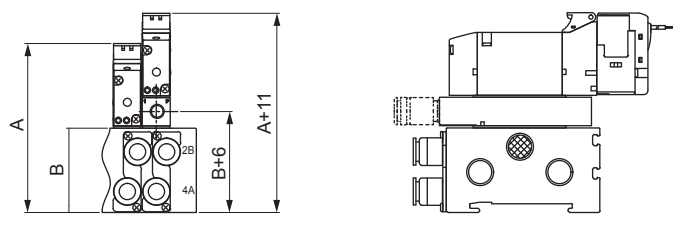
● 4G1



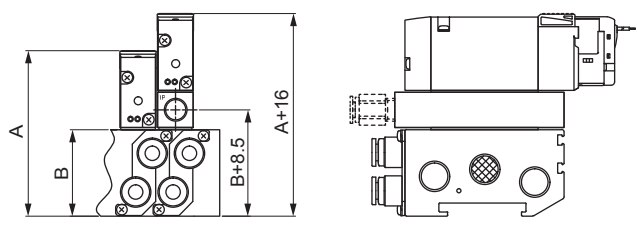
● 4G2



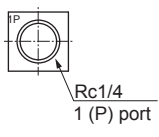
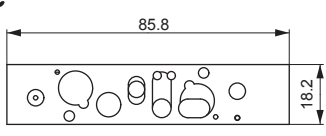
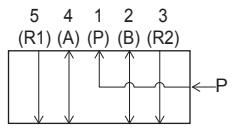
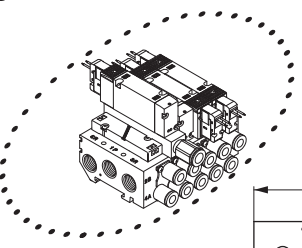
Dimensions when mounted



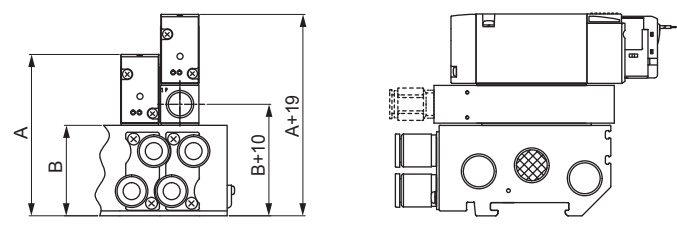
Dimensions when mounted



● 4G3



Dimensions when mounted

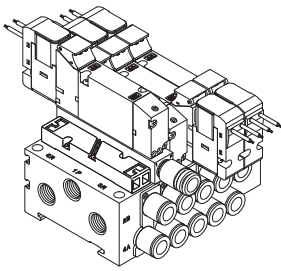


Note: For A, B dimensions, check the dimensions of respective specifications.

4GAB  
M4GAB/B  
MN4GAB  
4GAB  
Master valve  
4GD/E  
M4GD/E  
MN4GD/E  
Technical data  
Safety  
precautions  
Manifold  
Specifications

## Related products

### ● Exhaust spacer



### Specifications

Model no.	P→A/B		A/B→R		Weight g
	C (dm <sup>3</sup> /(s·bar))	b	C (dm <sup>3</sup> /(s·bar))	b	
4G1	0.94	0.28	0.68	0.33	7
4G2	1.5	0.24	1.9	0.24	34
4G3	3.4	0.21	2.9	0.27	58

Note 1: These are values when a valve is mounted.

Note 2: Effective sectional area S and sonic conductance C are converted as  $S \approx 5.0 \times C$ .

### How to order discrete part

#### ● Exhaust spacer

Exhaust spacer model no.

**4G** **3** **R - R** - **GWS10**

**A** Exhaust spacer model no.

**B** Port size  
Note 1

Symbol	Descriptions	Valve model no.					
		4GD1	4GE1	4GD2	4GE2	4GD3	4GE3
<b>A Exhaust spacer model no.</b>							
1	For 4G1	●					
2	For 4G2			●			
3	For 4G3						●
<b>B Port size</b>							
Blank	M5 thread (4G1), Rc thread (4G2 & 4G3)	(1)	(2)	(3)			
GWS4	φ4 fitting	●					
GWS6	φ6 fitting	●	●				
GWS8	φ8 fitting			●		●	
GWS10	φ10 fitting						●

■ is not available.

Accessories: 2 installation screws (Note 2), 2 PR check valves, 1 body gasket

### ⚠ Note on model no. selection

Note 1 Blank indicates (1) M5 (2) Rc1/8 (3) Rc1/4.

Note 2 Refer to manifold specifications in catalogs for the exhaust spacer installation location and amount.

Note 3 If the A/B port fitting is an elbow (upward), the exhaust spacer's operation section will face the reverse side (a solenoid side).

Note 4 When selecting a reduced wiring manifold with an elbow A/B port fitting (upward), the exhaust spacer cannot be used.

Note 5 Combination with the masking plate is not supported.

4GAB

M4GAB

MN4GAB

4GAB  
Master valve

4GD/E

M4GD/E

MN4GD/E

Technical data

Safety  
precautions

Manifold  
Specifications

# M4GD1 to 3/M4GE1 to 3 Series

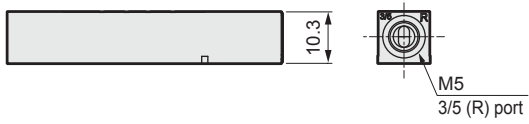
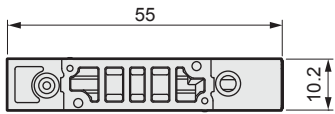
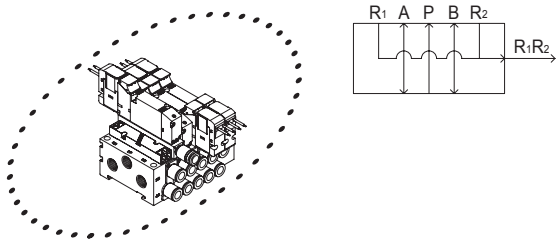
Related products

Related products

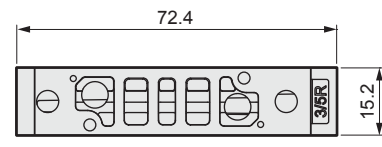
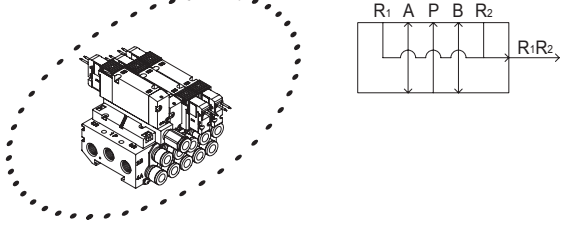
● Exhaust spacer

Dimensions

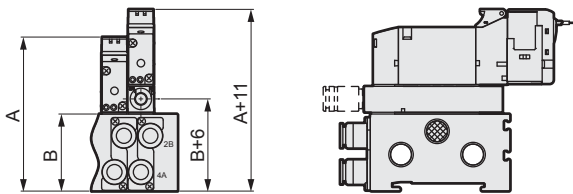
● 4G1



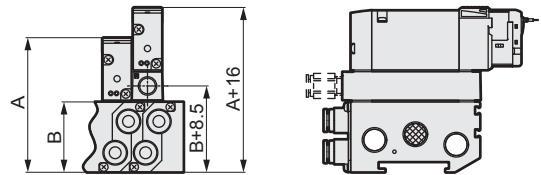
● 4G2



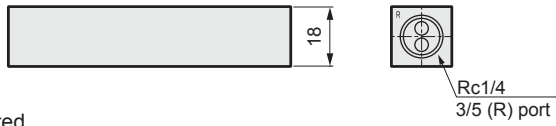
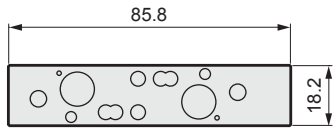
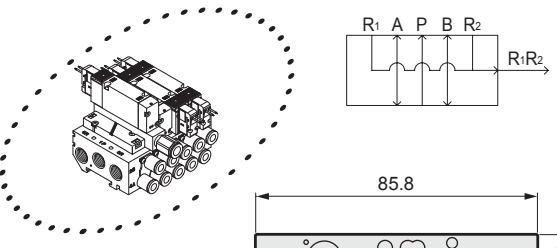
Dimensions when mounted



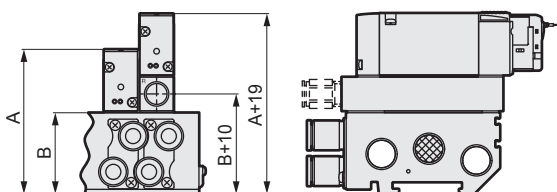
Dimensions when mounted



● 4G3



Dimensions when mounted

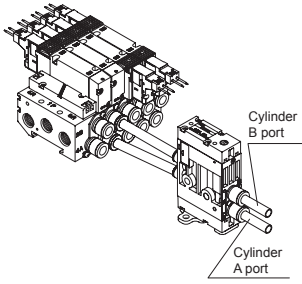


Note: For A, B dimensions, check the dimensions of respective specifications.

4GAB  
M4GAB/B  
MN4GAB  
4GAB  
Master valve  
4GD/E  
M4GD/E  
MN4GD/E  
Technical data  
Safety precautions  
Manifold Specifications

## Related products

### ● Pilot check valve



### How to order

● Discrete model no.

**4G2R - PCS - C4** - ○

● Manifold model no.

**M4G2R - PCS - C4** - ○ - ○ - **5**

Model no.

Pilot check valve

○ Port size  
Note 1

○ Option  
Note 2

○ Station no.

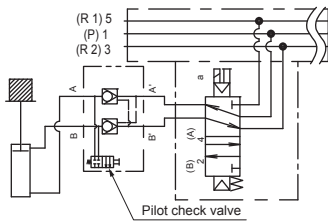
### Specifications

Descriptions	4G2R-PCS-**-*
Effective sectional area	mm <sup>2</sup> 11
Weight	g 200

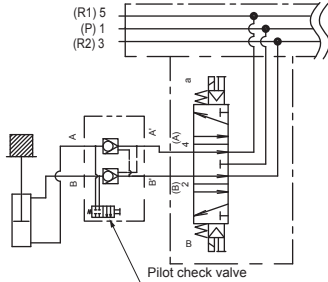
Symbol	Descriptions	
<b>A Port size</b>		
	Valve side port	Cylinder side port
<b>C4</b>	Push-in fitting φ4	Push-in fitting φ4
<b>C6</b>	Push-in fitting φ6	Push-in fitting φ6
<b>C8</b>	Push-in fitting φ8	Push-in fitting φ8
<b>CL6</b>	Push-in fitting φ6	L type φ6 push-in fitting (upward)
<b>CL8</b>	Push-in fitting φ8	L type φ8 push-in fitting (upward)
<b>B Option</b>		
<b>Blank</b>	None	
<b>F</b>	A/B port filter integrated	
<b>M</b>	Manual non-locking	
<b>D</b>	DIN rail mount type	
<b>C Station no.</b>		
<b>2</b>	2 stations	
<b>to</b>	to	
<b>10</b>	10 stations	

### JIS symbol

(Position locking)



### (Stopping)



Example of leak comparison  
All ports closed (solenoid) valve  
10 cm<sup>3</sup>/min or less  
Pilot check valve (4G2R-PCS)  
0 to 0.3 cm<sup>3</sup>/min

⚠ Depending on use conditions, the pilot check valve body may emit resonance due to the air flow when the cylinder operates, but this is not an abnormality. Adjust the pipe length and bore size in that case.

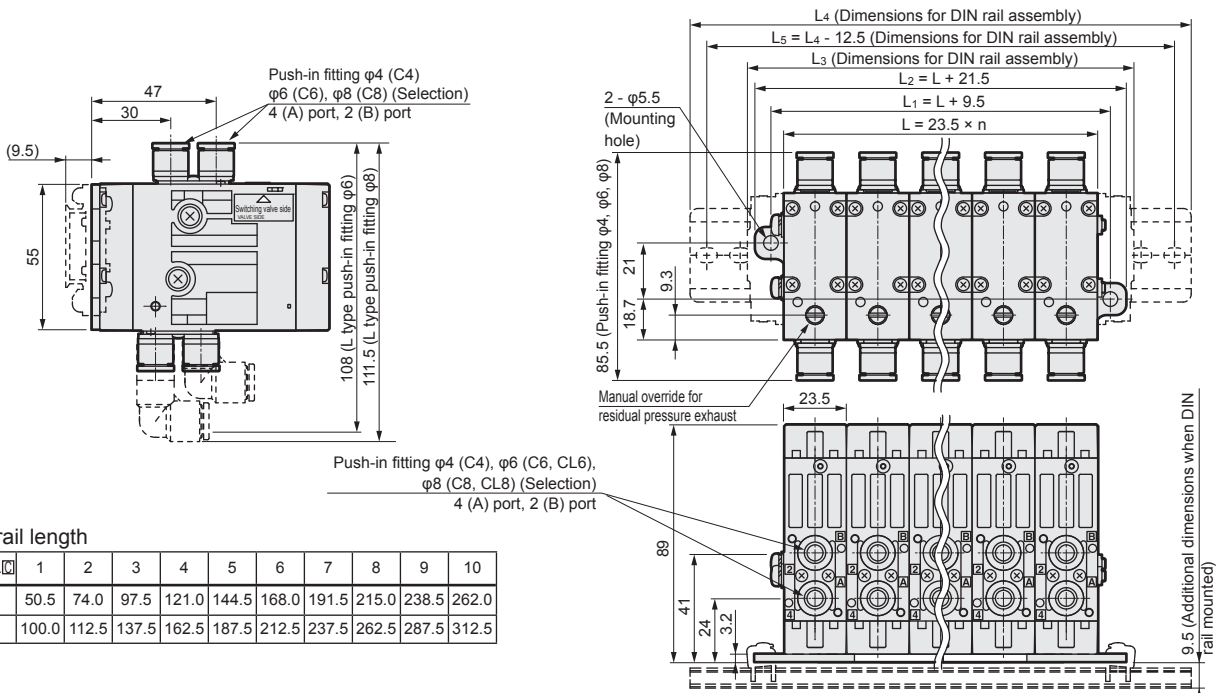
### ⚠ Note on model no. selection

Note 1: Contact CKD for information on mixing port sizes.

Note 2: The following applies when blank is selected as an option.

Manual override: Non-locking/locking common,  
Mounting method: Direct mounting.

## Dimensions



### DIN rail length

Station no. □	1	2	3	4	5	6	7	8	9	10
L3	50.5	74.0	97.5	121.0	144.5	168.0	191.5	215.0	238.5	262.0
L4	100.0	112.5	137.5	162.5	187.5	212.5	237.5	262.5	287.5	312.5

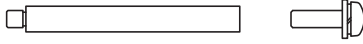
# M4GD1 to 3/M4GE1 to 3 Series

Related products

Related products

- Tie rod kit (for pilot check valve)  
(For manifold connection and expansion)

4G2R - PCS - TR - V 1



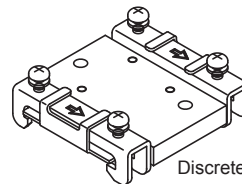
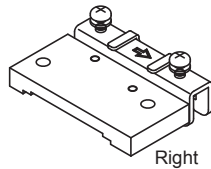
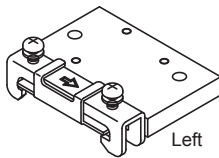
A Type  
Note 1

A Type	
V1	For 1 station
V2	For 2 station
V3	For 3 station
V4	For 4 station
V5	For 5 station

## ⚠ Note on model no. selection

Note 1: Select the V1 to V5 combination when using six or more stations.

- DIN rail adaptor kit (for pilot check valve)  
(The DIN rail adaptor kit is required for the following reassembly)



4G2R - PCS - D1

A Type

Detail of change Symbol	DIN rail adaptor kit selection list based on changes in specifications				Descriptions
	Change from mounting plate to DIN rail		Increase/decrease stations with DIN rail mount		
	1 station	More than 2 stations	More than 2 stations → 1 station	1 station → More than 2 stations	
D1 Right				● (Note 2)	DIN rail adaptor (right) 1, thread 2
D2 Right + left		●			DIN rail adaptor (right) 1, DIN rail adaptor (left) 1, thread 4
D3 Discrete	●		●		DIN rail adaptor (discrete) 1, thread 2

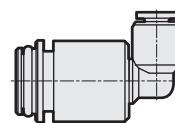
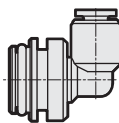
Note 2: When changing from one station to 2 or more stations, purchase the DIN rail adapter for right (D1), and remove the retainer on one side of the current DIN rail adapter kit (D3).

- Push in cartridge fitting  
φ4L/φ6L/φ8L/φ10L type (short elbow type)

4G1R-JOINT-CL4 / CL6  
4G2R-JOINT-CL6 / CL8  
4G3R-JOINT-CL8 / CL10

φ4L/φ6L/φ8L/φ10L type (long elbow type)

4G1R-JOINT-CLL4 / CLL6  
4G2R-JOINT-CLL6 / CLL8  
4G3R-JOINT-CLL8 / CLL10

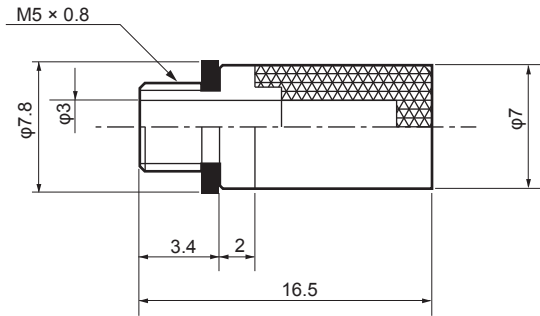




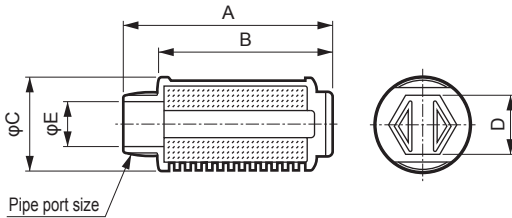
## Related products

### ● Silencer

#### ● SLM-M5



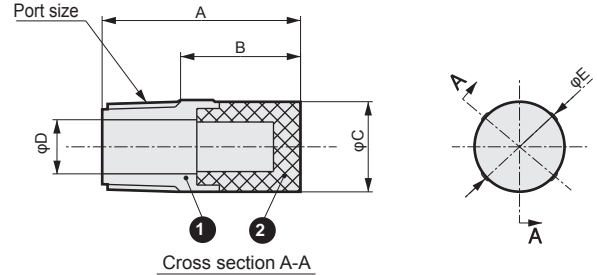
#### ● SLW-6A, 8A, 10A, 10L



Note 1: For mounting the silencer, check the dimensions in advance.  
 Note 2: Use SLW-8S for the M4GD2 DIN rail mount type. Interference occurs if SLW-8A is used.

Symbol	Large silencing effect dB (A)	Effective sectional area mm <sup>2</sup>	A	B	C	D	E	Port size
SLW-6A	30 or more	10	34.5	28	16.5	10	7	R1/8
SLW-8A	30 or more	20	44.5	36	20	13	8.5	R1/4
SLW-10A	30 or more	30	58.5	48.5	25.5	17	12	R3/8
SLW-10L	30 or more	60	68.2	58.4	28	19	12	R3/8

#### ● SLW-6S, 8S



Model no.	Port size	A	B	C	D	E
SLW - 6S	R1/8	22	13.3	10.5	6	10.5
SLW - 8S	R1/4	28	19	14.8	9	15.4

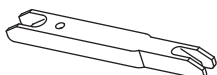
### ● Plug

Part name	Model no.	Bore diameter available	Apperance
Blanking plug	PG-P2-B	φ1.8	
	GWP4-B	φ4	
	GWP6-B	φ6	
	GWP8-B	φ8	
	GWP10-B	φ12	
Thread plug	4G1R-M5P	M5	
	4G2R-06P	Rc1/8	
	4G3R-08P	Rc1/4	
	4G3R-10P	Rc3/8	

Plug with hexagon head hole

### ● Push-in fitting tube remover

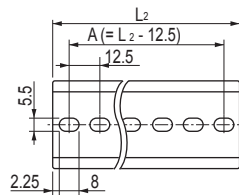
For φ1.8/φ4 push-in fitting  
4GR-EOT18-4



### ● DIN rail

#### N4GR - BAA (L2)

Rail length



Note 1: Rail lengths not included in the list are available consult factory order product.

L1: Manifold length	L2: Rail length	A: Mounting pitch
35	47.5 or less	87.5
47.5 or more	60 or less	100
60	72.5	112.5
72.5	85	125
85	97.5	137.5
97.5	110	150
110	122.5	162.5
122.5	135	175
135	147.5	187.5
147.5	160	200
160	172.5	212.5
172.5	185	225
185	197.5	237.5
197.5	210	250
210	222.5	262.5
222.5	235	275
235	247.5	287.5
247.5	260	300
260	272.5	312.5
272.5	285	325
285	297.5	337.5
297.5	310	350
310	322.5	362.5
322.5	335	375
335	347.5	387.5
347.5	360	400
360	372.5	412.5
372.5	385	425
385	397.5	437.5
397.5	410	450
410	422.5	462.5
422.5	435	475
435	447.5	487.5
447.5	460	500
460	472.5	512.5
472.5	485	525
485	497.5	537.5
497.5	510	550

When more than 510, round the value with multiple of 12.5.

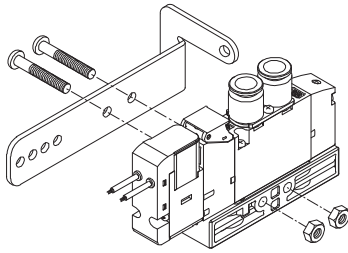
4GAB  
M4GAB/B  
MN4GAB/B  
4GAB Master valve  
4GD/E  
M4GD/E  
MN4GD/E  
Technical data  
Safety precautions  
Manifold Specifications

# M4GD1 to 3/M4GE1 to 3 Series

Related parts

Related parts

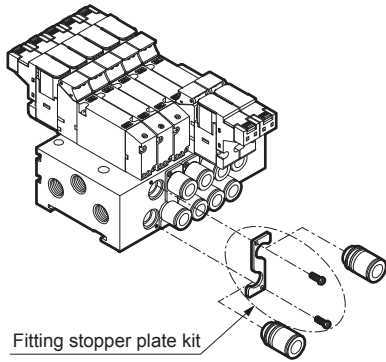
(1) Mounting plate (P) kit



Mounting (P) kit

Model	Kit model no.	Set parts
3GD1 & 4GD1	4G1R-MOUNT-PLATE-KIT	Mounting plate, set screw 2, nut 2 2
3GD2 & 4GD2	4G2R-MOUNT-PLATE-KIT	Mounting plate, set screw 2
3GD3 & 4GD3	4G3R-MOUNT-PLATE-KIT	Mounting plate, set screw 2

(2) Discrete cartridge type push-in fitting related part



Fitting stopper plate kit

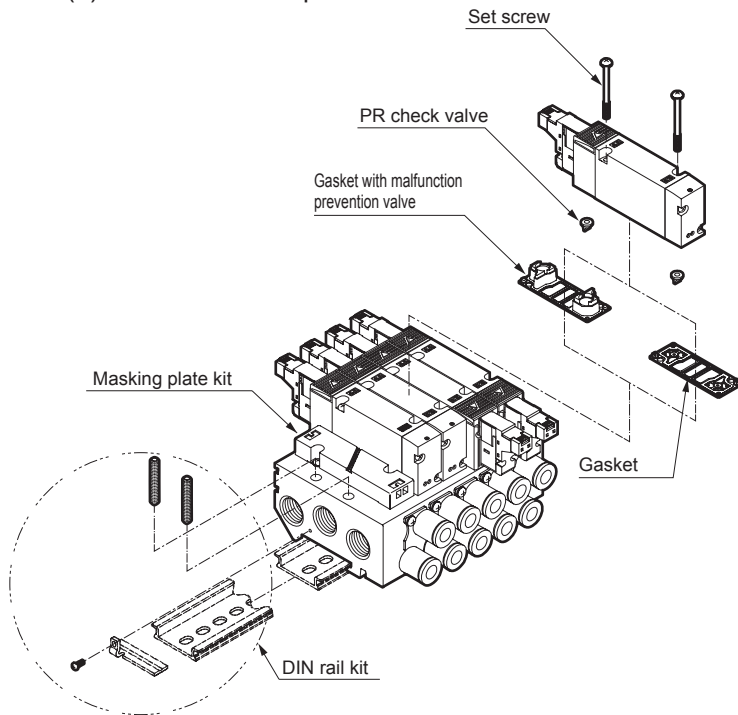
Model	Kit model no.
M4G1	4G1R-JNT-STP-PLATE-KIT
M4G2	4G2R-JNT-STP-PLATE-KIT
M4G3	4G3R-JNT-STP-PLATE-KIT

Fitting stopper plate kit

4GAB  
M4GAB  
MN4GAB  
4GAB Master valve  
4GD/E  
M4GD/E  
MN4GD/E  
Technical data  
Safety precautions  
Manifold Specifications

## Related parts

### (4) Manifold related parts



#### Masking plate kit

Model	Model no.	Descriptions	Remarks
M3G1/M4G1	4G1R-MP	Masking plate	* 3G3 & 4G3 have two PR check valves.
M3G2/M4G2	4G2R-MP	Gasket	
M3G3/M4G3	4G3R-MP	Set screw 2	

#### Gasket

Model	Part model no.
3G1 & 4G1	4G1R-GASKET
3G1 & 4G1 (For masking plate)	4G1R-MP-GASKET
3G2 & 4G2	4G2R-GASKET
3G2 & 4G2 (For masking plate)	4G2R-MP-GASKET
3G3 & 4G3	4G3R-GASKET

#### Gasket with malfunction prevention valve

Model	Part model no.
3G1 & 4G1	4G1R-CHECK-VALVE
3G2 & 4G2	4G2R-CHECK-VALVE
3G3 & 4G3	4G3R-CHECK-VALVE

#### PR check valve kit (2 per set)

Model	Kit model no.
3G1 & 4G1	4G1R-PR
3G2 & 4G2	4G2R-PR
3G3 & 4G3	4G3R-PR

#### Set screw (10 per set)

Model	Part model no.
3G1 & 4G1	4G1R-SET-SCREW
3G2 & 4G2	4G2R-SET-SCREW
3G3 & 4G3	4G3R-SET-SCREW

#### DIN rail kit

Model	Model no.	Descriptions
M4G1	4GA1R-BAA[Length]-[Option]D	DIN rail, set screw 2, Lock nut 2
	4GB1R-BAA[Length]-[Option]D	
M4G2	4GA2R-BAA[Length]-[Option]D	DIN rail/holder 2
	4GB2R-BAA[Length]-[Option]D	
M4G3	4GA3R-BAA[Length]-[Option]D	Tapping screw 2, Set screw 4
	4GB3R-BAA[Length]-[Option]D	

Specify the length "0" when the DIN rail is not required.

Specify the [Option] "K" when using with the manifold base for external pilot.

Set the DIN rail length, referring to the current manifold dimensions and DIN rail length quick reference list (page 479).

4GAB

M4GAB

MN4GAB

4GAB  
Master valve

4GD/E

M4GD/E

MN4GD/E

Technical data

Safety  
precautions

Manifold  
Specifications

# M4GD1 to 3/M4GE1 to 3 Series

Related parts

Related parts

(5) Sub-plate

How to order

● 4GD Piping adapter



A Model no.

A Model No.

Symbol	Descriptions	3GD1	3GD2	3GD3	4GD1	4GD2	4GD3
<b>B Port size (P/R1/R2 port)</b>							
M5	M5	●			●		
06	Rc1/8		●			●	
08	Rc1/4			●			●

<b>C Option</b>							
P	Mounting plate	●	●	●	●	●	●

<b>D Pilot exhaust method</b>							
Blank	Common exhaust type (Pilot exhaust check valve integrated)	●	●	●	●	●	●
C	Open type	○	○	○	○	○	○

is not available.  
○ Contact CKD for price and availability.

● 4GE Discrete sub-plate



A Model no.

A Model No.

Symbol	Descriptions	3GE1	3GE2	4GE1	4GE2	4GE3
<b>B Port size (A/B/P/R1/R2 port)</b>						
06	Rc1/8	●		●		
08	Rc1/4		●		●	●
10	Rc3/8					●

<b>C Option</b>						
P	A/B port filter integrated	Note 1	●	●	●	●

<b>D Pilot exhaust method</b>						
Blank	Common exhaust type (Pilot exhaust check valve integrated)	●	●	●	●	●
C	Open type	○	○	○	○	○

Note 1 The P port has a filter built inside as a standard.

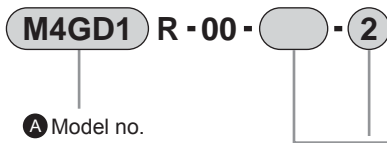
is not available.  
○ Contact CKD for price and availability.

4GAB  
M4GAB  
MN4GAB  
4GAB Master valve  
4GD/E  
M4GD/E  
MN4GD/E  
Technical data  
Safety precautions  
Manifold Specifications

## Related parts

### (6) Manifold sub-plate kit individual wiring type

● M4GD Sub plate



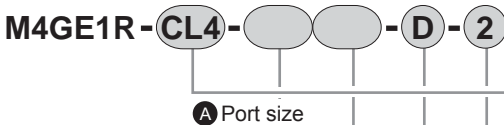
Symbol	Descriptions
<b>A Model no.</b>	
<b>M4GD1</b>	Metal base 4G1 size base piping
<b>M4GD2</b>	Metal base 4G2 size base piping
<b>M4GD3</b>	Metal base 4G3 size base piping

<b>C Pilot exhaust method</b>	
<b>Blank</b>	Common exhaust type (Pilot exhaust check valve integrated)
<b>C</b>	Open type Note 1

<b>D Station no.</b>	
<b>2</b>	2 stations
<b>to</b>	to
<b>20</b>	Refer to the specifications page for the max. station no.

Note 1: This is a available consult factory order.

● M4GE1 Sub-plate



Symbol	Descriptions	
<b>A Port size</b>		
<b>Port</b>	<b>4 (A) /2 (B) port</b>	<b>P/R1/R2 port</b>
<b>C4</b>	φ4 push-in fitting	Rc1/8
<b>C6</b>	φ6 push-in fitting	
<b>C8</b>	φ8 push-in fitting	
<b>CL4</b>	L type φ4 push-in fitting (upward)	
<b>CL6</b>	L type φ6 push-in fitting (upward)	
<b>CD4</b>	L type φ4 push-in fitting (downward)	
<b>CD6</b>	L type φ6 push-in fitting (downward)	
<b>M5</b>	M5	

<b>B Option</b>	
<b>Blank</b>	
<b>F</b>	A/B port filter integrated Note 1

<b>C Pilot exhaust method</b>	
<b>Blank</b>	Common exhaust type (Pilot exhaust check valve integrated)
<b>C</b>	Open type Note 2

<b>D Mount type</b>	
<b>Blank</b>	Direct mount type
<b>D</b>	DIN rail mount type Note 3

<b>E Station no.</b>	
<b>2</b>	2 stations
<b>to</b>	to
<b>20</b>	Refer to the specifications page for the max. station no.

Note 1: The P port has a filter built inside as a standard.  
 Note 2: This is a available consult factory order.  
 Note 3: The DIN rail kit needs to be prepared separately.

4G/A/B

M4G/A/B

MN4G/A/B

4G/A/B  
Master valve

4G/D/E

M4G/D/E

MN4G/D/E

Technical data

Safety  
precautions

Manifold  
Specifications

# M4GD1 to 3/M4GE1 to 3 Series

Related parts

Related parts

## (6) Manifold sub-plate kit individual wiring type

● M4GE2/3 Sub-plate

**M4GE2** R - **CL4** - **2**

**A** Model no.

**B** Port size

**C** Option

**D** Pilot exhaust method

**E** Station no.

Symbol	Descriptions	<b>A</b> Model no.	
<b>B</b> Port size			
<b>Port</b>	<b>4 (A) / 2 (B) port</b>	<b>P/R1/R2 port</b> (1) = Rc1/4 (2) = Rc3/8	
<b>C4</b>	φ4 push-in fitting	(1)	
<b>C6</b>	φ6 push-in fitting	(1)	(2)
<b>C8</b>	φ8 push-in fitting	(1)	(2)
<b>C10</b>	φ10 push-in fitting		(2)
<b>CL6</b>	L type φ6 push-in fitting (upward)	(1)	
<b>CL8</b>	L type φ8 push-in fitting (upward)	(1)	(2)
<b>CL10</b>	L type φ10 push-in fitting (upward)		(2)
<b>CD6</b>	L type φ6 push-in fitting (downward)	(1)	
<b>CD8</b>	L type φ8 push-in fitting (downward)	(1)	(2)
<b>CD10</b>	L type φ10 push-in fitting (downward)		(2)
<b>06</b>	Rc1/8	(1)	
<b>08</b>	Rc1/4		(3)
<b>C</b> Option			
<b>Blank</b>			
<b>F</b>	A/B port filter integrated	Note 1	
<b>D</b> Pilot exhaust method			
<b>Blank</b>	Common exhaust type (Pilot exhaust check valve integrated)		
<b>C</b>	Open type	Note 2	
<b>E</b> Station no.			
<b>2</b>	2 stations		
<b>to</b>	to		
<b>20</b>	Refer to the specifications page for the max. station no.		

Note 1: The P port has a filter built inside as a standard.

Note 2: This is a available consult factory order.

## Related parts

### (7) Manifold sub-plate kit reduced wiring type

● M4GD Sub-plate

**M4GD1** R - 00 - - 2

**A** Model no.

**B** Reduced wiring

**C** Mount type

**D** Station no.

Symbol	Descriptions	
<b>A Model No.</b>		
M4GD1	Metal base 4G1 size	Body piping
M4GD2	Metal base 4G2 size	Body piping
M4GD3	Metal base 4G3 size	Body piping
<b>B Reduced wiring connection</b>		
T10	Common terminal block (M3 thread)	Left side specifications
T10R		Right side specifications
T11	Common terminal block (push tightening)	Left side specifications
T11R		Right side specifications
T30	D sub-connector	Left side specifications
T30R		Right side specifications
T50	20 pin flat cable connector (with power supply terminal)	Left side specifications
T50R		Right side specifications
T51	20 pin flat cable connector (without power supply terminal)	Left side specifications
T51R		Right side specifications
T52	10 pin flat cable connector (without power supply terminal)	Left side specifications
T52R		Right side specifications
T53	26 pin flat cable connector (without power supply terminal)	Left side specifications
T53R		Right side specifications
T56	20 pin flat cable connector (without power supply terminal) For serial transmission slave unit OPP3 connection	Left side specifications
T8	For serial transmission slave unit OPP7 connection	Left side specifications
<b>C Mount type Note 1</b>		
Blank	Direct mount type	
D	DIN rail mount type	
<b>D Station no.</b>		
2	2 stations	
to	to	
20	Refer to the specifications page for the max. station no.	

Note 1: In the case of T8, please select the mount type.  
Items other than the T8 have no symbol.

4GAB

M4GAB

MN4GAB

4GAB  
Master valve

4GD/E

M4GD/E

MN4GD/E

Technical data

Safety  
precautions

Manifold  
Specifications

# M4GD1 to 3/M4GE1 to 3 Series

Related parts

Related parts

(7) Manifold sub-plate kit reduced wiring type

● M4GD Sub-plate

**M4GE1** R - **CL4** - **T10** - **2**

**A** Model no.

**B** Port size

**C** Reduced wiring

**D** Option

**E** Mount type

**F** Station no.

A Model no.		
M4GE1	M4GE2	M4GE3
<b>P/R1/R2 port</b> (1) = Rc1/8 (2) = Rc1/4 (3) = Rc3/8		
(1)	(2)	
(1)	(2)	(3)
	(2)	(3)
		(3)
(1)		
(1)	(2)	
	(2)	(3)
		(3)
(1)		
(1)	(2)	
	(2)	(3)
		(3)
(1)		
	(2)	
		(3)

Symbol	Descriptions
<b>B Port size</b>	
Port	4 (A) / 2 (B) port
<b>C4</b>	φ4 push-in fitting
<b>C6</b>	φ6 push-in fitting
<b>C8</b>	φ8 push-in fitting
<b>C10</b>	φ10 push-in fitting
<b>CL4</b>	L type φ4 push-in fitting (upward)
<b>CL6</b>	L type φ6 push-in fitting (upward)
<b>CL8</b>	L type φ8 push-in fitting (upward)
<b>CL10</b>	L type φ10 push-in fitting (upward)
<b>CD4</b>	L type φ4 push-in fitting (downward)
<b>CD6</b>	L type φ6 push-in fitting (downward)
<b>CD8</b>	L type φ8 push-in fitting (downward)
<b>CD10</b>	L type φ10 push-in fitting (downward)
<b>M5</b>	M5
<b>06</b>	Rc1/8
<b>08</b>	Rc1/4

C Reduced wiring connection	
<b>T10</b>	Common terminal block (M3 thread)
<b>T10R</b>	
<b>T11</b>	Common terminal block (push tightening)
<b>T11R</b>	
<b>T30</b>	D sub-connector
<b>T30R</b>	
<b>T50</b>	20 pin flat cable connector (with power supply terminal)
<b>T50R</b>	
<b>T51</b>	20 pin flat cable connector (without power supply terminal)
<b>T51R</b>	
<b>T52</b>	10 pin flat cable connector (without power supply terminal)
<b>T52R</b>	
<b>T53</b>	26 pin flat cable connector (without power supply terminal)
<b>T53R</b>	
<b>T56</b>	20 pin flat cable connector (without power supply terminal) For serial transmission slave unit OPP3 connection
<b>T8</b>	For serial transmission slave unit OPP7 connection

D Option	
<b>Blank</b>	
<b>F</b>	A/B port filter integrated Note 1

E Mount type Note 2	
<b>Blank</b>	Direct mount type
<b>D</b>	DIN rail mount type

F Station no.	
<b>2</b>	2 stations
<b>to</b>	to
<b>20</b>	Refer to the specifications page for the max. station no.

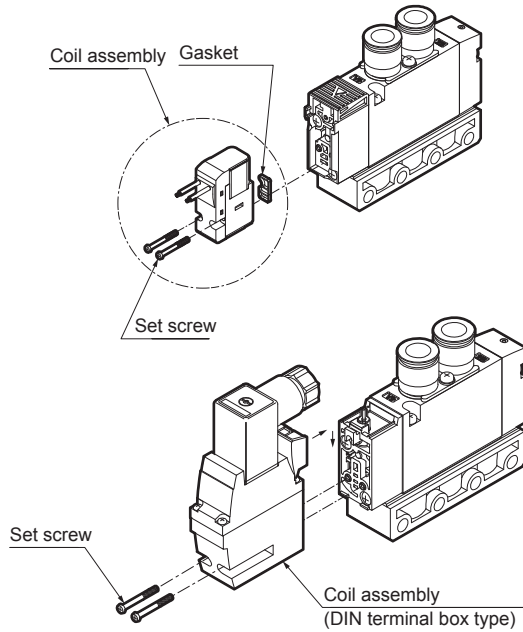
Note 1: The P port has a filter built inside as a standard.

Note 2: In the case of T8, please select the mount type. Items other than the T8 have no symbol.



## Related parts

### (8) Coil assembly



#### Coil assembly

No.	Parts name	Model no.
1	Coil assembly	4GR- <span style="border: 1px solid black; padding: 0 2px;">Electric wire Connection</span> -* <span style="border: 1px solid black; padding: 0 2px;">-</span> COIL- <span style="border: 1px solid black; padding: 0 2px;">Voltage</span>

Blank: Standard  
A: Ozone specifications

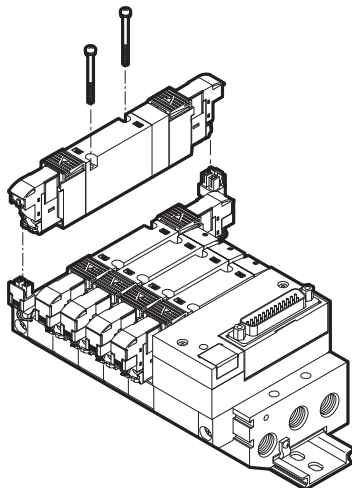
E\* : E type connector type  
E\*J : Socket with cover type  
B\* : DIN terminal box type  
Blank : Grommet lead wire

B includes the DIN terminal box BN does not include DIN terminal box.

#### Coil parts

Part model no.
4GR-COIL-GASKET
4GR-COIL-SET-SCREW

### (9) Lead wire related parts



#### socket assembly

No.	Parts name	Model no.
2	E type connector socket assembly	4GR-SOCKET-ASSY-E** - <span style="border: 1px solid black; padding: 0 2px;">Voltage</span>
3	Socket assembly with cover	4GR-SOCKET-ASSY-E**J
4	DIN terminal box assembly	4GR-TERMINAL-BOX - <span style="border: 1px solid black; padding: 0 2px;">Voltage</span>

#### Socket set

Part model no.
4GR-SOCKET-SET

#### A type connector socket assembly

Part model no.
4G[*1]R-SOCKET-ASSY-A[*2][*3]-[*4]

\*1 Series flow rate size  
\*2 Blank: Left side, R: Right side  
\*3 A: aSOL side, B: bSOL side  
\*4 Row no.

4GAB

M4GAB

MN4GAB

4GAB  
Master valve

4GD/E

M4GD/E

MN4GD/E

Technical data

Safety  
precautions

Manifold  
Specifications

# M4GD1 to 3/M4GE1 to 3 Series

Manifold specifications

## How to prepare metal base M4G series manifold specifications sheet

● Manifold model no. (example)

**M** **4** **G<sup>D</sup><sub>E</sub>1** **8** **0R-** **CX** - **T30** - **9** - **3**

Type of solenoid valve      Valve Position      Port size      Electrical connections      Terminal connector pin array      Station no.      Voltage

### Cautions for fitting mix CX

The A/B port fitting can be selected freely by indicating "CX" in the port size column.

#### Available cartridge fitting

4G1	C4, C6 × (plug)
4G2	C4, C6, C8 × (plug)
4G3	C6, C8, C10, × (plug)

\* A/B port fitting mix with the body piping type is not supported.

### Using the base piping type M4GE\*10 as a 3 port valve

This can be used as the N.O./N.C. type by attaching a plug cartridge on one side of the A/B port. Indicate "X" in the fitting CX column.

Switching method	Plug mounting port
N.C. (normally closed)	B
N.O. (normally open)	A

When selecting female thread specifications, indicate the required number of plugs in the "Thread Plug" field at the end. Female threads and a cartridge fitting cannot be used together in one manifold set.

### Elbow type specifications

- The L type push-in fitting (upward) is available only for the single solenoid manifold. The port A is a long elbow and the port B is a short elbow.
- A/B port sizes do not differ for elbow type specifications.

Solenoid valve model no.	Fitting CX		Installation position																								Quantity	
	A	B	1	2	3	4	5	6	7	8	9	10	11	12	13	14	15	16	17	18	19	20	21	22	23	24		
4G E:1:1:9R-CX	C6	X	○	○																								2
4G E:1:1:9R-C6					○	○																						2
4G E:1:2:9R-C6							○	○																				2
4G E:1:5:9R-CX	C6	C4							○	○																		2
4G 1:1:9R-																												
3G D:1:9R-																												
Masking plate 4G1R-MP (S)																												
Masking plate 4G1R-MP (D)														○														1
Installation Rail	L <sub>2</sub> =	Attached Part	Blanking plug						Thread plug						Silencer													
			GWP4-B		GWP6-B				4G1R-M5P		SLW - 6S		SLW - 6A															
			Cable with D-sub connector		4GR-CABLE-D0*.*				Push-in fitting tube remover (standard)		<input type="checkbox"/> Not required (check)																	

\* A reference circuit diagram for the above manifold (example) is shown on the next page.

Check if the tube remover (standard attached product) is not required.

There are manifold specifications for each model. Fill out the applicable specifications.

- Individual wiring...M4G<sub>E</sub>1 (page 490), M4G<sub>E</sub>2 (page 491), M4G<sub>E</sub>3 (page 492)
- Reduced wiring
  - Common terminal block (T1\*), D sub-connector (T30): M4G<sub>E</sub>1 (page 493), M4G<sub>E</sub>2 (page 494), M4G<sub>E</sub>3 (page 495)
  - Flat cable connector (T5\*): M4G<sub>E</sub>1 (page 496), M4G<sub>E</sub>2 (page 497), M4G<sub>E</sub>3 (page 498)
  - Serial transmission (T6\*): M4G<sub>E</sub>1 (page 499), M4G<sub>E</sub>2 (page 500), M4G<sub>E</sub>3 (page 501)

Note 1: For mounting the silencer, check the dimensions in advance.

Note 2: Use SLW-8S for the M4GA2 DIN rail mount type. Interference occurs if SLW-8A is used.

4GAB  
M4GAB  
MN4GAB  
4GAB Master valve  
4GD/E  
M4GD/E  
MN4GD/E  
Technical data  
Safety precautions  
Manifold Specifications

## How to fill out wiring specifications form

This is not required for standard wiring and double wiring.

### ● Wiring specifications (example)

Complete these specifications when specifying the wiring order and additional cables.

Connector pin no.		Installation position																
T30/T30R	T50/T50R/T6*	1	2	3	4	5	6	7	8	9	10	11	12	13	14	15	16	17
1	1	a																
14	2	a																
2	3		a															
15	4			a														
3	5				a													
16	6					a												
4	7						a											
17	8							b										
5	9								a									
18	10									b								
6	11								a									
19	12									b								
7	13										a							
20	14											b						
8	15												(a)					
21	16												(b)					
9	17																	
22	18																	
10	19																	
23	20																	
11																		
24																		
12																		
25																		
13	(COM)																	

\*: When T50 type wiring is used, the COM polarity is + (plus).  
 \*: When T50 wiring is used, connector pin no. 9, 10, 19, and 20 cannot be specified because they are used for the external input power supply.  
 \*: Wiring is sequential from connector pin no. 1 in standard wiring. Contact CKD for the special wiring order.

### Cautions for reserved wiring

(1) Reserved wire(s) is/are provided on the masking plate for the reduced wiring manifold. (refer to page 612)

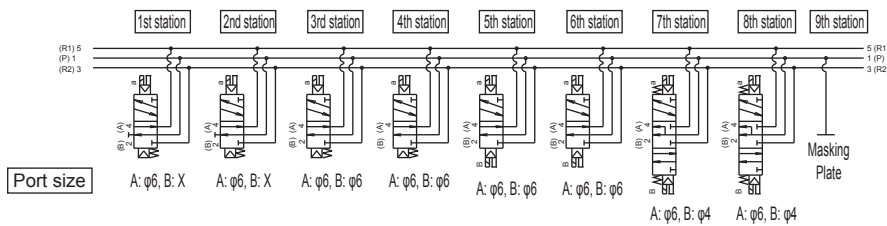
The number of reserved wires can be specified by selecting the masking plate in specifications.

4G \*R - MP (S)...1

4G \*R - MP (D)...2

Indicate (a) or (b) in manifold specifications for masking plate reserved wires.

Reference circuit diagram The simplified circuit diagram of the manifold model no. (example) on the previous page is shown below.



\* Manifold stations are set in order from the left with the piping port facing forward.

4GAB

M4GAB

MN4GAB

4GAB  
Master valve

4GD/E

M4GD/E

MN4GD/E

Technical data

Safety  
precautions

Manifold  
Specifications



# M4G2 Individual wiring

## M4G<sub>E</sub><sup>D</sup>2 manifold specifications

Date of issue / /

Your company name

● Contact                                      ● Quantity                                      set(s)                                      ● Delivery date month day

Slip No.	Order No.
----------	-----------

Contact

Order no.

● Manifold model no.

**M**   **G<sub>E</sub><sup>D</sup>2**   **0R-**   -       -   -  

Type of solenoid valve      Valve Position      Port size      Electrical connections      Other options      Mount type      Pilot exhaust method      Station no.      Voltage

Solenoid valve model no.	Fitting CX		Valve installation position																								Quantity		
	A	B	1	2	3	4	5	6	7	8	9	10	11	12	13	14	15	16	17	18	19	20	21	22	23	24			
4G	2	9R																											
4G	2	9R																											
4G	2	9R																											
4G	2	9R																											
4G	2	9R																											
3G	2	9R																											
3G	2	9R																											
Masking plate <b>4G2R-MP-</b>																													
Air supply spacer <b>4G2R-P-</b>																													
In stop valve spacer <b>4G2R-IS</b>																													
Exhaust spacer <b>4G2R-R-</b>																													
Installation Rail	L <sub>2</sub> = <span style="border: 1px dashed black; padding: 2px;"> </span>	Attached Part	Blanking plug						Thread plug						Silencer														
	* Fill in the integral multiple of 12.5.		<b>GWP4-B</b>		<b>GWP6-B</b>		<b>GWP8-B</b>		<b>4G2R-06P</b>		<b>SLW - 8S</b>		<b>SLW - 8A</b>																

4GAB  
 M4GAB  
 MN4GAB  
 4GAB Master valve  
 4GD/E  
 M4GD/E  
 MN4GD/E  
 Technical data  
 Safety precautions  
 Manifold Specifications

















# M4G1 Serial transmission type

## M4G<sup>D</sup><sub>E</sub> 1-T6D Manifold specifications

Date of issue / /  
 Your company name  
 Contact  
 Order no.

● Contact                      ● Quantity                      set(s)                      ● Delivery date month day

Slip No.                      Order No.

● Manifold model no.

**M**  **G** <sup>D</sup><sub>E</sub> **1**  **OR-**  -   **D**  -  - **3**

Type of solenoid valve                      Valve Position                      Port size                      Serial transmission connector pin array                      Option                      Pilot exhaust method                      Station no.                      Voltage

Solenoid valve model no.	Fitting CX		Valve installation position																Quantity
	A	B	1	2	3	4	5	6	7	8	9	10	11	12	13	14	15	16	
4G: 1 9R-																			
4G: 1 9R-																			
4G: 1 9R-																			
4G: 1 9R-																			
4G: 1 9R-																			
3G: 1 9R-																			
3G: 1 9R-																			
Masking plate 4G1R-MP (S) -																			
Masking plate 4G1R-MP (D) -																			
Air supply spacer 4G1R-P-																			
In stop valve spacer 4G1R-IS																			
Exhaust spacer 4G1R-R-																			
Installation Rail	L2 = <input type="text"/>	Attached Part	Blanking plug				Thread plug				Silencer								
			GWP4-B		GWP6-B		4G1R-M5P		SLW - 6S		SLW - 6A								
			Push-in fitting tube remover (standard) <input type="checkbox"/> Not required (check)																

● Wiring specifications (This is not required for standard wiring and double wiring.  
 Complete these specifications when designating the wiring sequence and extra cables)

Connector pin no.	T6*	Installation position																
		1	2	3	4	5	6	7	8	9	10	11	12	13	14	15	16	
	1																	
	2																	
	3																	
T6A0: UNIWIRES SYSTEM 8 points	4																	
T6A1: UNIWIRES SYSTEM 16 points	5																	
T6C0: OMRON CompoBus/S 8 points	6																	
T6C1: OMRON CompoBus/S 16 points	7																	
	8																	
	9																	
T6G1: CC-Link 16 points	10	COM																
T6E0: SUNX S-Link 8 points	11																	
T6E1: SUNX S-Link 16 points	12																	
	13																	
T6J0: UNIWIRES H SYSTEM 8 points	14																	
T6J1: UNIWIRES H SYSTEM 16 points	15																	
	16																	
	17																	
	18																	
	19																	
	20	COM																

4GAB  
M4GAB  
MN4GAB  
4GAB Master valve  
4GD/E  
M4GD/E  
MN4GD/E  
Technical data  
Safety precautions  
Manifold specifications

# M4G2 Serial transmission type

## M4G<sup>D</sup>E2-T6D Manifold specifications

Date of issue / /

Your company name \_\_\_\_\_

● Contact                                      ● Quantity                                      set(s)                                      ● Delivery date month day

Contact \_\_\_\_\_

Order no. \_\_\_\_\_

Slip No. \_\_\_\_\_ Order No. \_\_\_\_\_

● Manifold model no.

**M**  **G<sup>D</sup>E2**  **OR-**  -   **D**  -  - **3**

Type of solenoid valve                      Valve Position                      Port size                      Serial transmission connector pin array                      Option                      Pilot exhaust method                      Station no.                      Voltage

Solenoid valve model no.		Fitting CX	Valve installation position												Quantity			
4G	2	9R-																
4G	2	9R-																
4G	2	9R-																
4G	2	9R-																
4G	2	9R-																
3G	2	9R-																
3G	2	9R-																
Masking plate <b>4G2R-MP (S)</b>																		
Masking plate <b>4G2R-MP (D)</b>																		
Air supply spacer <b>4G2R-P-</b>																		
In stop valve spacer <b>4G2R-IS</b>																		
Exhaust spacer <b>4G2R-R-</b>																		
Installation Rail	L <sub>2</sub> = <input type="text"/> * Fill in the integral multiple of 12.5.	Attached Part	Blanking plug			Thread plug		Silencer										
			GWP4-B	GWP6-B	GWP8-B	4G2-06P	SLW - 8S	SLW - 8A										

● Wiring specifications (This is not required for standard wiring and double wiring.  
Complete these specifications when designating the wiring sequence and extra cables)

Connector pin No.		Installation position															
T6*		1	2	3	4	5	6	7	8	9	10	11	12	13	14	15	16
	1																
	2																
	3																
T6A0: UNIWIRE SYSTEM 8 points	4																
T6A1: UNIWIRE SYSTEM 16 points	5																
T6C0: OMRON CompoBus/S 8 points	6																
T6C1: OMRON CompoBus/S 16 points	8																
T6G1: CC-Link 16 points	10	COM															
T6E0: SUNX S-Link 8 points	11																
T6E1: SUNX S-Link 16 points	12																
T6J0: UNIWIRE H SYSTEM 8 points	14																
T6J1: UNIWIRE H SYSTEM 16 points	15																
	16																
	17																
	18																
	19																
	20	COM															

4GAB  
M4GAB  
MN4GAB  
4GAB Master valve  
4GD/E  
M4GD/E  
MN4GD/E  
Technical data  
Safety precautions  
Manifold specifications

# M4G3 Serial transmission type

## M4G<sup>D</sup><sub>E</sub>3-T6D Manifold specifications

Date of issue / /

Your company name

● Contact                                      ● Quantity                                      set(s)                                      ● Delivery date month day

Slip No.  Order No.

Contact

Order no.

● Manifold model no.

**M**  **G** <sup>D</sup><sub>E</sub> **3**  **OR-**  -    **D**  -  -  **3**

Type of solenoid valve                      Valve Position                      Port size                      Serial transmission                      Terminal and connector pin array                      Option                      Pilot exhaust method                      Station no.                      Voltage

Solenoid valve model no.	Fitting CX		Valve installation position																Quantity	
	A	B	1	2	3	4	5	6	7	8	9	10	11	12	13	14	15	16		
4G: 3 9R-																				
4G: 3 9R-																				
4G: 3 9R-																				
4G: 3 9R-																				
4G: 3 9R-																				
3GD3 9R-																				
3GD3 9R-																				
Masking plate 4G3R-MP (S) -																				
Masking plate 4G3R-MP (D) -																				
Air supply spacer 4G3R-P-																				
In stop valve spacer 4G3R-IS																				
Exhaust spacer 4G3R-R-																				
Installation Rail	L2=	Attached Part	Blanking plug			Thread plug			Silencer											
			GWP6-B	GWP8-B	GWP10-B	4G3R-08P	SLW - 10A	SLW-10L												

● Wiring specifications (This is not required for standard wiring and double wiring.  
Complete these specifications when designating the wiring sequence and extra cables)

Connector pin No.	Installation position																			
	T6*	1	2	3	4	5	6	7	8	9	10	11	12	13	14	15	16			
	1																			
	2																			
	3																			
	4																			
T6A0: UNIWIRESYSTEM 8 points	5																			
T6A1: UNIWIRESYSTEM 16 points	6																			
T6C0: OMRON CompoBus/S 8 points	7																			
T6C1: OMRON CompoBus/S 16 points	8																			
T6G1: CC-Link 16 points	9																			
T6E0: SUNX S-Link 8 points	10	COM																		
T6E1: SUNX S-Link 16 points	11																			
	12																			
T6J0: UNIWIRESYSTEM H SYSTEM 8 points	13																			
	14																			
T6J1: UNIWIRESYSTEM H SYSTEM 16 points	15																			
	16																			
	17																			
	18																			
	19																			
	20	COM																		

4GAB  
M4GAB  
MN4GAB  
4GAB  
Master valve  
4GD/E  
M4GD/E  
MN4GD/E  
Technical data  
Safety  
precautions  
Manifold  
Specifications





# M4G2 Serial transmission type Thin type

## M4G<sup>D</sup><sub>E</sub>2-T8 manifold specification sheet

Date of issue / /

Your company name

● Contact                      ● Quantity                      set(s)                      ● Delivery date month day

Slip No.  Order No.

Contact

Order no.

● Manifold model no.

**M**  **G** <sup>D</sup><sub>E</sub> **2**  **OR-**  -  -  -  -  -  -  -  - **3**

Type of solenoid valve                      Valve Position                      Port size                      Serial transmission                      Terminal and connector pin array                      Option                      Mount type                      Pilot exhaust method                      Station no.                      Voltage

Solenoid valve model no.	Fitting CX		Valve installation position																		Quantity		
	A	B	1	2	3	4	5	6	7	8	9	10	11	12	13	14	15	16	17	18		19	20
4G	2	9R																					
4G	2	9R																					
4G	2	9R																					
4G	2	9R																					
4G	2	9R																					
3G	2	9R																					
3G	2	9R																					
Masking plate <b>4G2R-MP (S)</b> -																							
Masking plate <b>4G2R-MP (D)</b> -																							
Air supply spacer <b>4G2R-P-</b>																							
In stop valve spacer <b>4G2R-IS</b>																							
Exhaust spacer <b>4G2R-R-</b>																							
Installation Rail	Lz = <input type="text"/>	Attached Part	Blanking plug						Thread plug			Silencer											
			<b>GWP4-B</b>		<b>GWP6-B</b>				<b>4G2R-06P</b>			<b>SLW - 8S</b>		<b>SLW - 8A</b>									
			<b>GWP8-B</b>																				

● Wiring specifications (This is not required for standard wiring and double wiring.)  
Complete these specifications when designating the wiring sequence and extra cables)

Connector pin No. T8*				Installation position																			
				1	2	3	4	5	6	7	8	9	10	11	12	13	14	15	16	17	18	19	20
T8G1	CC-Link	NPN	16 points	1																			
T8G2			32 points	2																			
T8GP1		PNP	16 points	3																			
T8GP2			32 points	4																			
T8P1	PROFIBUS-DP	NPN	16 points	5																			
T8P2			32 points	6																			
T8PP1		PNP	16 points	7																			
T8PP2			32 points	8																			
T8EC1	EtherCAT	NPN	16 points	9																			
T8EC2			32 points	10																			
T8ECP1		PNP	16 points	11																			
T8ECP2			32 points	12																			
T8EN1	EtherNet/IP	NPN	16 points	13																			
T8EN2			32 points	14																			
T8ENP1		PNP	16 points	15																			
T8ENP2			32 points	16																			
				17																			
				18																			
				19																			
				20																			
				21																			
				22																			
				23																			
				24																			
				25																			
				26																			
				27																			
				28																			
				29																			
				30																			
				31																			
				32																			

4GAB  
M4GAB  
MN4GAB  
4GAB Master valve  
4GD/E  
M4GD/E  
MN4GD/E  
Technical data  
Safety precautions  
Manifold Specifications

