

Gripper

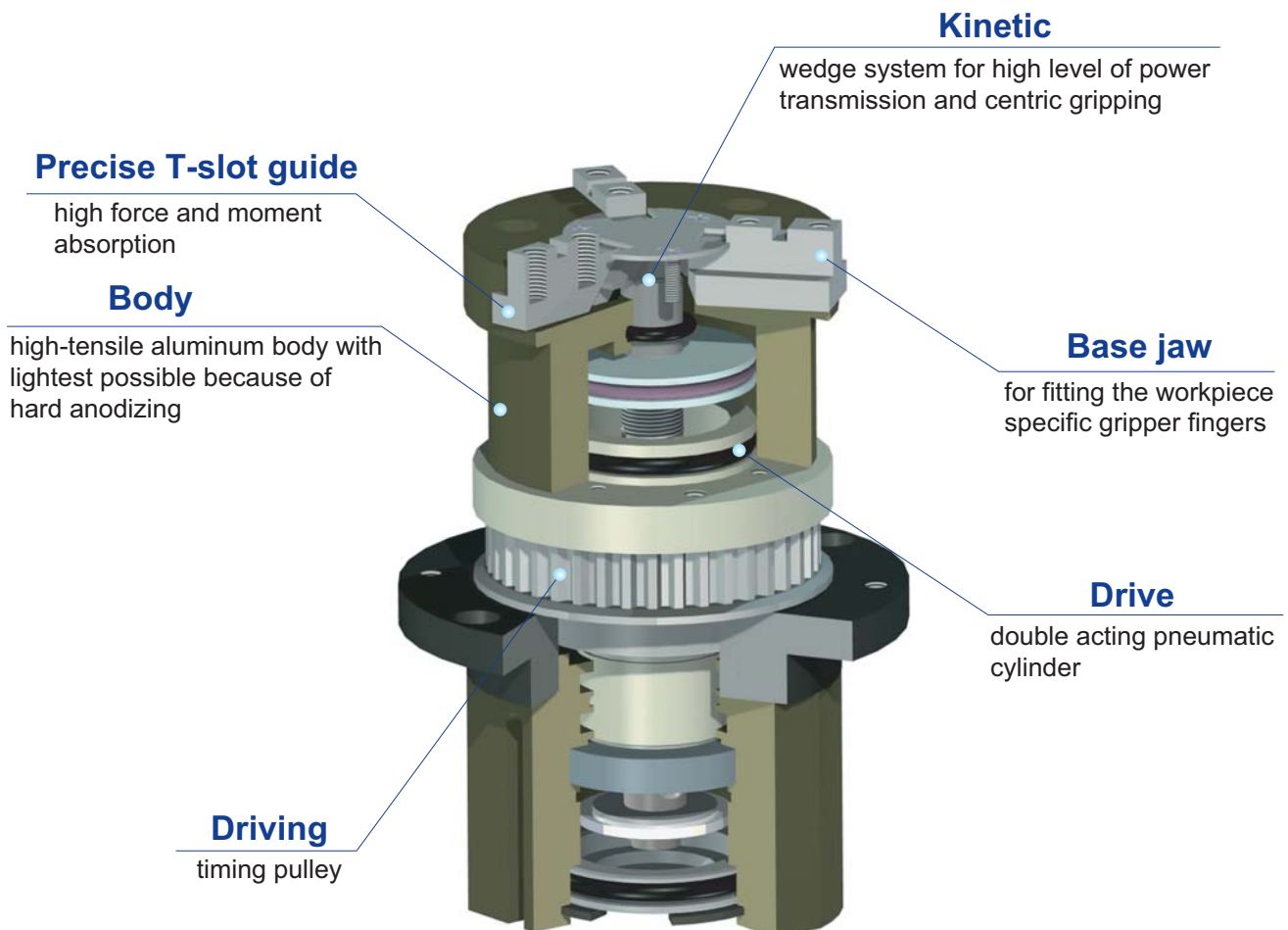
RAF56N-32,40,50,63

Character

- Compact structure by wedge guide driving unit
- Rotational gripper of AF56N without twist of air supply tube
- Admissible RPM is 100
- Magnetic sensor is available for open-close sensing

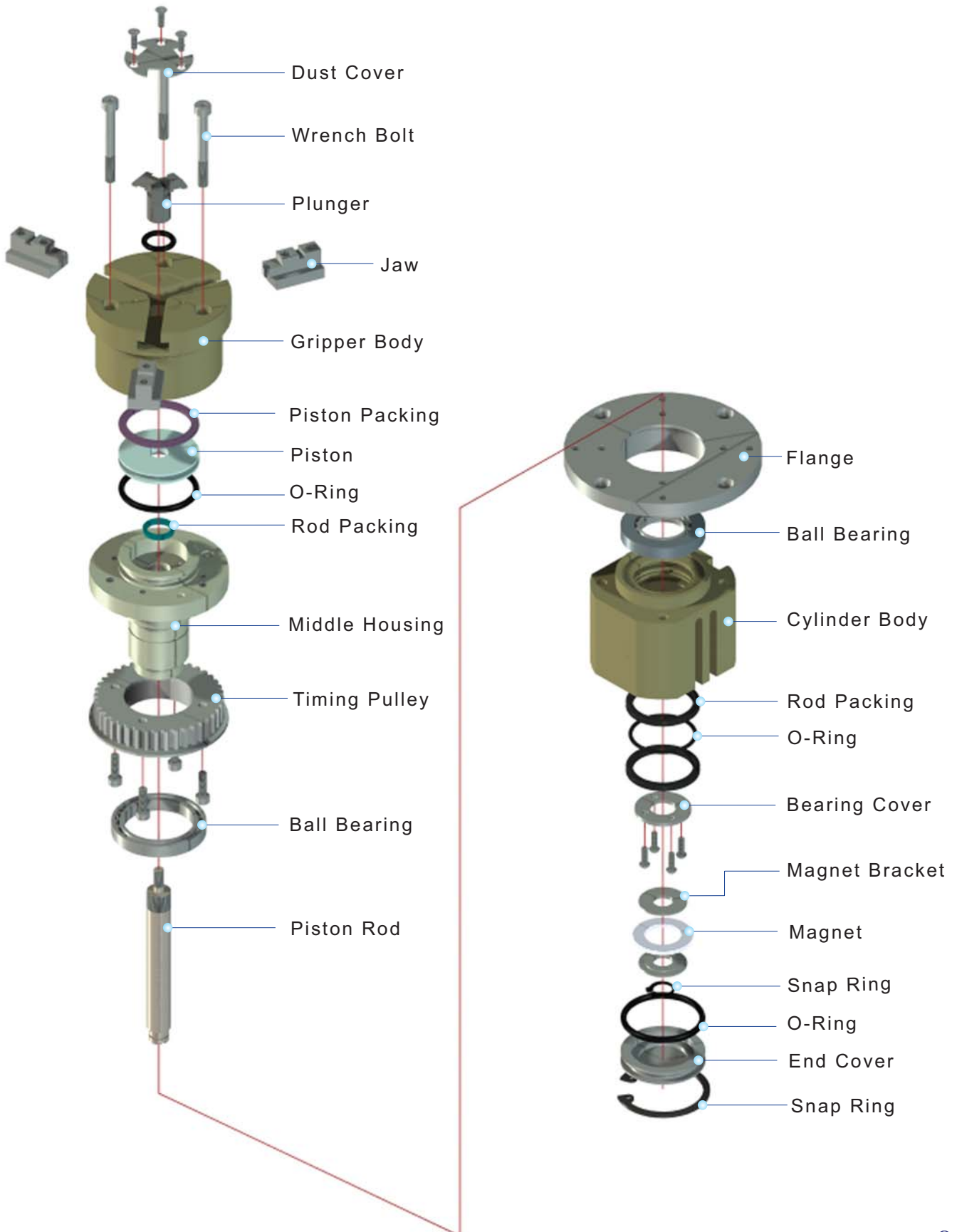


Wedge type 3 jaw rotation gripper



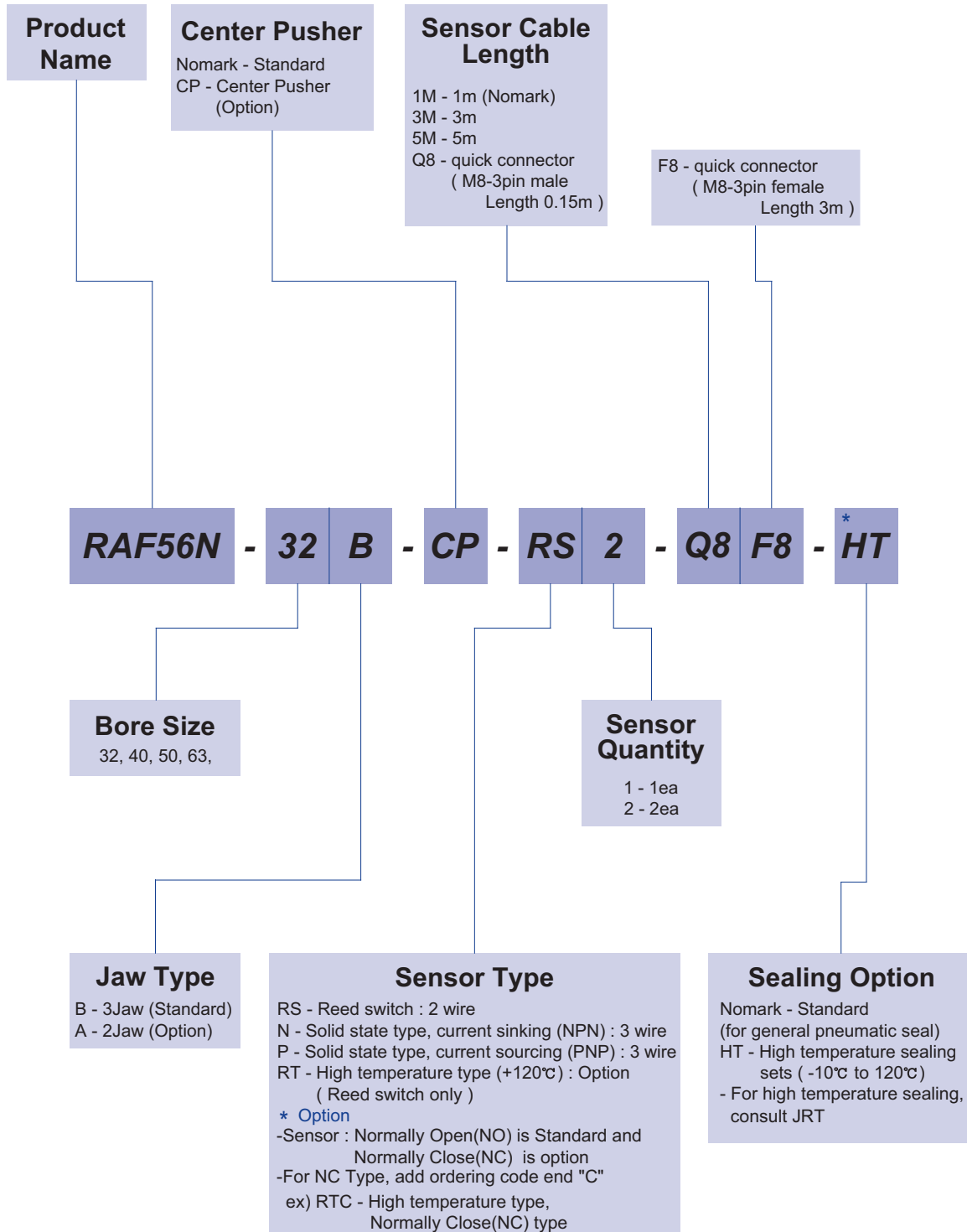
RAF56N

Exploded view



RAF56N

Ordering Code



The delivery of * mark option is longer than a standard, So inquire of JRT

RAF56N

Specification

P=Air Pressure[bar] , L=Exertion length[mm]

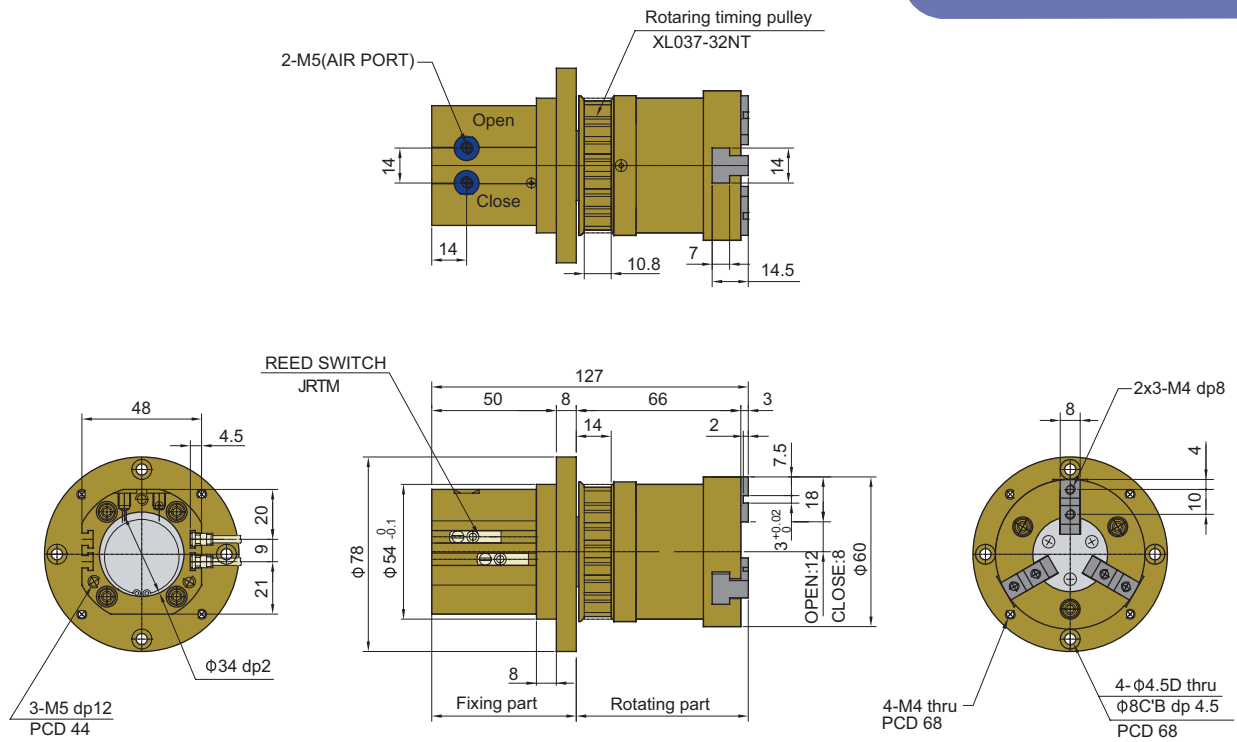
Products Name	RAF56N-32B	RAF56N-40B	RAF56N-50B	RAF56N-63B	Unit
Stroke	8	10	12	16	mm
Weight	0.95	1.43	1.74	2.40	kg
Max. length of attach	50	60	80	100	mm
Fitting size	M5	M5	M5	M5	
Gripping force:Open	56.90P/(1+0.009L)	103.99P/(1+0.007L)	150.09P/(1+0.007L)	238.38P/(1+0.006L)	N
Gripping force:Close	52.97P/(1+0.009L)	95.16P/(1+0.007L)	138.32P/(1+0.007L)	211.90P/(1+0.006L)	N
Timing pulley spec.	XL037-32NT	XL037-40NT	XL037-40NT	XL037-40NT	
Air consumption per cycle	6.8	14.9	27.9	59.7	cm ³
Closing / Opening time	0.01 / 0.01	0.02 / 0.02	0.03 / 0.03	0.06 / 0.06	sec
* Repeat accuracy	0.01	0.01	0.01	0.01	mm
Max.cycle per minute	60	50	50	50	
Revolution per minute	100				
Operating pressure	3~7				bar
Ambient temperature	-5 to 60				°C
Lubrication	Needless				

* After 100 consecutive strokes to end positions

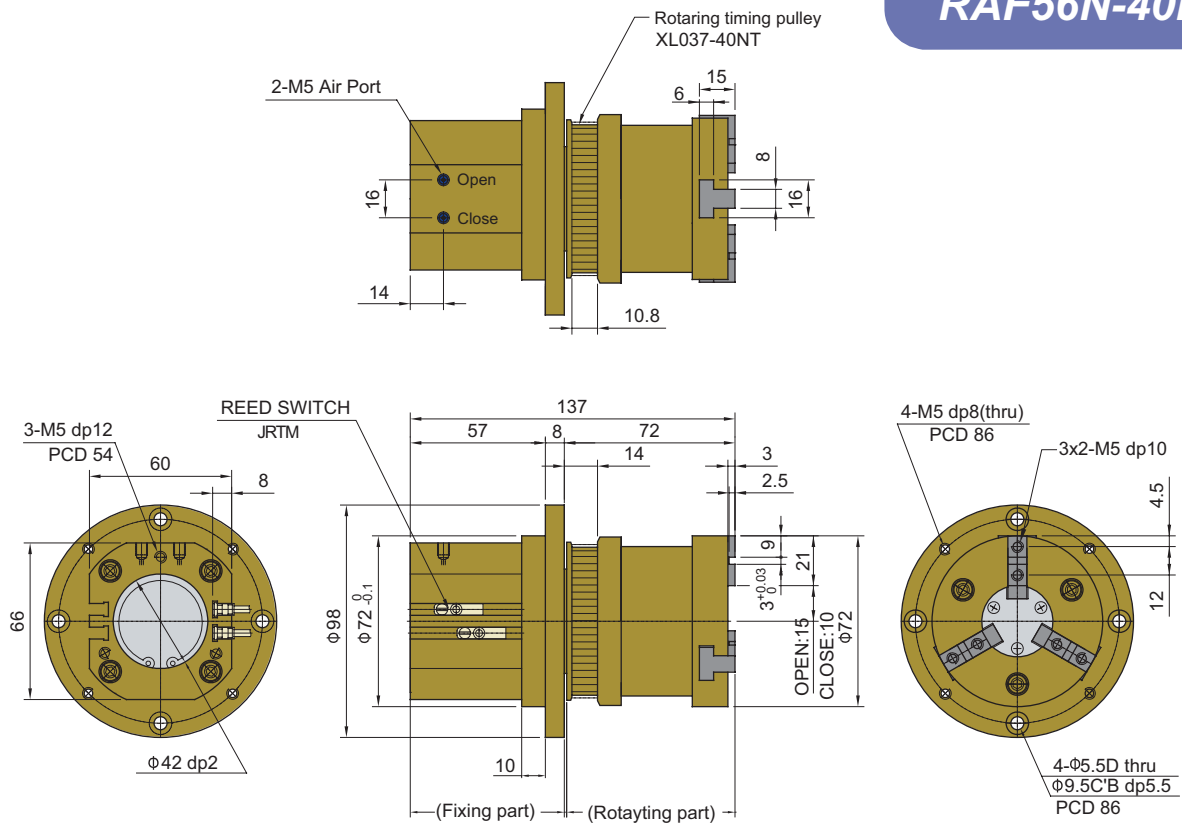
Note

RAF56N

RAF56N-32B

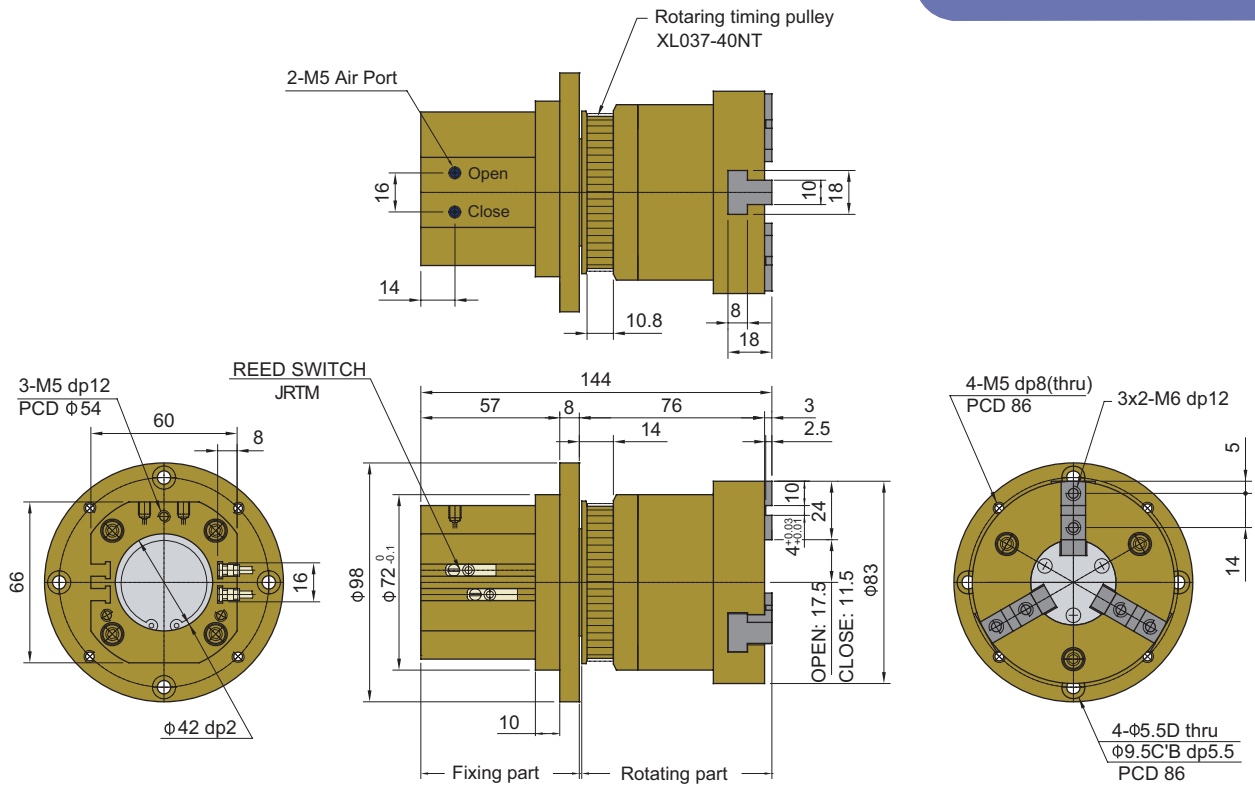


RAF56N-40B



RAF56N

RAF56N-50B



RAF56N-63B

