

320 Series

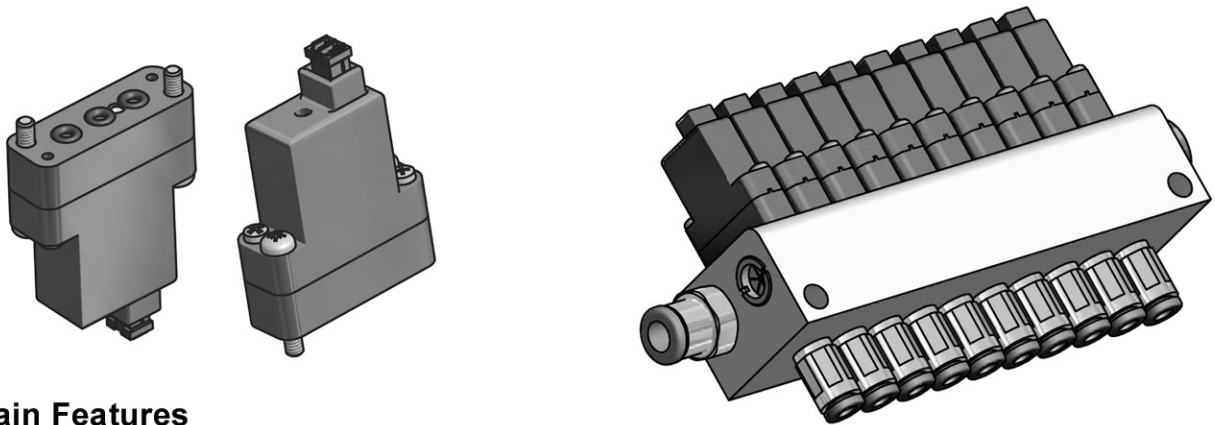


High Performance Mini Solenoid Valve
PNEUMATIC DIVISION

MATRIX
mechatronics

The new mini Series 320 valve adopts the innovative functional principle with the balancing shutter, developed by Matrix in order to grant total absence of friction during the opening and closing phases, which combined with the drastic reduction of the moving masses allows dynamic performances that were until now unimaginable in the global scenario of the micro-actuation.

The tiny dimensions, the exceptional performances in terms of response times and operating speed, the high flow rate and the operating life of half a billion cycles make of the 320 Series the ideal solution for all the applications requiring extreme compactness, speed and reliability beyond a general optimization of exercise and service (semi-conductors, electronics, textile, medical & bio-tech, handling, robotics, packaging, testing, sorting, micro-percussion...).

**Main Features**

- Compact dimensions and small footprint (8x23 mm)
- Light weight (15 g)
- Insensible to vibrations and accelerations
- Balanced-shutter proven technology
- High performances (up to 200 Hz)
- Long operating life (half a billion cycles)
- Maintenance free

