

NS 6/15 AM, NS 6/25 AM, NS 25/15 AM, NS 25/25 AM

NS 10/15 AM - NS 100/25 AM



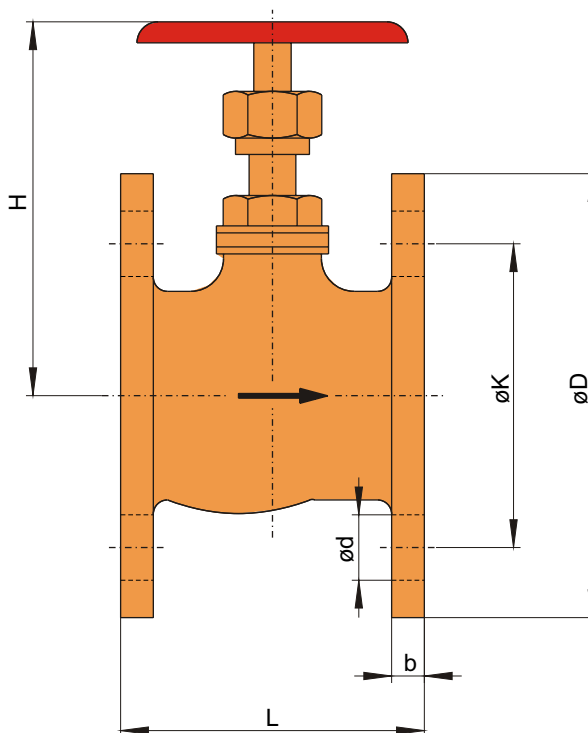
- short length
- different models
- universal use

Technical data NS 6/15 AM, NS 6/25 AM, NS 25/15 AM, NS 25/25 AM

types	DN 15 ; PN 16 DN 25 ; PN 16
max. operating pressure	16 bar
max. operat. temperature	120 °C
material	red bronze and brass
valve seal	metallic packing

dimensions

description	DN 15	DN 25
øD	95	115
øK	65	85
b	7	8
H	80	115
L	65	85
ød	14	14
weight	1 kg	1,8 kg



Attention! Valves can be mounted at types NS 25/15 AM and NS 25/25 AM but only be used up to a max. operating pressure of 16 bar.

Order Information

Part-No.	Description
26 01 000	flange valve DN15 ; PN16
22 51 000	gasket DIN 2690, 45 / 22 x 2 mm
26 02 000	flange valve DN25 ; PN16
22 52 000	gasket DIN 2690, 68 / 27 x 2 mm
22 71 000	mounting screws with nuts, 8 x M12 x 50

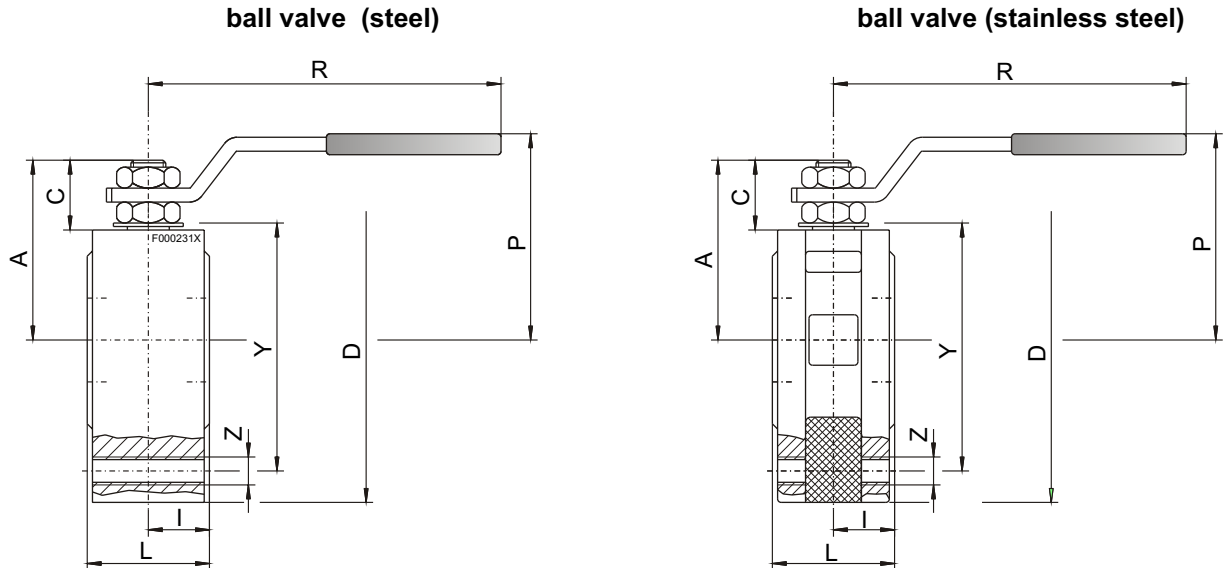
we reserve the right to amend specification

Technical data NS 10/15 AM - NS 100/25 AM

types	ball valve (steel)	ball valve (stainless steel)
nominal pressure (PN)	16/40 ; 65 ; 100	16/40 ; 65 ; 100
nominal size (DN)	15 (1/2") ; 20 (3/4") ; 25 (1")	15 (1/2") ; 20 (3/4") ; 25 (1")
operating temperature	-20 to +160°C	-30 to +160°C

material:

housing	steel C22.8	1.4408
ball	1.4301	1.4401
ball- and stem-seal	PTFE (Teflon)	PTFE (Teflon)
o-rings	FKM (Viton)	FKM (Viton)
Handle	galvanized steel	galvanized steel



ball valves (steel)													
Part-no.	DN	D	Y	Z	I	L	R	P	A	C	PN	kg	
9008070	1/2"	15 mm	90	65	4xM12	19	35	131,5	64,5	47	15,5	16/40	1,3
9008001	3/4"	20 mm	100	75	4xM12	20	40	131,5	69	51,5	15,5	16/40	1,9
9008002	1"	25 mm	110	85	4xM12	24	46	174,5	80,5	61	19,5	16/40	2,7
9008073	1"	25 mm	140	100	4xM16	32,5	65	253	116	81	23	65	4,8
9008077	1"	25 mm	140	100	4xM16	32,5	65	253	116	81	23	100	4,8
ball valves (stainless steel)													
Part-no.	DN	D	Y	Z	I	L	R	P	A	C	PN	kg	
9008071	1/2"	15 mm	90	65	4xM12	19	35	131,5	64,5	47	15,5	16/40	1,3
9008072	3/4"	20 mm	100	75	4xM12	20	40	131,5	69	51,5	15,5	16/40	1,9
9008004	1"	25 mm	110	85	4xM12	24	46	174,5	80,5	61	19,5	16/40	2,7
9008078	1"	25 mm	140	100	4xM16	32,5	65	253	116	81	23	65	4,8
9008079	1"	25 mm	140	100	4xM16	32,5	65	253	116	81	23	100	4,8

Order information:

order with: part-no., type, normally pressure PN and normally size DN