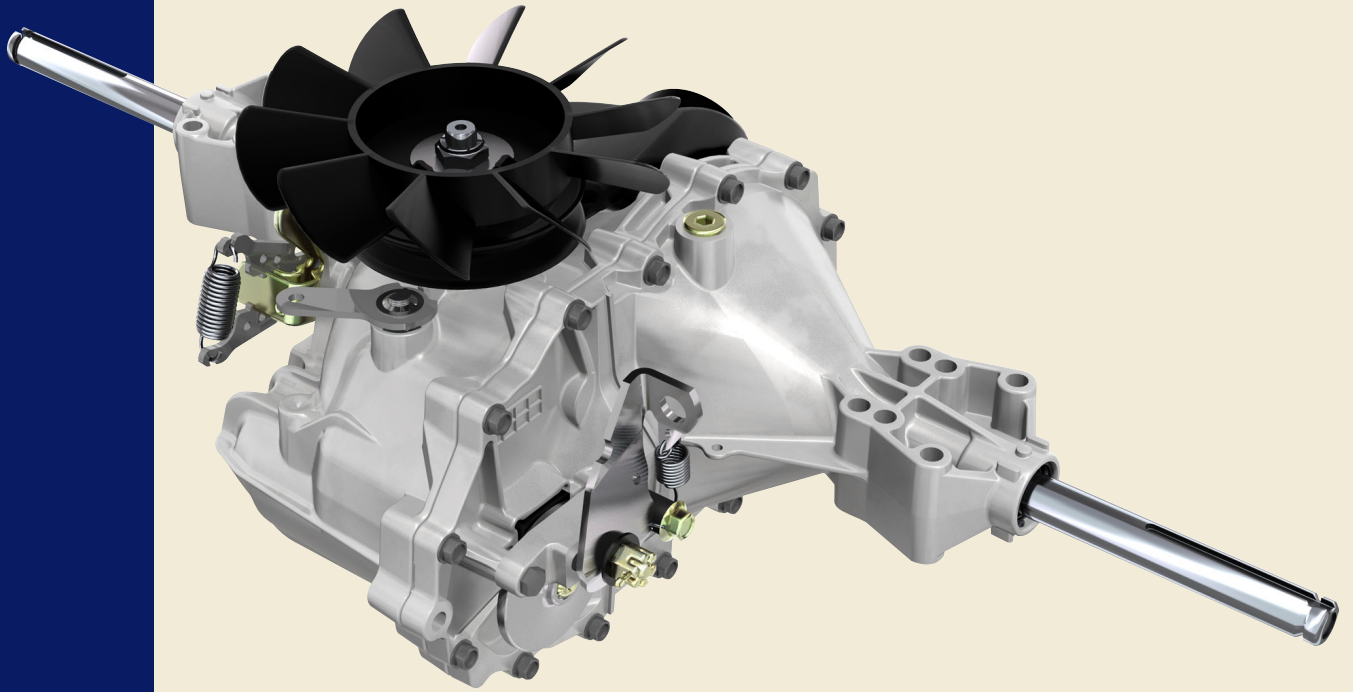


T2[®]

Integrated Hydrostatic Transaxle

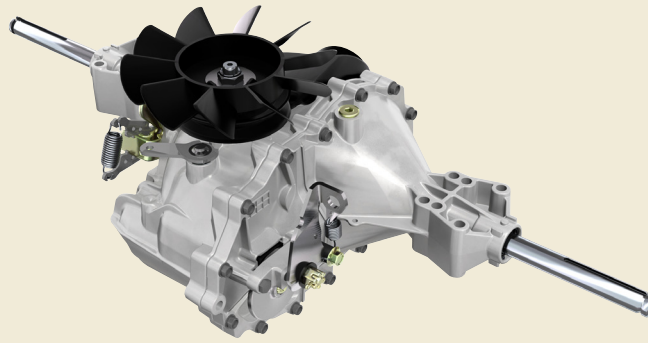


FORWARD MOTION THROUGH FORWARD THINKING[®]

 **HYDRO-GEAR[®]**
FORWARD MOTION THROUGH FORWARD THINKING

T2[®]

Integrated Hydrostatic Transaxle



Designed for front and rear engine lawn tractors

Infinitely variable speed and direction control

Leading drive system design for smooth and quiet performance

Friction pack available for hand controlled vehicles

Return-to-neutral (RTN) device available for foot controlled vehicles

Multiple fan and pulley options

Industry leading warranty and service support



SPECIFICATIONS		T2		T2-HP™
Overall Transaxle Reduction		20.63:1	22.68:1	25.42:1
Input Speeds				
<i>Maximum Hi-Idle [No Load]</i>	<i>rpm</i>	3000		
<i>Minimum [Loaded]</i>	<i>rpm</i>	1800		
Output Torque				
<i>Continuous</i>	<i>lb-ft [Nm]</i>	105 [142]	115 [156]	145 [197]
<i>Intermittent</i>	<i>lb-ft [Nm]</i>	195 [264]	215 [291]	285 [386]
Weight on Tires				
<i>Maximum with 16" tires</i>	<i>lb [kg]</i>	540 [245]	540 [245]	540 [245]
<i>Maximum with 18" tires</i>	<i>lb [kg]</i>	-	500 [227]	540 [245]
<i>Maximum with 20" tires</i>	<i>lb [kg]</i>	-	-	540 [245]
Axle Shaft Diameter	<i>in [mm]</i>	0.75 [18.375]		
Axle Shaft End Options	<i>Type:</i>	Two Flats or Keyed		
Parking Brake Type		External Disc		
Weight of Unit	<i>lb [kg]</i>	28 [12.7]		

Specifications subject to change without notice.

BLN-52665_P2
10/2010



A World Leader in Hydrostatic Transaxles * Axial Piston Pumps & Motors * LSHT Wheel Motors * Electric L&G Systems
1411 South Hamilton Street * Sullivan, IL 61951 * Phone (217) 728-2581 * Fax (217) 728-7665 * www.hydro-gear.com