

FEATURES

- Stroke: 50, 100, 150, 200, 250, 300, 350, 400, 500 and 750mm (others on request)
- Materials:
 - Motor and actuator tube are powder coated steel or stainless steel
 - Piston rod is aluminum
 - Front and rear brackets are PA, Aluminium or stainless steel
- Protection class: IP66 (standard), IP68, IP69K, ATEX
- Temperature:
 - Standard (-5°C - +70°C)
 - Low (-40°C - +70°C)
 - High (-5°C - +90°C)
- Cable: 1m, 2X0.65mm² (AWG19), Ø = 4.8mm, black, Molex Mini-Fit Jr. 6 pin
- Bending radius: 6x cable diameter
- Max. static load/Self locking force: PA brackets: 2000N Alu/AISI: 5400N, depending on stroke length for push-applications
- Duty cycle: Max. 10% or 2 minutes in use followed by 18 minutes rest

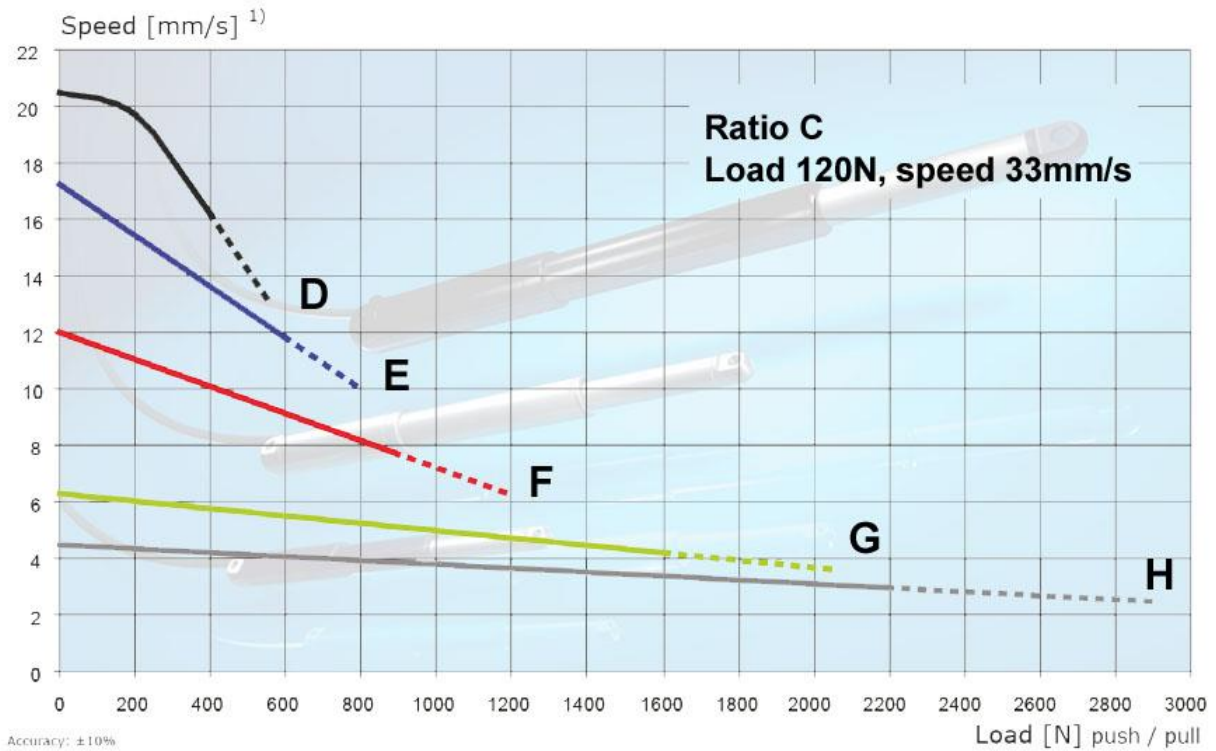
SPEED AND FORCES

Gear ratio	C*	D	E	F	G	H
Maximum load [N]	120	400	600	900	1600	2200
Speed at maximum load [mm/s]	33	16	12	7,5	4	3

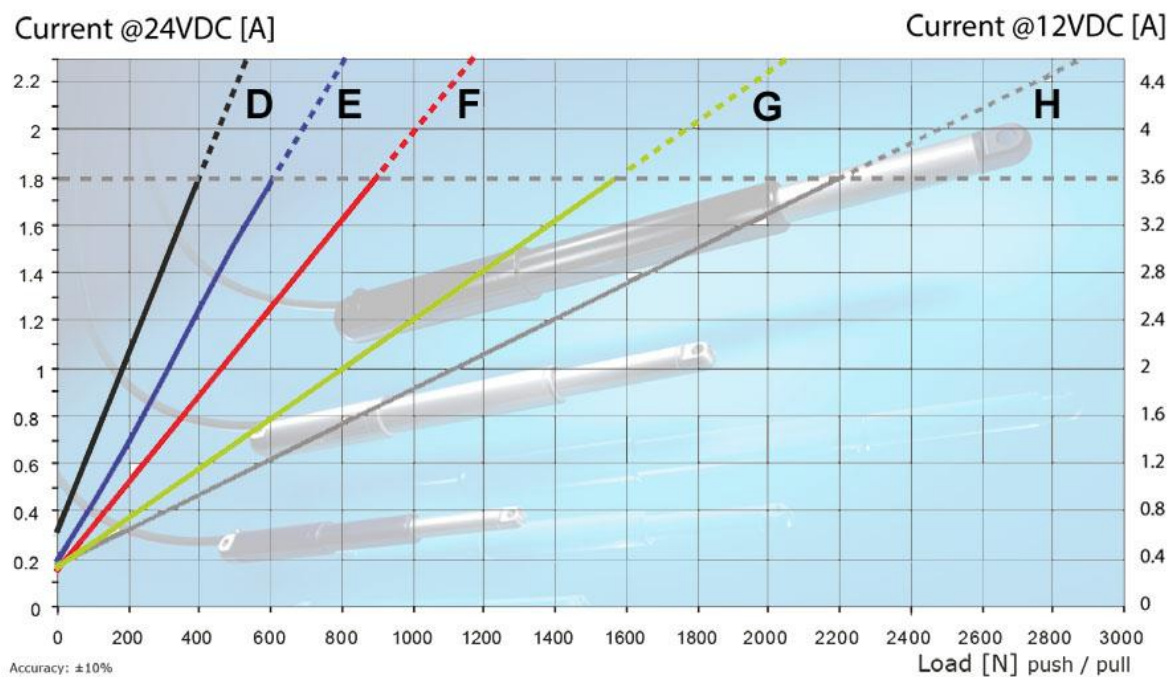
Recommended max. current: 12VDC = 3.6A and
24VDC = 1.8A

* only 24V

SPEED/FORCE



FORCE/CURRENT



DIMENSIONS



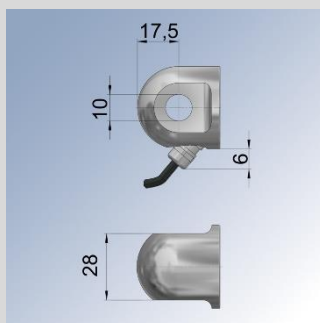
	EL	Clevis rear	Hall Sensor	UL/EN60.601	IP68/IP69K
Gear ratio: C, D, E, F	Stoke + 160*	+10	+10	+10	+11
Gear ratio: G, H	Stoke + 170*				

* Stroke length >500mm: EL+7mm, stroke length >700mm: EL +42mm

Axial backlash: +/- 0,5mm, generally length tolerance +/- 1mm

CONNECTING PARTS "MOTOR-SIDE":

HINGE EYE



Aluminium

- Code: A1M
- Maximum static load: 5400N

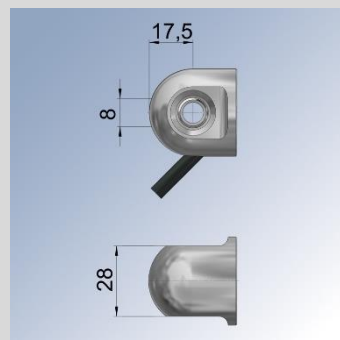
Polyamid (PA)

- Code: B1M
- Maximum static load: 2000N

Stainless steel (316)

- Code: C1M
- Maximum static load: 5400N

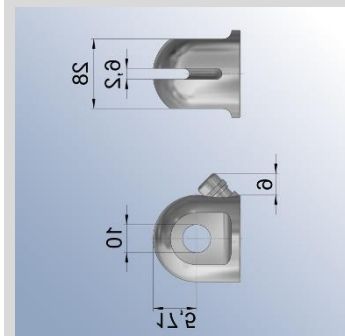
HINGE EYE WITH SPHERICAL BEARINGS



Aluminium

- Code: E1M
- Maximum static load: 5400N

CLEVIS



Aluminium

- Code: F1M
- Maximum static load: 5400N

Polyamid (PA)

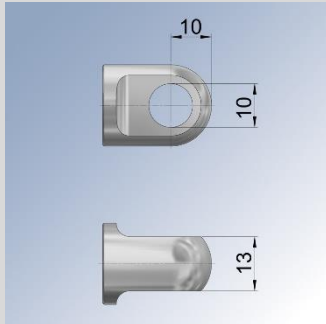
- Code: G1M
- Maximum static load: 2000N

Stainless steel (316)

- Code: H1M
- Maximum static load: 5400N

CONNECTING PART "CYLINDER-SIDE":

HINGE EYE



Aluminium

- Code: A1K
- Maximum static load: 5400N

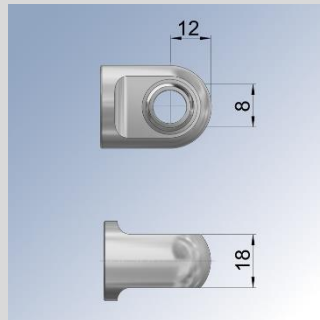
Polyamid (PA)

- Code: B1K
- Maximum static load: 2000N

Stainless steel (316)

- Code: C1K
- Maximum static load: 5400N

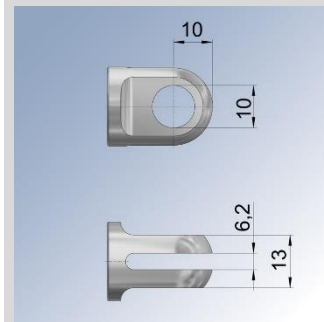
HINGE EYE WITH SPHERICAL BEARINGS



Aluminium

- Code: E1K
- Maximum static load: 5400N

CLEVIS



Aluminium

- Code: F1K
- Maximum static load: 5400N

Polyamid (PA)

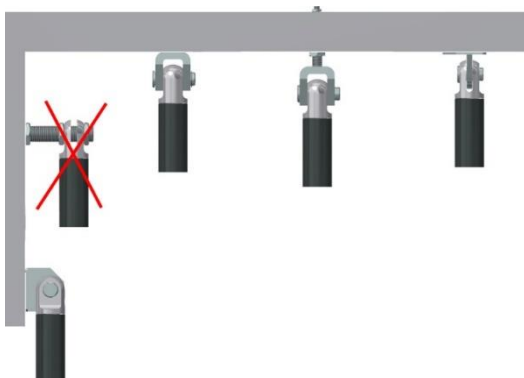
- Code: G1K
- Maximum static load: 2000N

Stainless steel (316)

- Code: H1K
- Maximum static load: 5400N

RECOMMENDED MOUNTING METHODS

- Do not clamp actuators on tubing
- Always keep both brackets mounted in the same orientation and ensure to flush mount actuator
- Brackets must always be able to rotate on axels in mountings



PLEASE NOTE

- Power supply without over-current protection can cause serious damage to the actuator at mechanical end-stop or when actuator is overloaded in another way
- Radial forces might have an adverse effect on the performance or lead to damage of the actuator
- Keep piston tube clean
- Longer cable lengths may cause voltage drop which affects the performance of the actuator
- For medical applications maximum ambient temperature is 48°C
- The dust and water sealing of IP68/IP69K actuators might affect their performance
- All specifications are for 25 °C ambient – low temperature might affect performance