

# Anti Vibration Mounts

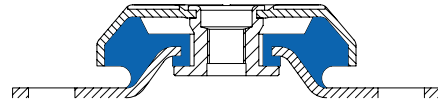
Isolation Products



Overview

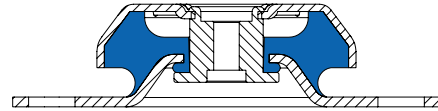
Hard Bell Mounts

3



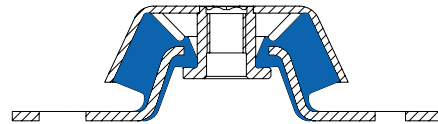
Soft Bell Mounts

6



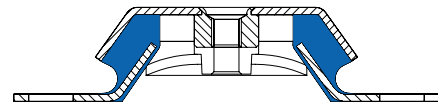
Type CCFQ-CFE-CFAB

10



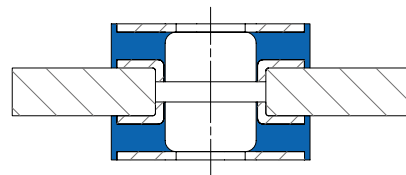
Type CF-CFQ

13



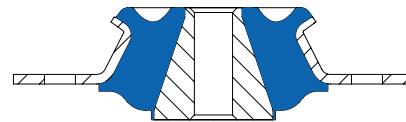
Universal Mounts

16



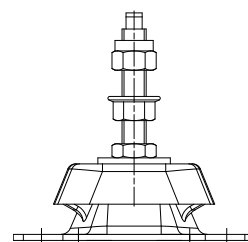
Cones

20



Height Adjuster

30



# Hard Bell Mounts

## Mounts

Mounts which allow a high level of insulation especially used on generators, engines and systems with an operating frequency at around 25 Hz (1500 rpm). Axial stresses are perfectly absorbed and side deflections limited to guarantee a good stability. Hard bell mounts are designed with a fail-safe function making it an ideal solution for applications where safety is paramount.

### Applications

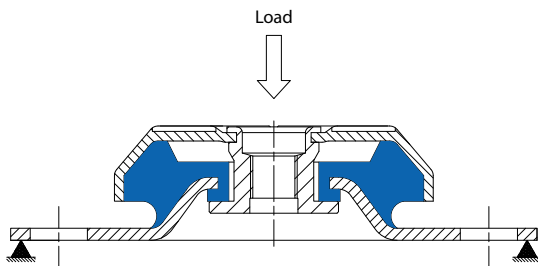
- Gensets
- Engines
- Tooling machinery
- Pumps
- Special equipment
- HVAC

### Standard Production

- Bell and flange: DD13 or DC04 steel (UNI EN 10111 o UNI EN 10130)
- Fail-safe device: 11SMnPb37 (UNI EN 10087)
- Natural rubber NR
- Zinc plated in accordance with CE standards CHROME VI free, white
- Stiffness tolerance +/- 15%

### Options & Additional Parts

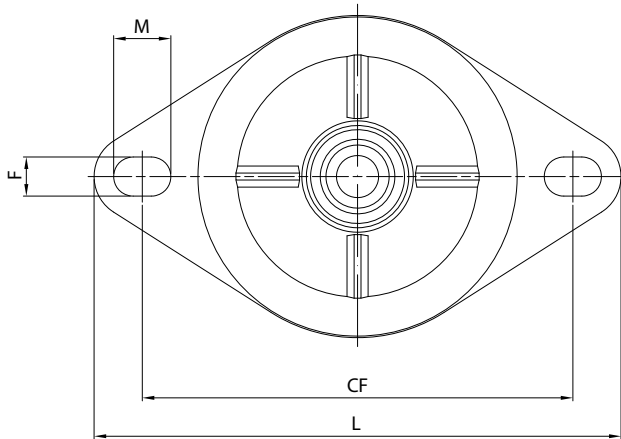
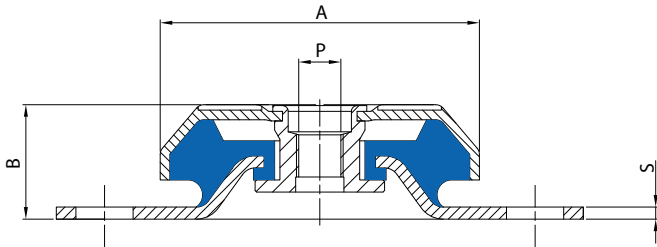
- Stainless steel version
- Height adjuster



Hard bell mounts can withstand up to 2g of shock forces or 5g occasional shock forces with regard to the load without permanent deformation or failing

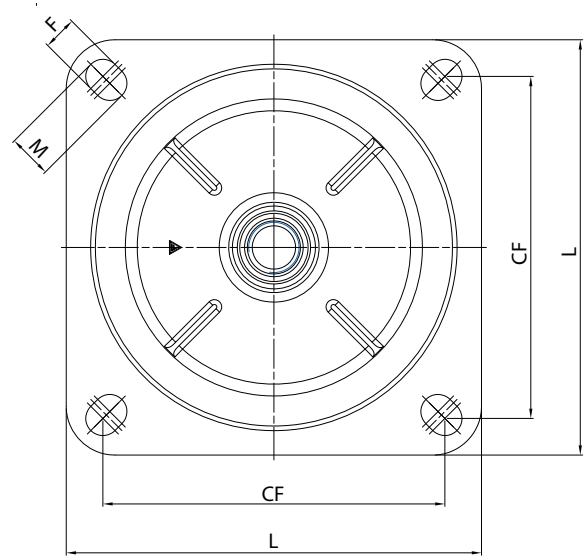
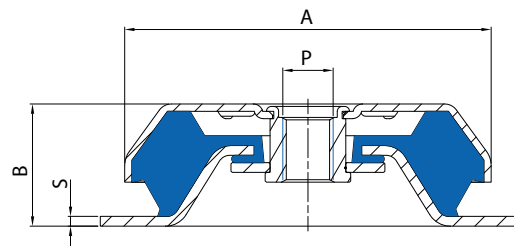
## Type CFBMH

### Type 1



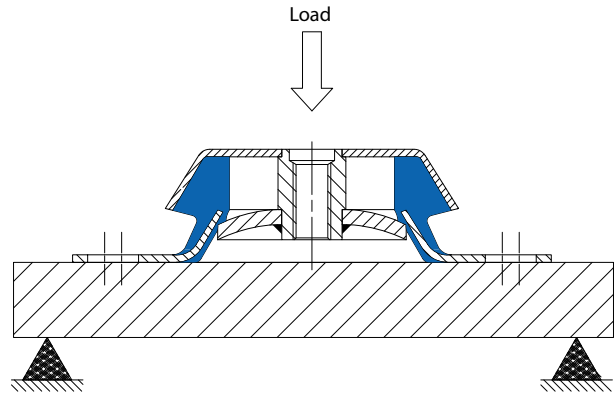
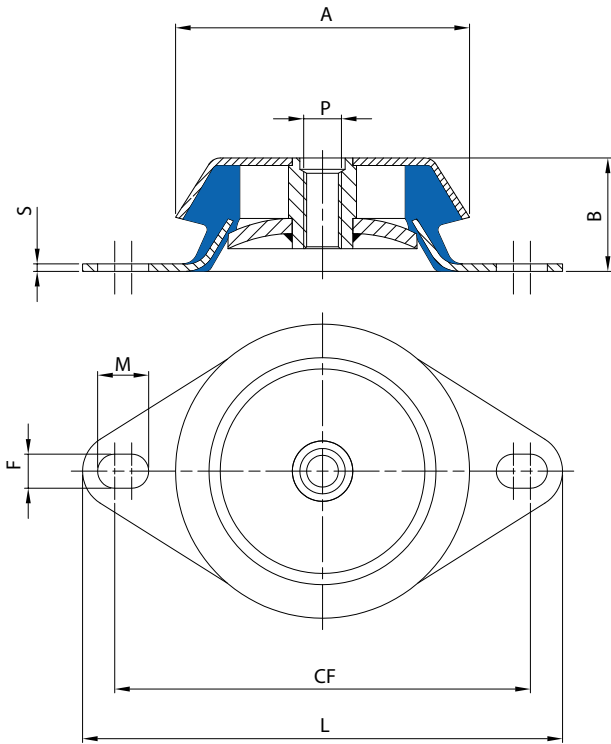
## Type CFBMH

### Type 2



Item	Hardness (IRHD)	A	B	P	FxM	CF	L	S	Average Stiffness (daN/mm)	Max. Load (daN)	Max Deflec. (mm)	Type
CFBMH783010W	45	78	30	M10	9X12	110	135	2,5	47,0	108,0	2,3	1
CFBMH783010M	60	78	30	M10	9X12	110	135	2,5	116,0	267,0	2,3	1
CFBMH783012W	45	78	30	M12	9X12	110	135	2,5	47,0	108,0	2,3	1
CFBMH783012M	60	78	30	M12	9X12	110	135	2,5	116,0	267,0	2,3	1
CFBMH923510W	45	92	35	M10	10X15	123,5	150	3	50,0	175,0	3,5	1
CFBMH923510M	60	92	35	M10	10X15	123,5	150	3	90,0	315,0	3,5	1
CFBMH923512W	45	92	35	M12	10X15	123,5	150	3	50,0	175,0	3,5	1
CFBMH923512M	60	92	35	M12	10X15	123,5	150	3	90,0	315,0	3,5	1
CFBMH1063812W	45	106	38	M12	13X19	143	175	4	70,0	252,0	3,6	1
CFBMH1063812M	60	106	38	M12	13X19	143	175	4	150,0	450,0	3,0	1
CFBMH1063816W	45	106	38	M16	13X19	143	175	4	70,0	252,0	3,6	1
CFBMH1063816M	60	106	38	M16	13X19	143	175	4	150,0	450,0	3,0	1
CFBMH1254316W	45	125	43	M16	14,5X20	156	192	4	88,0	352,0	4,0	1
CFBMH1254316M	60	125	43	M16	14,5X20	156	192	4	185,0	740,0	4,0	1
CFBMH1444816W	45	144	48	M16	14,5X18	182	215	5	100,0	700,0	7,0	1
CFBMH1444816M	60	144	48	M16	14,5X18	182	215	5	200,0	1340,0	6,7	1
CFBMH1605820W	45	160	58	M20	14,5X18	140	170	5	120,0	840,0	7,0	2
CFBMH1605820M	60	160	58	M20	14,5X18	140	170	5	220,0	1540,0	7,0	2
CFBMH1806620W	45	180	66	M20	14,5X18	160	190	5	160,0	1120,0	7,0	2
CFBMH1806620M	60	180	66	M20	14,5X18	160	190	5	320,0	2240,0	7,0	2

## Type CCF



Hard bell mounts can withstand up to 2g of shock forces or 5g occasional shock forces with regard to the load without permanent deformation or failing

Item	Hardness (IRHD)	A	B	P	FxM	CF	L	S	Average Stiffness (daN/mm)	Max. Load (daN)	Max Deflec. (mm)
CCF603510W	45								45,0	110,0	
CCF603510M	60	60	35	M10	8,3X16	75 90	106	2	80,0	190,0	2,4
CCF603510H	70								120,0	290,0	
CCF603512W	45								45,0	110,0	
CCF603512M	60	60	35	M12	8,3X16	75 90	106	2	80,0	190,0	2,4
CCF603512H	70								120,0	290,0	
CCF623110W	45								50,0	125,0	
CCF623110M	60	62	31	M10	8,3X16	75 90	106	3	85,0	212,0	2,5
CCF623110H	70								125,0	312,0	
CCF623112W	45								50,0	125,0	
CCF623112M	60	62	31	M12	8,3X16	75 90	106	3	85,0	212,0	2,5
CCF623112H	70								125,0	312,0	
CCF773010W	45								42,0	147,0	
CCF773010M	60	77	30	M10	9	110	128	2	80,0	280,0	3,5
CCF773010H	70								120,0	420,0	
CCF823510W	45								65,0	200,0	
CCF823510M	60	82	35	M10	11	110	128	2	115,0	345,0	3,0
CCF924512W	45								100,0	300,0	
CCF924512M	60	92	45	M12	10,5	110	138	3	195,0	585,0	3,0
CCF924512H	70								310,0	930,0	
CCF1063812W	45								120,0	420,0	
CCF1063812M	60	106	38	M12	14X18	138 146	172	3	220,0	660,0	3,5
CCF1063812H	70								320,0	960,0	
CCF1063816W	45								120,0	420,0	
CCF1063816M	60	106	38	M16	14X18	138 146	172	3	220,0	660,0	3,5
CCF1063816H	70								320,0	960,0	
CCF1085016/5W	45								120,0	400,0	
CCF1085016/5M	60	108	50	M16	16,5	160	190	5	220,0	660,0	3,3
CCF1085016/5H	70								320,0	960,0	

# Soft Bell Mounts

## Mounts

Mounts which allow a high level of insulation especially used on generators, engines and systems with an operating frequency at around 25 Hz (1500 rpm). Axial stresses are perfectly absorbed and side deflections limited to guarantee a good stability. Soft bell mounts are designed with a fail-safe function making it an ideal solution for applications where safety is paramount.

### Applications

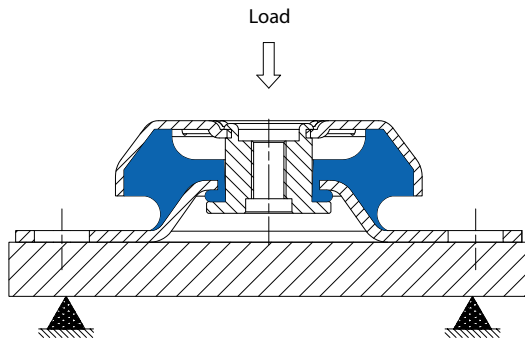
- Gensets
- Engines
- Tooling machinery
- Pumps
- Special equipment
- HVAC

### Standard Production

- Bell and flange: DD13 or DC04 steel (UNI EN 10111 o UNI EN 10130)
- Fail-safe device: 11SMnPb37 (UNI EN 10087)
- Natural rubber NR
- Zinc plated in accordance with CE standard CHROME VI free, white
- Stiffness tolerance +/- 15%

### Options & Additional Parts

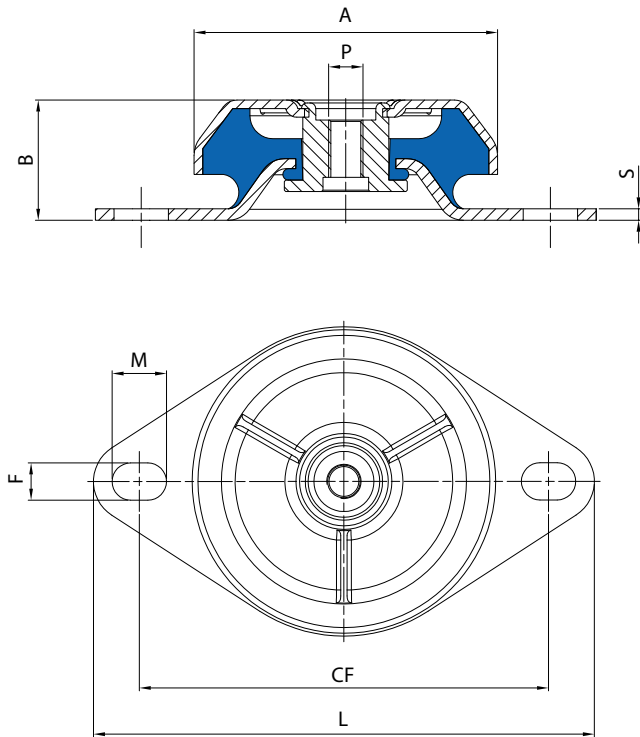
- Stainless steel version
- Height adjuster



Soft bell mounts can withstand up to 2g of shock forces or 5g occasional shock forces with regard to the load without permanent deformation or failing.

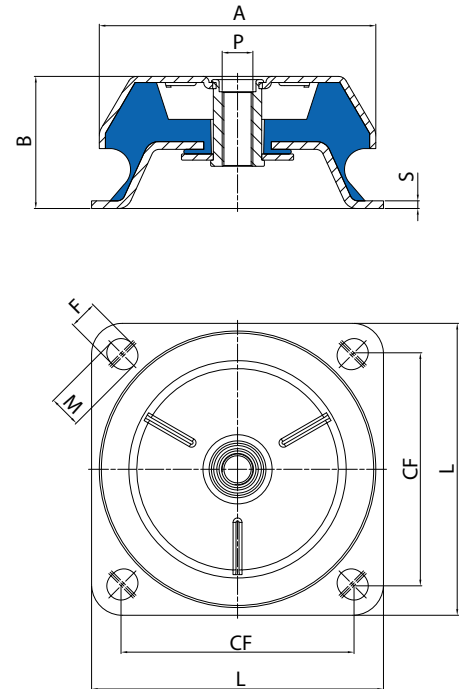
## Type CFBMS

### Type 1



## Type CFBMS

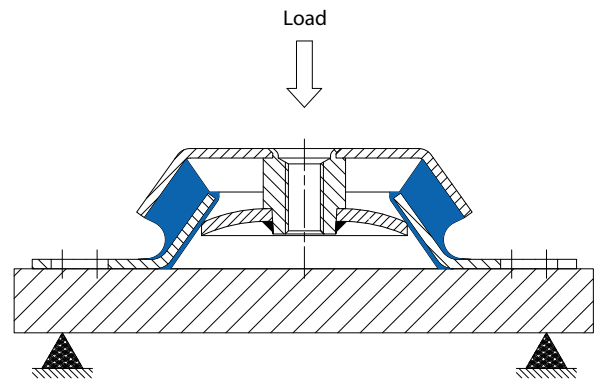
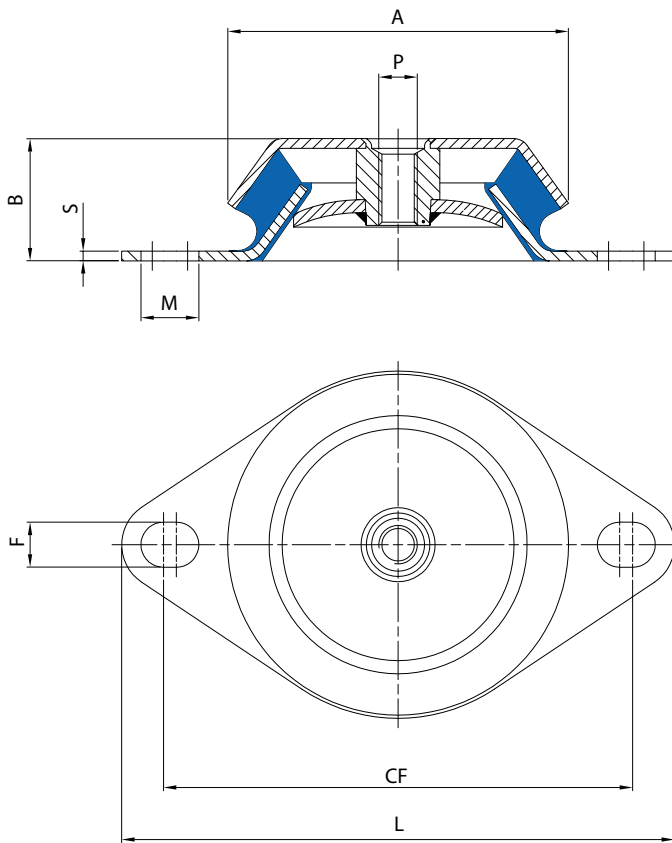
### Type 2



Item	Hardness (IRHD)	A	B	P	FxM	CF	L	S	Average Stiffness (daN/mm)	Max. Load (daN)	Max Deflec. (mm)	Type
CFBMS633510W	45								7,0	30	4,3	
CFBMS633510M	60	63	35	M10	9X12	88	110	2	15,8	60	3,8	1
CFBMS833510W	45								17,8	80	4,5	
CFBMS833510M	60	83	35	M10	11,5X15	110	135	3	44,5	180	4,0	1
CFBMS833512W	45								17,8	80	4,5	
CFBMS833512M	60	83	35	M12	11,5X15	110	135	3	44,5	180	4,0	1
CFBMS1064212W	45								33,5	167	5,0	
CFBMS1064212M	60	106	42	M12	13X19	143	175	4	67,0	335	5,0	1
CFBMS1064216W	45								33,5	167	5,0	
CFBMS1064216M	60	106	42	M16	13X19	143	175	4	67,0	335	5,0	1
CFBMS1505416W	45								37,5	450	12,0	
CFBMS1505416M	60	150	54	M16	14X18	182	218	4	78,7	800	10,2	1
CFBMS1808620W	45								59,2	900	15,2	
CFBMS1808620M	60	180	86	M20	14,5X18	146	190	5	127,0	1700	13,4	2
CFBMS22010524W	45								95,0	1700	17,9	
CFBMS22010524M	60	220	105	M24	17,5X20	180	220	5	195,0	3400	17,4	2

## Type CCFS

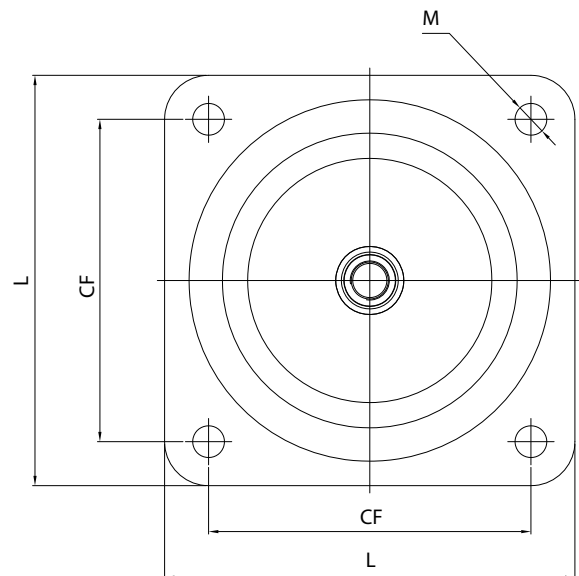
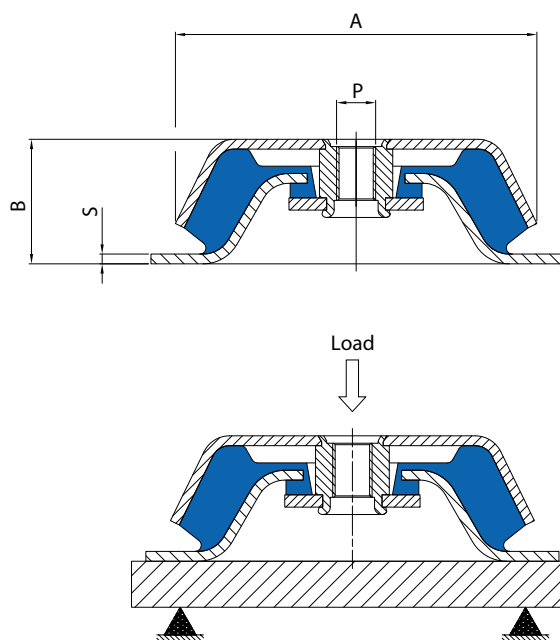
### Type 1



Soft bell mounts can withstand up to 2g of shock forces or 5g occasional shock forces with regard to the load without permanent deformation or failing.

## Type CCFS

### Type 2





Item	Hardness (IRHD)	A	B	P	FxM	CF	L	S	Average Stiffness (daN/mm)	Max. Load (daN)	Max Deflec. (mm)	Type
CCFS823510W	45								12,0	70,0	6,0	
CCFS823510M	60	82	35	M10	11	110	127	2	22,0	130,0	5,8	1
CCFS823510H	70								28,0	160,0	5,5	
CCFS823512W	45								12,0	70,0	6,0	
CCFS823512M	60	82	35	M12	11	110	127	2	22,0	130,0	5,8	1
CCFS823512H	70								28,0	160,0	5,5	
CCFS1063812XW	35								40,0	150,0	3,7	
CCFS1063812W	45	106	38	M12	14X18	138	172	3	55,0	192,5	3,5	1
CCFS1063812M	60					146			100,0	350,0	3,5	
CCFS1063812H	70								150,0	450,0	3,0	
CCFS1063816XW	35								40,0	150,0	3,7	
CCFS1063816W	45	106	38	M16	14X18	138	172	3	55,0	192,5	3,5	1
CCFS1063816M	60					146			100,0	350,0	3,5	
CCFS1063816H	70								150,0	450,0	3,0	
CCFS1064212W	45								28,0	140,0	5,0	
CCFS1064212M	60	106	42	M12	14X18	138	172	3	55,0	275,0	5,0	1
CCFS1064212H	70					146			85,0	425,0	5,0	
CCFS1064212XH	75								120,0	600,0	5,0	
CCFS1064216W	45								28,0	140,0	5,0	
CCFS1064216M	60	106	42	M16	14X18	138	172	3	55,0	275,0	5,0	1
CCFS1064216H	70					146			85,0	425,0	5,0	
CCFS1064216XH	75								120,0	600,0	5,0	
CCFS1214216W	45								125,0	500,0	4,0	
CCFS1214216M	60	121	42	M16	13,5	158	188	3	190,0	760,0	4,0	1
CCFS1214216H	70								290,0	1160,0	4,0	
CCFS1444816XW	35								85,0	527,0	6,2	
CCFS1444816W	45	144	48	M16	14X18	179	216	4	100,0	700,0	7,0	1
CCFS1444816M	60					186			200,0	1340,0	6,7	
CCFS1444816H	70								300,0	1950,0	6,5	
CCFS1505016W	45								110,0	440,0	4,0	
CCFS1505016M	60	150	51	M16	n°4X13	132	168	4	210,0	880,0	4,2	2
CCFS1505016H	70								310,0	1240,0	4,0	

## Type CCFQ/CFE/CFAB Mounts

This mount offers a low profile, easy to install design with an integral fail-safe device to provide shock and failure protection for mobile, marine or seismic stationary applications. When the rubber works in shear and compression it provides large static deflections low natural (to 8 Hz) and high isolation. Our CCFQ/CFE/CFAB are designed with a fail-safe function making it an ideal solution for applications where safety is paramount.

### Applications

- Gensets
- Marine power engines
- Diesel engines
- Pumps
- HVAC

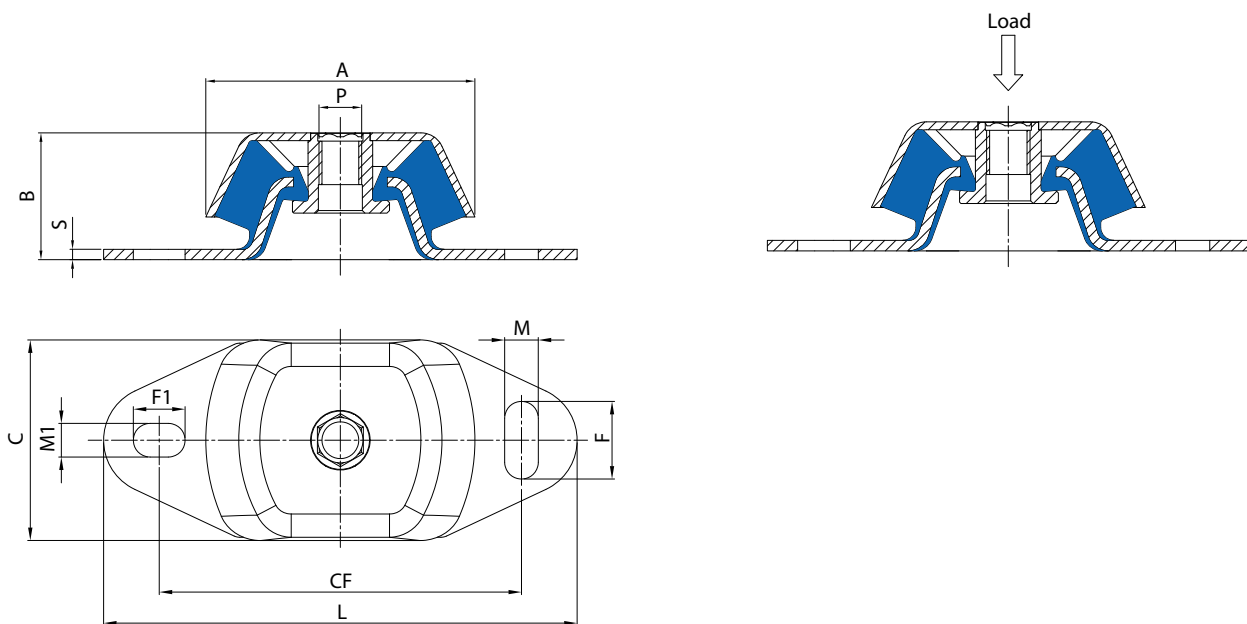
### Standard Production

- Bell and flange: DD13 or DC04 steel (UNI EN 10111 o UNI EN 10130)
- Fail-safe device: 11SMnPb37 (UNI EN 10087)
- Natural rubber NR
- Zinc plated in accordance with CE standard CHROME VI free, white
- Stiffness tolerance +/- 15%

### Options & Additional Parts

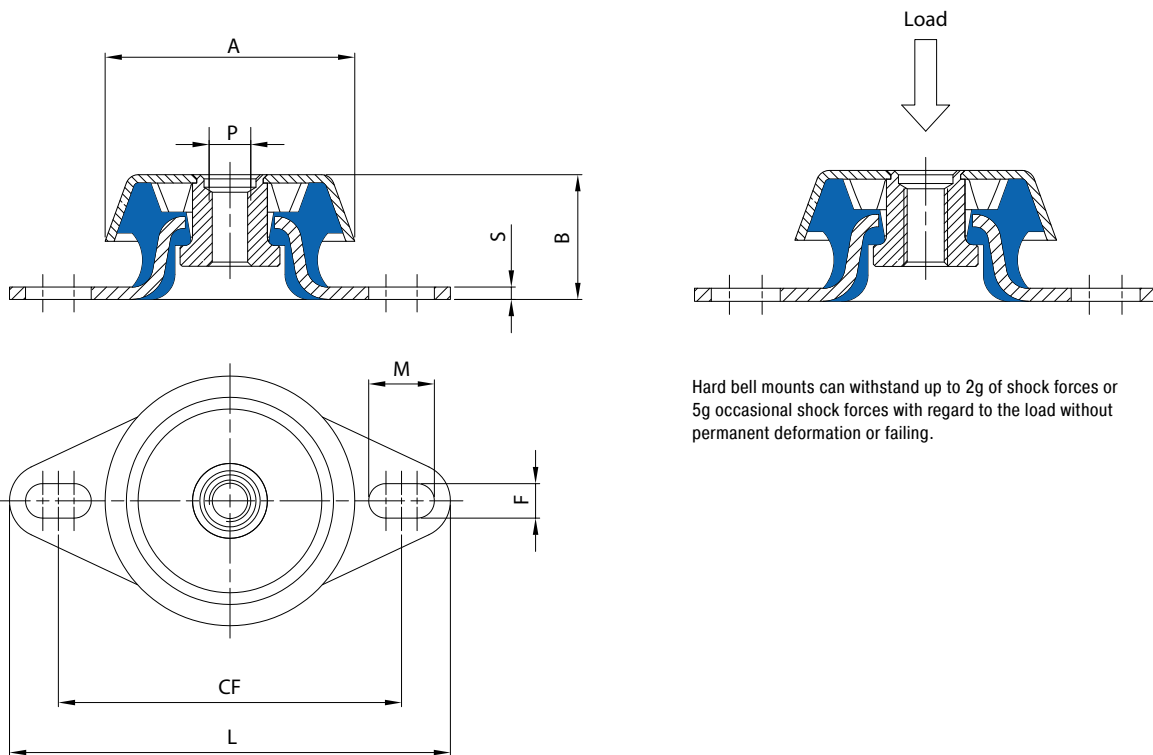
- Stainless steel version
- Height adjuster

## Type CCFQ



Item	Hardness (IRHD)	A	B	C	P	FxM (F1xM1)	CF	L	S	Average Stiffness (daN/mm)	Max. Load (daN)	Max Deflec. (mm)	Average weight (kg)
CCFQ804012W	45 IRHD									9,0	36,0		
CCFQ804012K	50 IRHD	80	38	60	M12	14X11	100	120	3	13,0	52,0	4,0	0,35
CCFQ804012M	60 IRHD									16,0	64,0		
CCFQ804012H	70 IRHD									24,0	96,0		
CCFQ1045016XW	35 IRHD									16,0	80,0		
CCFQ1045016W	45 IRHD									24,0	120,0		
CCFQ1045016M	60 IRHD	104	49	75	M16	30X13 (20X13)	140	183	4	38,0	190,0	5,0	0,85
CCFQ1045016H	70 IRHD									60,0	300,0		
CCFQ1045016XH	80 IRHD									95,0	475,0		
CCFQ1307020W	45 IRHD									55,0	330,0		
CCFQ1307020M	60 IRHD	132	71	112	M20	34X18 (26X18)	182	230	5	90,0	540,0	6,0	2,35
CCFQ1307020H	70 IRHD									135,0	810,0		
CCFQ1307020XH	80 IRHD									220,0	880,0	4,0	

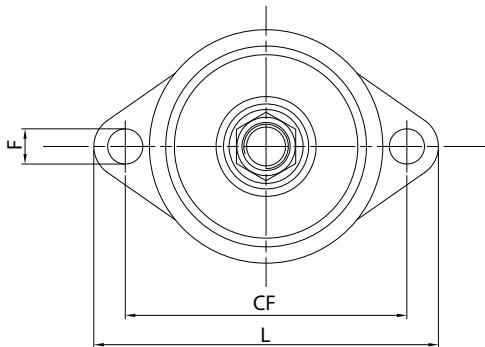
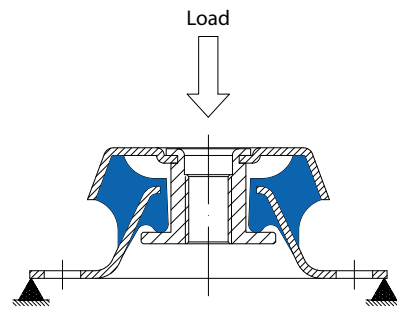
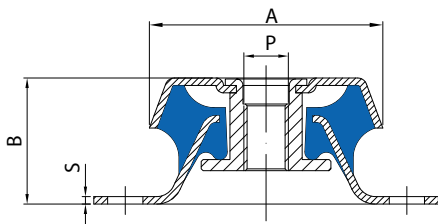
### Type CFE



Hard bell mounts can withstand up to 2g of shock forces or 5g occasional shock forces with regard to the load without permanent deformation or failing.

Item	Hardness (IRHD)	A	B	P	FxM	CF	L	S	Average Stiffness (daN/mm)	Max. Load (daN)	Max Deflec. (mm)
CFE623110XW	35								7,5	25	3,3
CFE623110W	45								10,0	34	3,4
CFE623110K	50	60	31	M10	8,3X16	75 90	106	3	13,0	43	
CFE623110M	60								16,0	53	3,3
CFE623110H	70								25,0	83	
CFE623112W	45								10,0	34	3,4
CFE623112K	50	60	31	M12	8,3X16	75 90	106	3	13,0	43	
CFE623112M	60								16,0	53	3,3
CFE623112H	70								25,0	83	

## Type CFAB



Hard bell mounts can withstand up to 2g of shock forces or 5g occasional shock forces with regard to the load without permanent deformation or failing.

Item	A	B	P	FxM	CF	L	S	Average Stiffness (daN/mm)	Max. Load (daN)	Max Deflec. (mm)
CFAB-3	63	34	M12	9,5	76	93	2	20	70	3,5
CFAB-2	63	34	M12	9,5	76	93	2	30	110	3,5
CFAB-0	63	34	M12	9,5	76	93	2	37	130	3,5

# Type CF/CFQ

## Mounts

Mounts which allow a high level of insulation especially used on generators, engines and systems with an operating frequency at around 25 Hz (1500 rpm). Axial stresses are perfectly absorbed and side deflections limited to guarantee a good stability. The CF/CFQ are fully bonded and have a threaded insert to allow an easy assembling.

### Applications

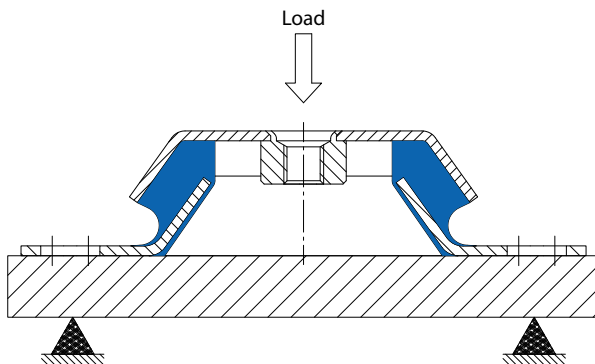
- Gensets
- Engines
- Special equipments
- Tooling equipment
- Pumps
- HVAC

### Standard Production

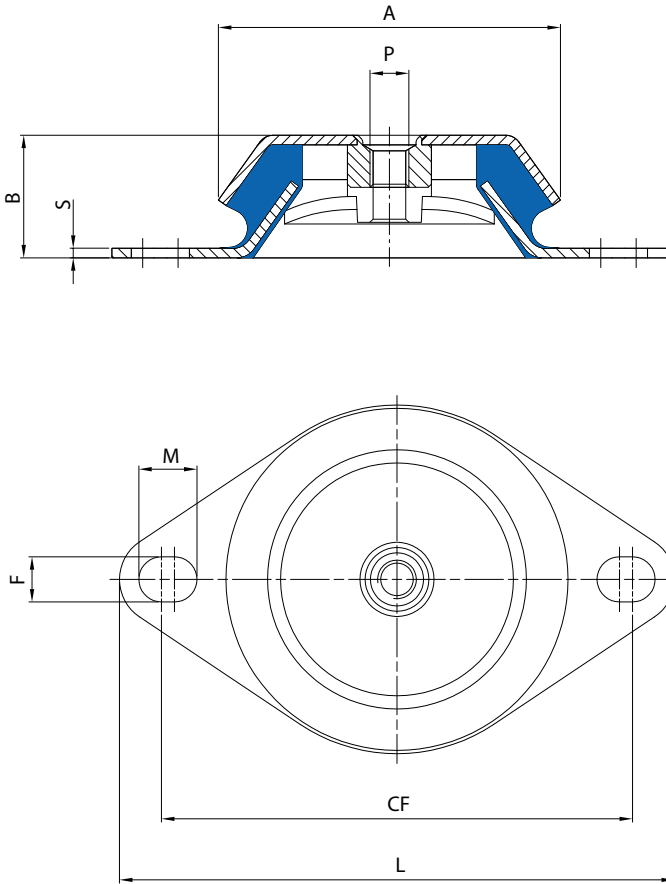
- Bell and flange: DD13 or DC04 steel (UNI EN 10111 o UNI EN 10130)
- Nuts: Resistance class 4
- Natural rubber NR
- Zinc plated in accordance with CE standard CHROME VI free, white
- Stiffness tolerance +/- 15%

### Options & Additional Parts

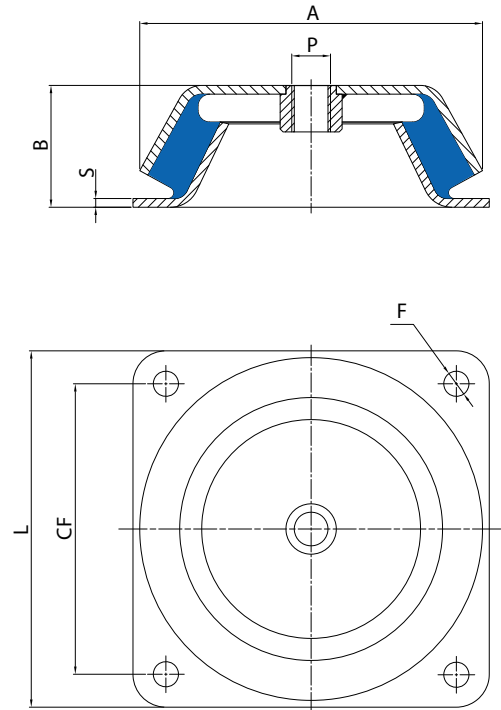
- Stainless steel version
- Height adjuster



## Type CF/CFQ Type 1



## Type CF/CFQ Type 2



Item	Hardness (IRHD)	A	B	P	FxM	CF	L	S	Average Stiffness (daN/mm)	Max. Load (daN)	Max Deflec. (mm)	Type
CFS482308W	45								23	46		
CFS482308M	60	46,5	22,5	M8	6,5	68	81	1,5	30	60	2,0	1
CF482308W	45								30	60		
CF482308M	60	48	23	M8	6,5	68	81	1,5	50	95	2,0	1
CF482308H	70								80	150		
CF603510W	45					75			45	110		
CF603510M	60	60	35	M10	8,3X16		106	2	80	190	2,4	1
CF603510H	70					90			120	290		
CF603512W	45					75			45	110		
CF603512M	60	60	35	M12	8,3X16		106	2	80	190	2,4	1
CF603512H	70					90			120	290		
CF623110W	45					75			50	125		
CF623110M	60	62	31	M10	8,3X16		106	3	85	213	2,5	1
CF623110H	70					90			125	313		
CF623112W	45					75			50	125		
CF623112M	60	62	31	M10	8,3X16		106	3	85	213	2,5	1
CF623112H	70					90			125	313		
CF773010W	45								42	147		
CF773010M	60	77	30	M10	9	110	128	2	80	280	3,5	1
CF773010H	70								120	420		
CF823510W	45								65	200		
CF823510M	60	82	35	M10	11	110	128	2	115	345	3,0	1
CF924512W	45								100	300		
CF924512M	60	92	45	M12	10,5	110	138	3	195	585	3,0	1
CF924512H	70								310	930		
CF924514W	45								100	300		
CF924514M	60	92	45	M14	10,5	110	138	3	195	585	3,0	1
CF924514H	70								310	930		
CF1063812W	45					138			120	420	3,5	
CF1063812M	60	106	38	M12	14X18		172	3	220	660	3,0	1
CF1063812H	70					146			320	960		
CF1063816W	45					138			120	420	3,5	
CF1063816M	60	106	38	M16	14X18		172	3	220	660	3,0	1
CF1063816H	70					146			320	960		
CF1085014/5W	45								120	400	3,3	
CF1085014/5M	60	108	50	M14	16,5	160	190	5	220	660	3,0	1
CF1085014/5H	70								320	960		
CF1085016/5W	45								120	400	3,3	
CF1085016/5M	60	108	50	M16	16,5	160	190	5	220	660	3,0	1
CF1085016/5H	70								320	960		
CFQ1505016W	45								150	600	4,0	
CFQ1505016M	60	150	51	M16	n*4X13	132	168	4	260	1092	4,2	2
CFQ1505016H	70								350	1365	3,9	
CFQ1776020W	45								210	756	3,6	
CFQ1776020M	60	177	62	M20	n*4X13	150	184	4	340	1326	3,9	2
CFQ1776020H	70								530	2014	3,8	

# Universal Mounts

## Mounts

The CTC/T/CGM/FBF range provides excellent fail-safe dynamic insulation particularly in vertical direction, both in traction and in compression. They significantly reduce vibrations and absorb considerable levels of shocks to provide an excellent all-round solution to a wide range of applications on agricultural machines, tractors, off-road machines and military equipment. These mounts are specially suitable for insulating structures where through assembly is required.

### Applications

- Engines
- Radiators
- Cabs

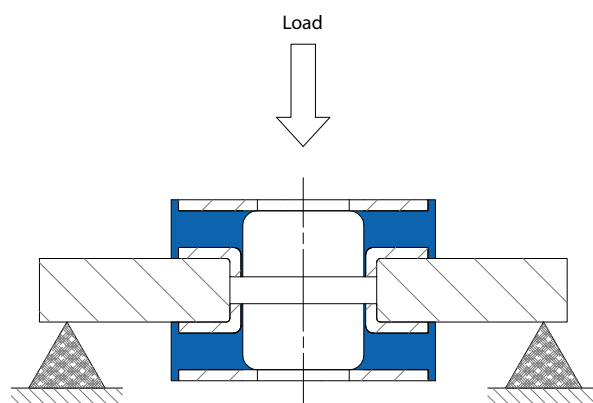
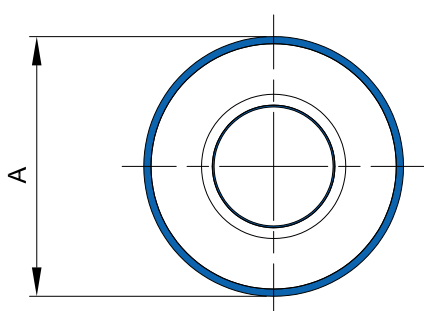
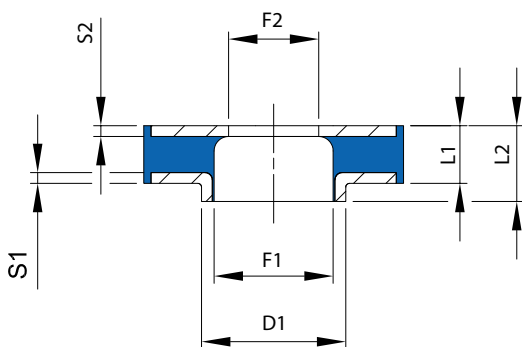
### Standard Production

- Washer and flange: DD12 or DD13 steel (UNI EN 10111)
- Tube: Fe 360 Steel (ISO 3305/3306)
- Natural rubber NR
- Zinc plated in accordance with CE standards CHROME VI free, white
- Stiffness tolerance +/- 15%

### Options & Additional Parts

- NEOPREN CR and Anti-oil NBR version

## Type CGM

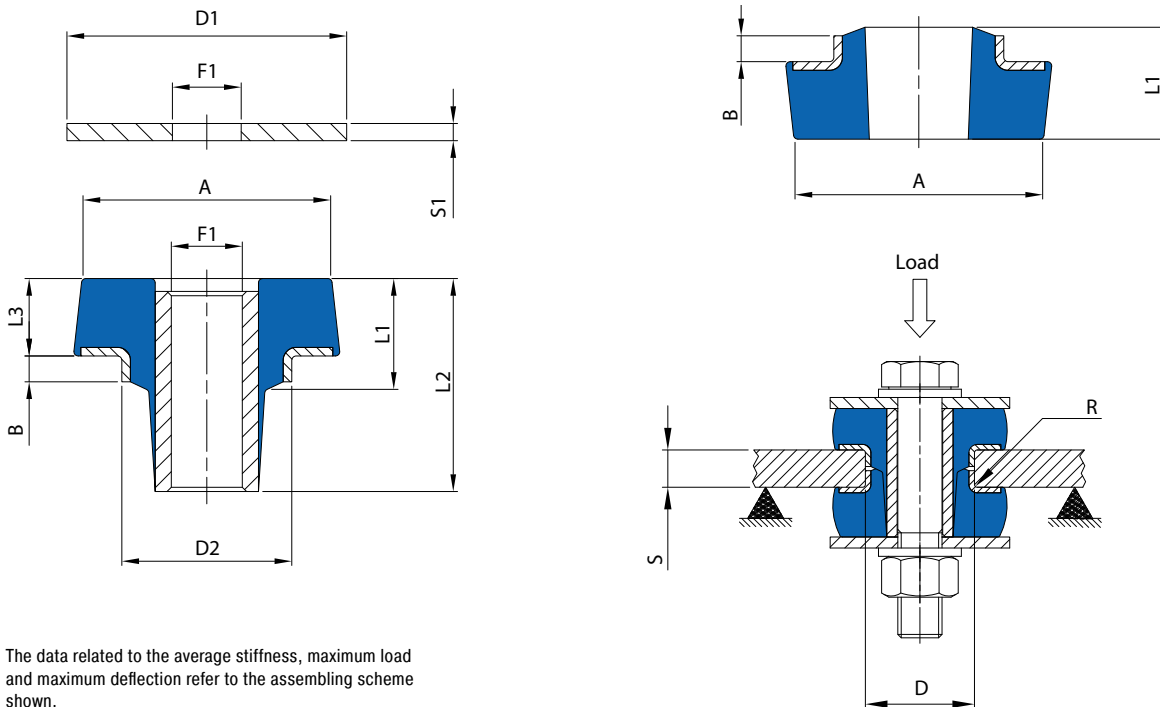


N.B. Mounts are sold individually, but need to be installed in pairs as above, to provide the Isolation Characteristics.



Item	Hardness (IRHD)	A	D1	F1	F2	L1	L2	S1	S2	Average Stiffness [compression] (daN/mm)	Max. Load [compression] (daN)	Max Deflec. [compression] (mm)
CGM3611W	45									90,0	81,0	
CGM3611M	60	36	20	16,5	16,5	8	10,5	1,5	1,5	150,0	135,0	0,9
CGM3611H	70									230,0	207,0	
CGM3614W	45									70,0	84,0	
CGM3614M	60	36	18	12	8,5	10	14	1,5	1,5	110,0	132,0	1,2
CGM3614H	70									170,0	204,0	
CGM5023W	45									80,0	120,0	
CGM5023M	60	50	23	20	16,5	13	22,5	1,5	1,5	140,0	210,0	1,5
CGM5023H	70									210,0	315,0	
CGM6017W	45									110,0	209,0	
CGM6017M	60	60	27	24	20,5	13	17	1,5	1,5	210,0	399,0	1,9
CGM6017H	70									310,0	589,0	
CGM6023W	45									110,0	209,0	
CGM6023M	60	60	27	24	20,5	13	23,5	1,5	1,5	210,0	399,0	1,9
CGM6023H	70									310,0	589,0	
CGM6034M	60	60	27	24	21	30	34	1,5	1,5	70,0	245,0	3,5

## Type CTC Type 1

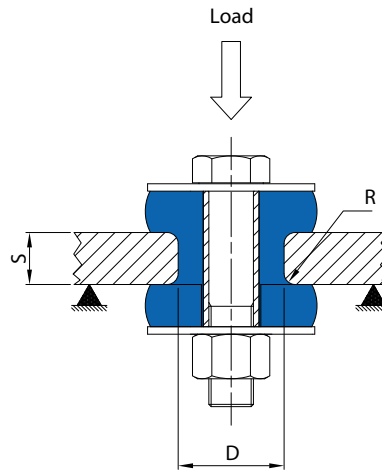
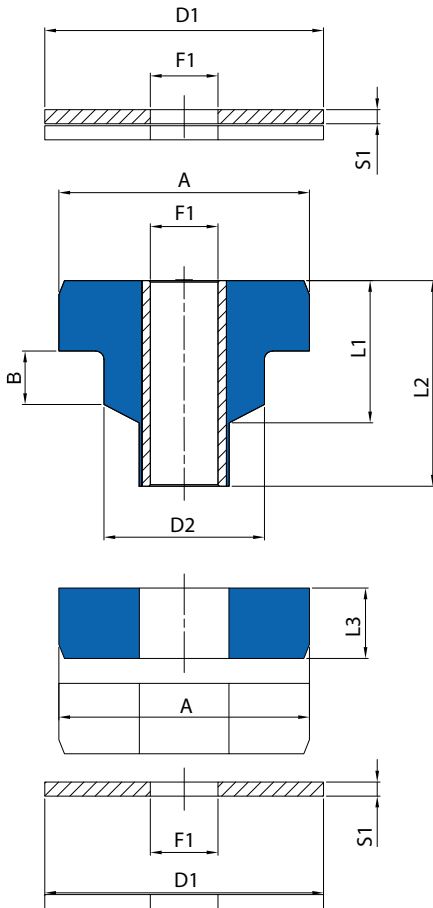


The data related to the average stiffness, maximum load and maximum deflection refer to the assembling scheme shown.

Item	Hardness (IRHD)	Mounts			Washers			Support			Average Stiffness (daN/mm)	Max. Load (daN)	Max Deflec. (mm)			
		A	B	D2	L1	L2	L3	D1	F1	S1				D	S	R
CTC6050W	45													68,0	102,0	
CTC6050M	60	58	6	39.5	26	49.5	18	65	16	4	41	15	1	135,0	202,0	1,5
CTC6050H	70													210,0	315,0	

## Type CTC

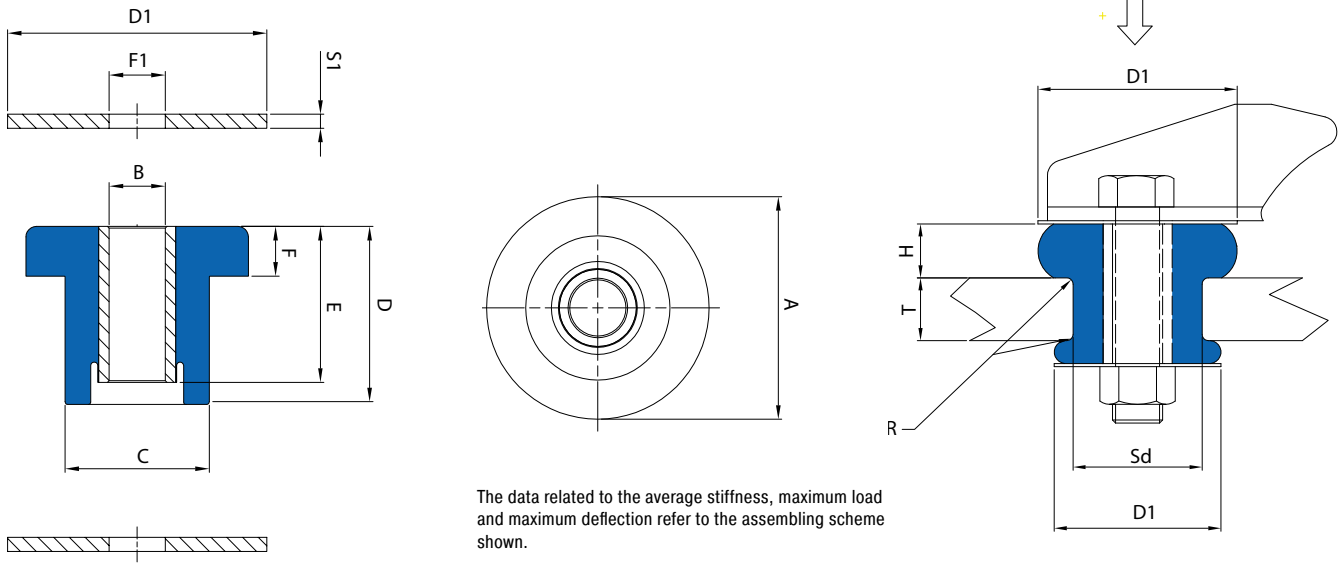
### Type 2



The data related to the average stiffness, maximum load and maximum deflection refer to the assembling scheme shown.

Item	Hardness (IRHD)	A	B	F1	D2	L1	L2	L3	D1	F1	S1	D	S	R	Average Stiffness (daN/mm)	Max. Load (daN)	Max Deflec. (mm)
CTC5050W	45	50	10	13	32	30	50	20	55	12,2	3,5	31	15	1,5	43,0	80,0	1,9
CTC5050M	60														86,0	130,0	1,5
CTC6562W	45	65	16	16,5	40	42	61,7	23	70	16	4	39	22	2,3	58,0	120,0	2,1
CTC6562M	60														140,0	260,0	1,9
CTC8973W	45	89	19	24	57	50,5	73	25	99	24	4	57	28	3	130,0	260,0	2,0
CTC8973M	60														240,0	450,0	1,9

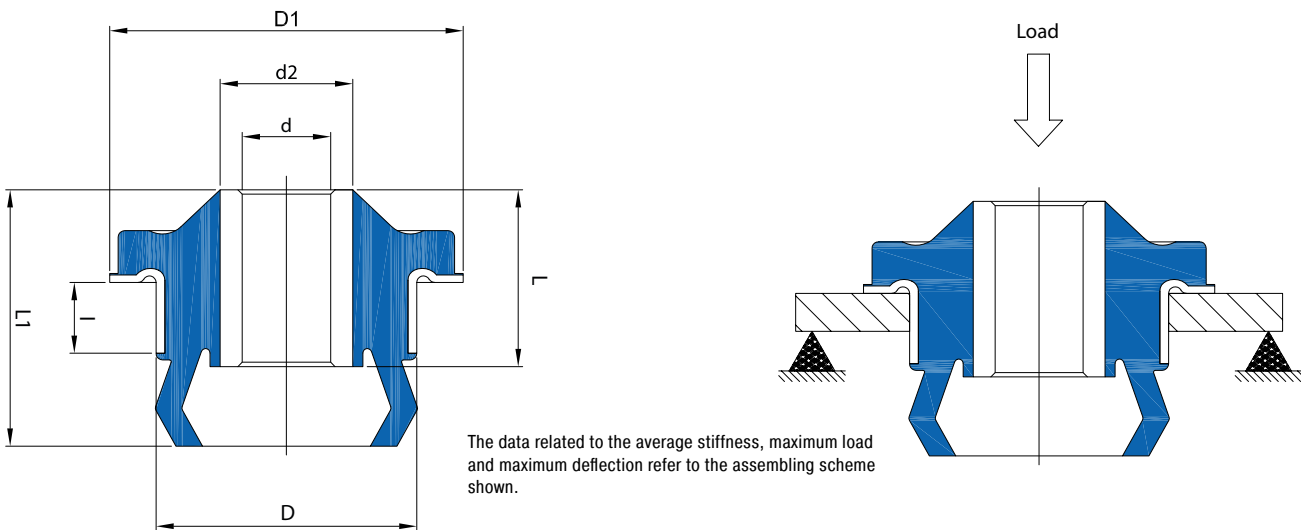
## Type T



The data related to the average stiffness, maximum load and maximum deflection refer to the assembling scheme shown.

Item	Hardness (IRHD)	Mounts						Installation					Washers			Average Stiffness (daN/mm)	Max. Load (daN)	Max Deflec. (mm)
		A	B	C	D	E	F	H	D1	SD	R	T	D1	F1	S1			
T3027M	55	32	10	24	36	27,2	14	13	38	22,7	1,5	9,7	38	10	2	22	50	2,3
T5137K	50	51	13	35	51	37	19	17,5	65	31,8	1,5	12,7	65	12	3	45	135	3,0
T6038K	50	60	17,1	37	53	39,2	17	16	70	35,1	1,5	15,7	70	16	4	75	225	3,0
T6344K	50	63,5	16	41,2	50,8	44,5	14,2	14,2	74	38,1	1,5	19,1	74	16	4	115	210	1,8

## Type FBF



The data related to the average stiffness, maximum load and maximum deflection refer to the assembling scheme shown.

Item	d	D	L	L1	d2	D1	D3	D4	S	S1	Average Stiffness (daN/mm)	Max. Load (daN)	Max Deflec. (mm)	
														Mounts
FBF1659.1640	16,2	59	16	40	25	58	80	60	85	16	min 5	450	1200	2,7
FBF1659.1640W												240	720	3,0
FBF2059.1640	20	59	16	40	30	58	80	60	85	16	min 5	500	1250	2,5
FBF2059.1640W												265	800	3,0

# Cones

## Mounts

These mounts have a particular rubber section made for shear and compression stresses which allows good axial deflections. Cone mounts are low cost isolators that have high load carrying capacity within a compact size that provides a stable solution for a wide number of applications. This design of mount is ideally suited for isolating cabs of trucks, bus engines, radiators etc... The mounts are assembled with two safety washers to minimize overloads. The CNA version is characterized by two different radial stiffnesses.

### Applications

- Gensets
- Engines
- Special equipments
- Compressors
- Pumps
- HVAC

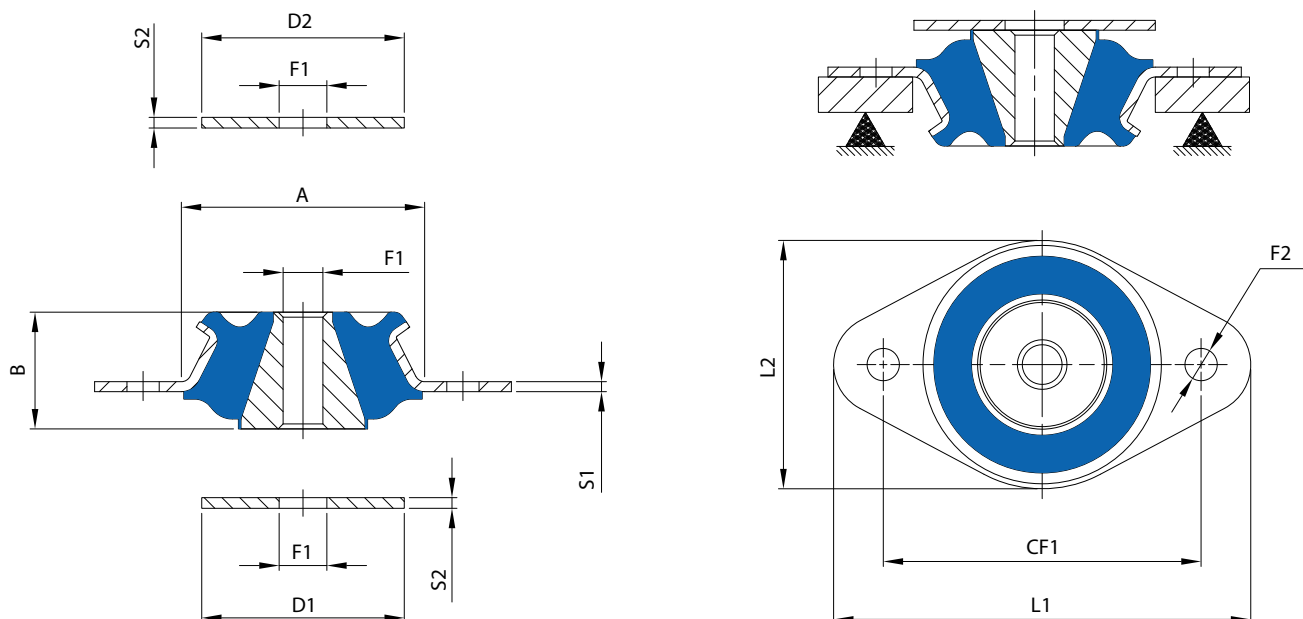
### Standard Production

- Cone and flange: DD13 or DC04 steel (UNI EN 10111 o UNI EN 10130)
- Washers: DD12 Steel UNI 10111
- Natural rubber NR
- Zinc plated in accordance with CE standards CHROME VI free, white
- Stiffness tolerance +/- 15%

### Options & Additional Parts

- Alternative elastomeric compounds available

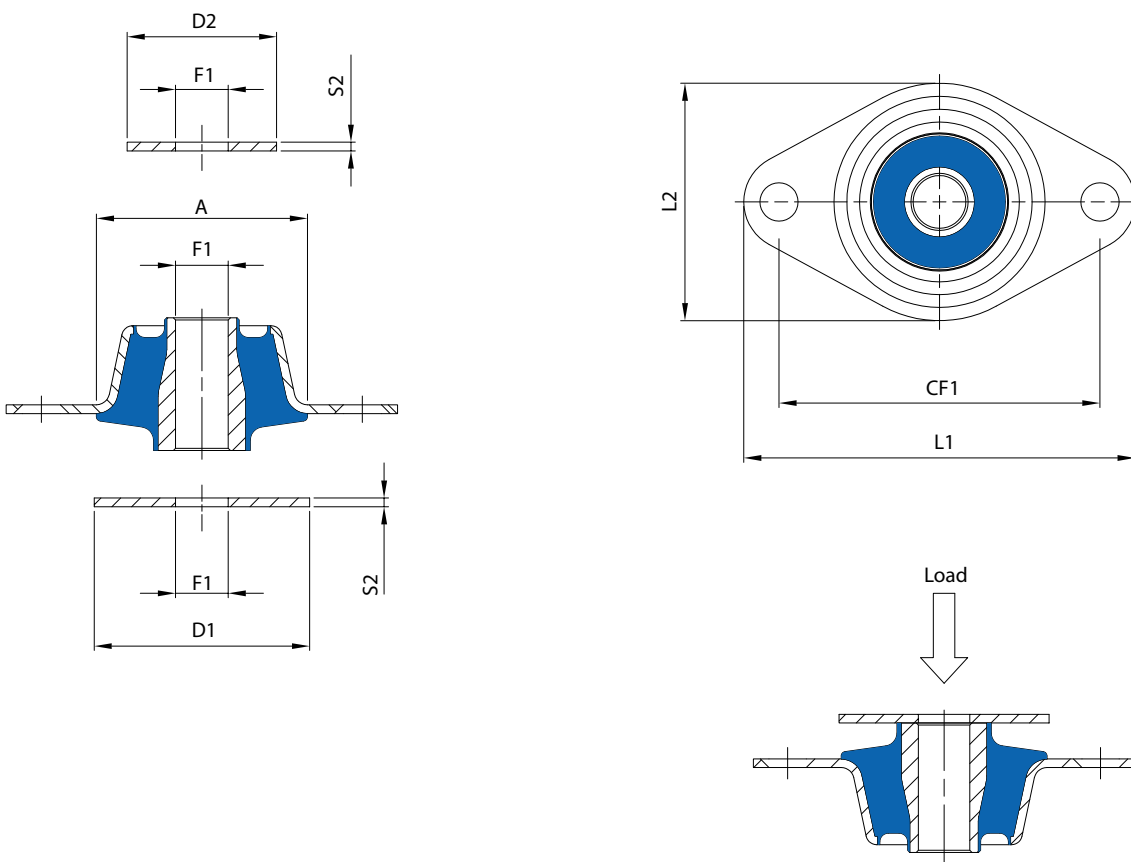
## Type CN



Item	Hardness (IRHD)	A	B	CF1	CF2	L1	L2	F1	S1	F2	D1	D2	F1	S2	Average Stiffness (daN/mm)	Max. Load (daN)	Max Deflec. (mm)
4623CN08W	45														12,5	37,5	
4623CN08M	60	46	23,5	64	-	84	50	8	2	6,5	40	40	8	2	22	66	3
4623CN08H	70														36	108	

The item code means the cone mount with washers; it's possible to order only the cone mount.

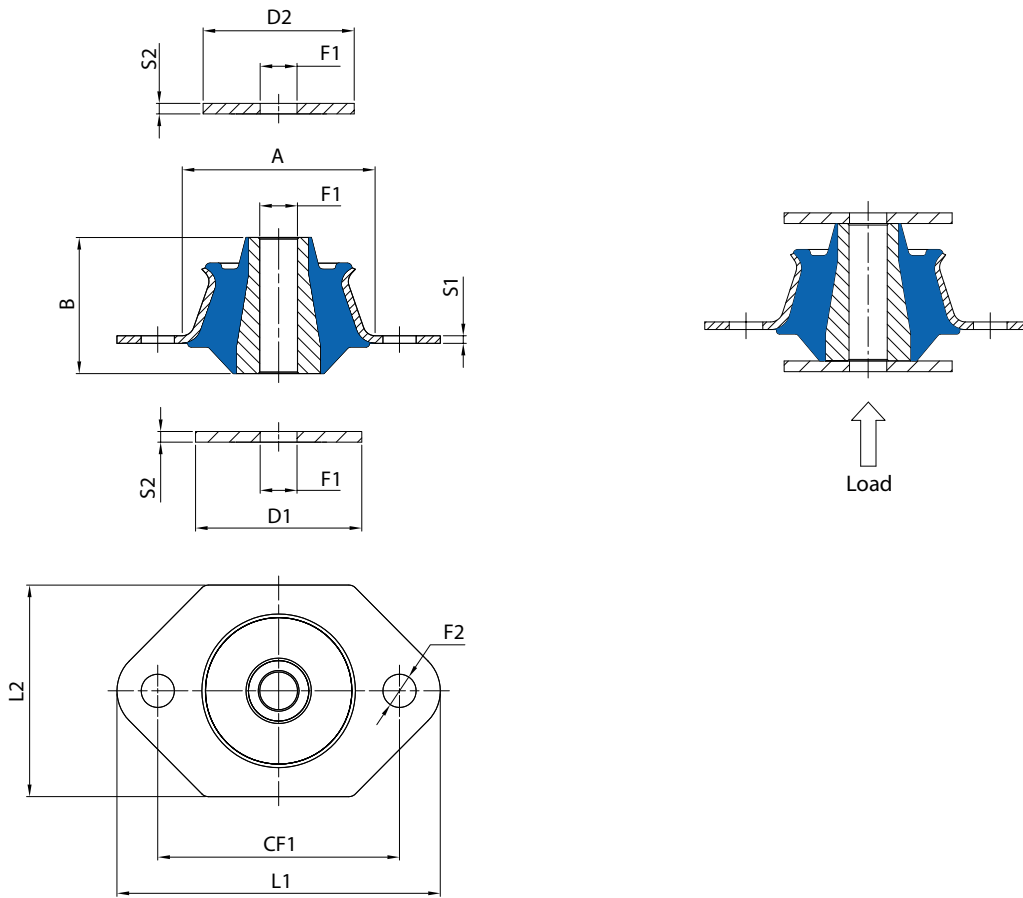
## Type CN



Item	Hardness (IRHD)	A	B	CF1	CF2	L1	L2	F1	S1	F2	D1	D2	F1	S2	Average Stiffness (daN/mm)	Max. Load (daN)	Max Deflec. (mm)
4830CN12/1W	45														9	36	
4830CN12/1M	60	48	30,2	73	-	89	54	12	2	8,7	49	34	12	2	15	60	3
4830CN12/1H	70														21	84	

The item code means the cone mount with washers; it's possible to order only the cone mount.

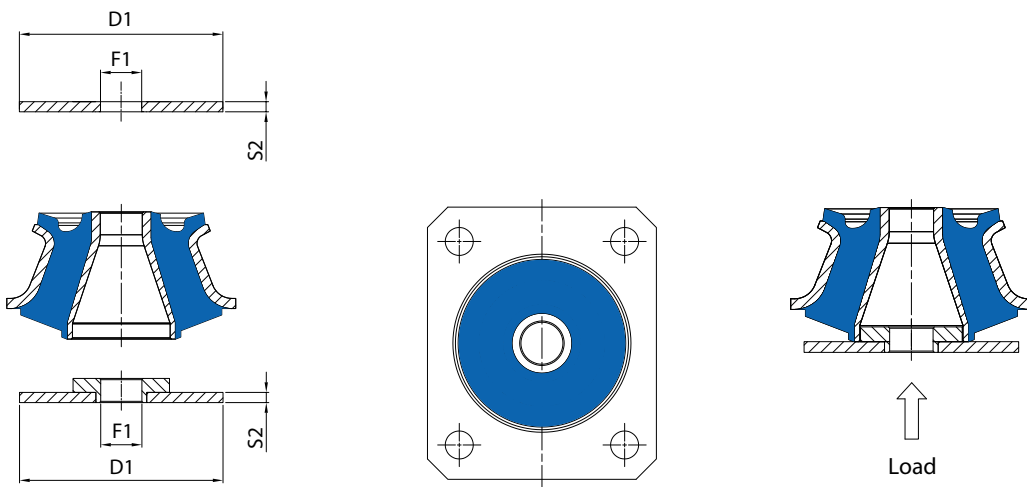
## Type CN



Item	Hardness (IRHD)	A	B	CF1	CF2	L1	L2	F1	S1	F2	Cone		Washers		Average Stiffness (daN/mm)	Max. Load (daN)	Max Deflec. (mm)
											D1	D2	F1	S2			
6051CN12W	45														20	100	
6051CN12M	60	60	45	80	-	107	68	12,1	2,5	11	55	50	12,2	3,5	34	170	5
6051CN12H	70														50	250	

The item code means the cone mount with washers; it's possible to order only the cone mount.

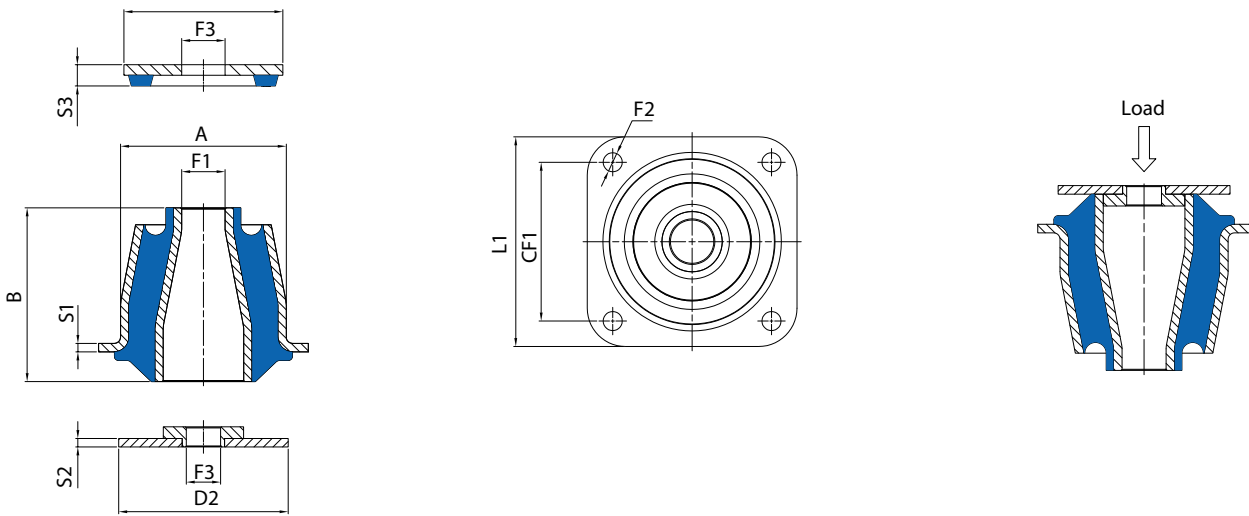
## Type CN



Item	Hardness (IRHD)	A	B	CF1	CF2	L1	L2	F1	S1	F2	D1	D2	S2	F1	Average Stiffness (daN/mm)	Max. Load (daN)	Max Deflec. (mm)
7856CN16W	45														32	160	
7856CN16M	60	78	50	80	65	107	90	16,5	4	11	80	65	4	16	60	350	5
7856CN16H	70														98	488	
7856CN20W	45														32	160	
7856CN20M	60	78	50	80	65	107	90	20	4	11	80	65	4	20	60	350	5
7856CN20H	70														98	488	

The item code means the cone mount with washers; it's possible to order only the cone mount. For the right working of the mount, the cone must be assembled with the ringed washer.

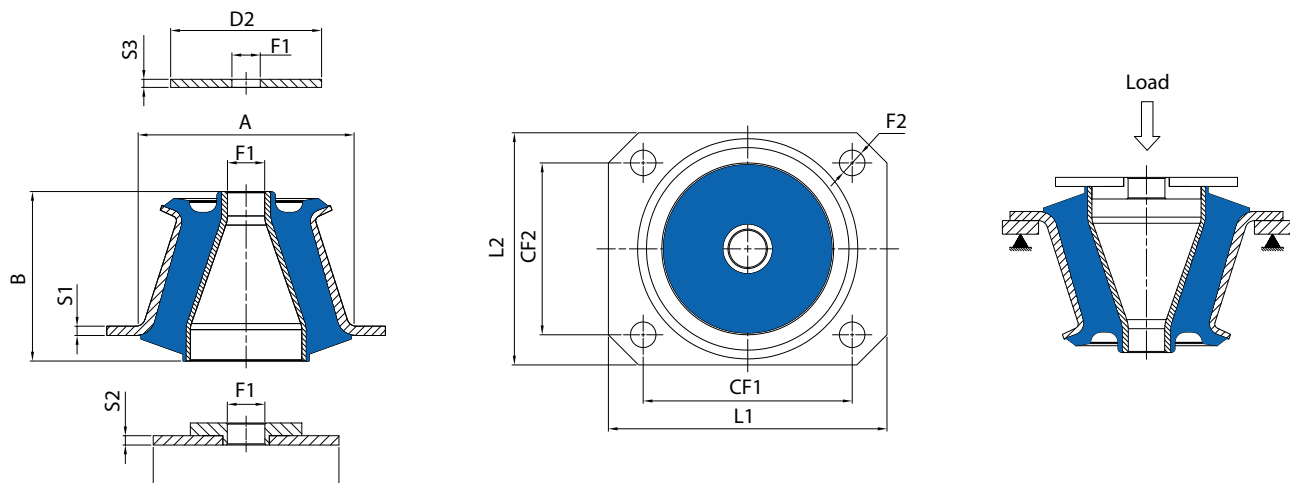
## Type CN



Item	Hardness (IRHD)	A	B	CF1	F1	F2	S1	L1	D2	S2	D3	S3	F3	Average Stiffness (daN/mm)	Max. Load (daN)	Max Deflec. (mm)
		Cone						Washers								
7882CN20W	45													42	336	
7882CN20M	60	78	82	75	20,5	9	4	99	80	4	74	10	20,5	85	680	8
7882CN20H	70													132	1056	

The item code means the cone mount with washers; it's possible to order only the cone mount. For the right working of the mount, the cone must be assembled with the ringed washer.

## Type CN

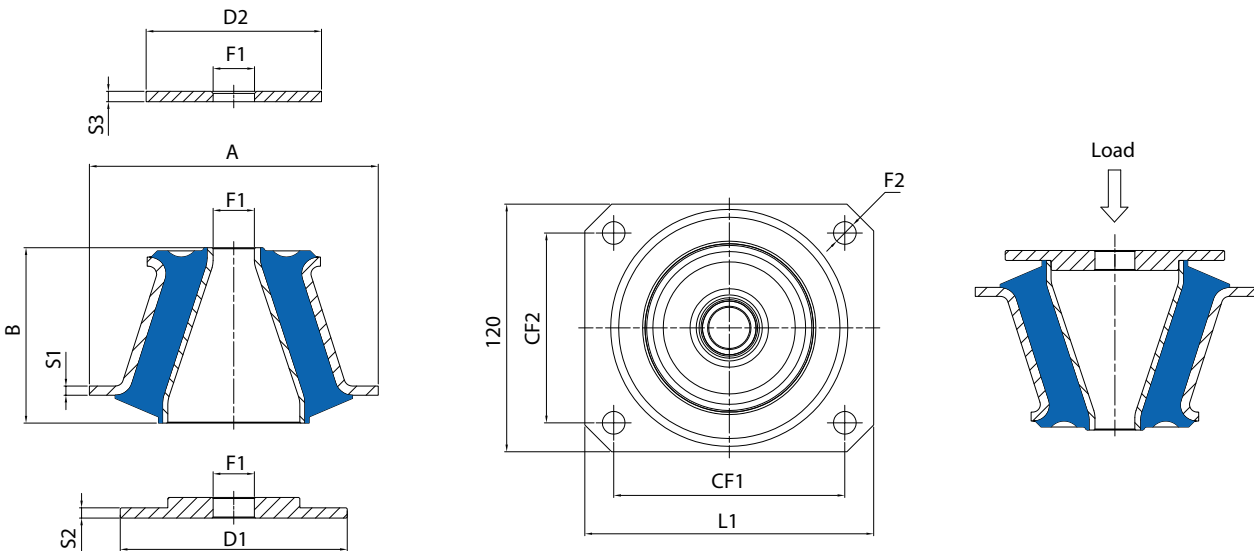




Item	Hardness (IRHD)	A	B	CF1	CF2	F1	F2	S1	L1	L2	D1	D2	S2	S3	Average Stiffness (daN/mm)	Max. Load (daN)	Max Deflec. (mm)
9381CN16W	45														75	450	
9381CN16M	60	93	73	90	74	16	11	4	120	100	85	70	5	4	140	840	6
9381CN16H	70														235	1410	

The item code means the cone mount with washers; it's possible to order only the cone mount. For the right working of the mount, the cone must be assembled with the ringed washer.

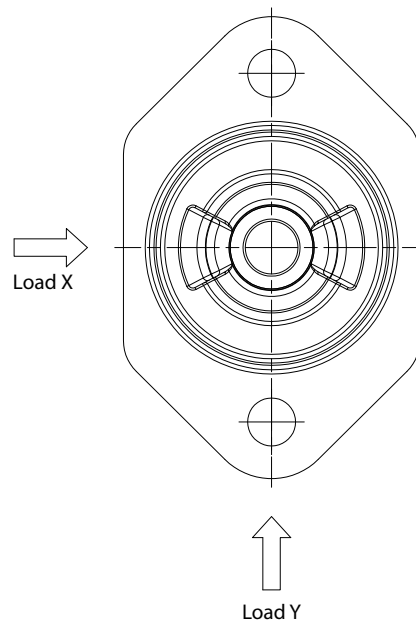
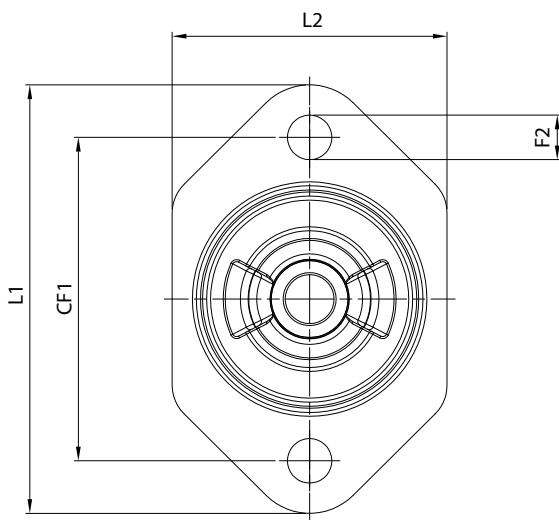
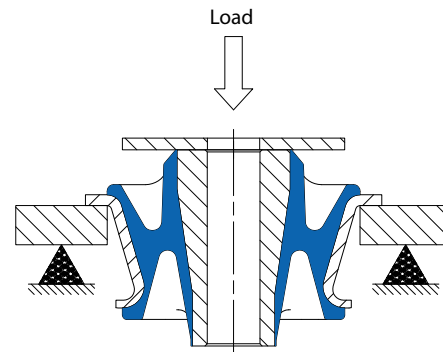
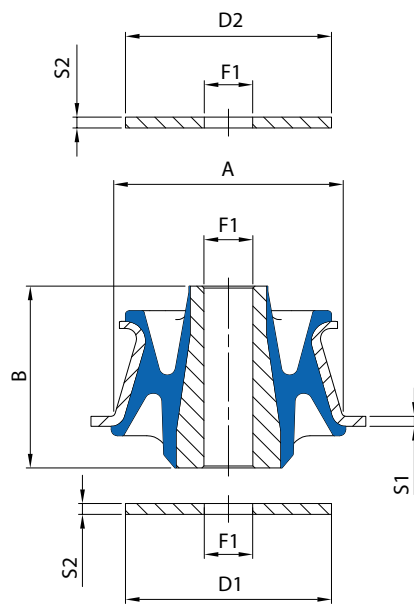
## Type CN



Item	Hardness (IRHD)	A	B	CF1	CF2	F1	F2	S1	L1	L2	D1	D2	S2	S3	Average Stiffness (daN/mm)	Max. Load (daN)	Max Deflec. (mm)
10995CN20W	45														115	460	4
10995CN20M	60	109	85	112	92	20	11	4.5	140	120	110	80	5	5	250	1125	4,5
10995CN20H	70														370	1850	5

The item code means the cone mount with washers; it's possible to order only the cone mount. For the right working of the mount, the cone must be assembled with the ringed washer.

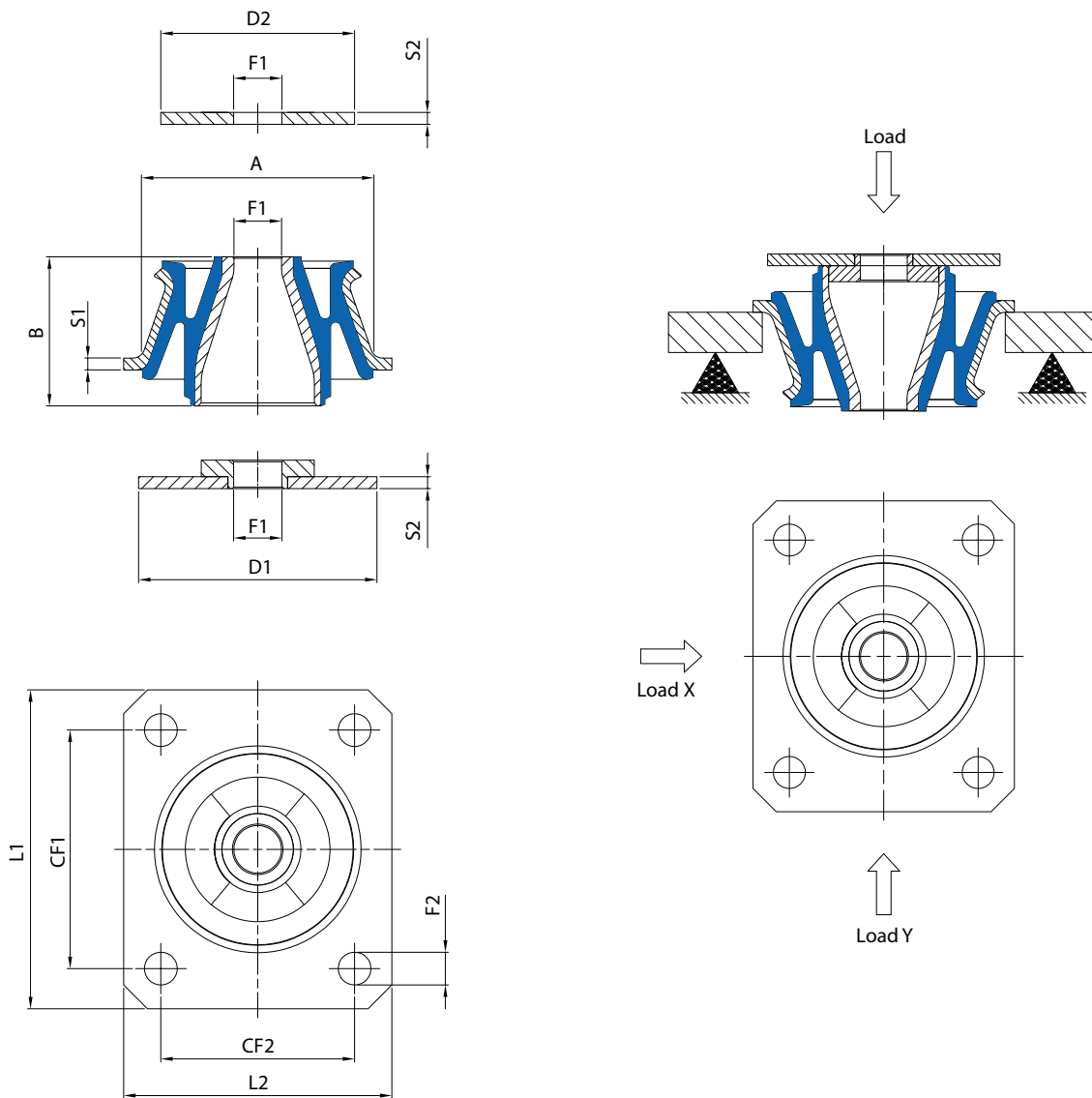
## Type CNA



Item	Hardness (IRHD)	A	B	CF1	CF2	L1	L2	F1	S1	F2	D1	D2	F1	S2	Average Stiffness Z (daN/mm)	Max. Load (daN)	Max Deflec. (mm)	Average Stiffness X (daN/mm)	Average Stiffness Y (daN/mm)
		Cone						Washers											
6051CNA12W	45														15,5	92,5		31	53
6051CNA12M	60	60	45	80	-	107	70	12,1	2,5	11	55	50	12,2	3,5	28	140	5	56	85
6051CNA12H	70														40	200		80	120

The item code means the cone mount with washers; it's possible to order only the cone mount.

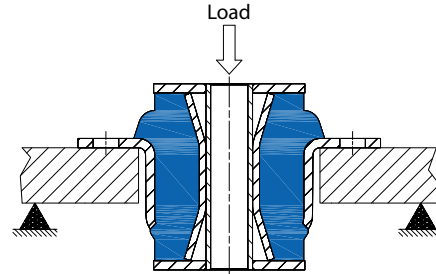
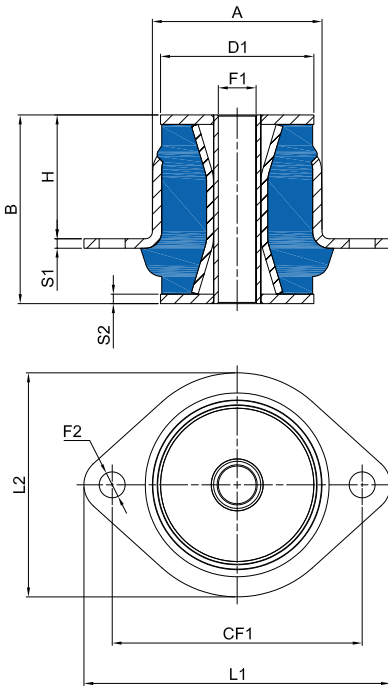
## Type CNA



Item	Hardness (IRHD)	Cone									Washers				Average Stiffness Z (daN/mm)	Max. Load (daN)	Max Deflec. (mm)	Average Stiffness X (daN/mm)	Average Stiffness Y (daN/mm)
		A	B	CF1	CF2	L1	L2	F1	S1	F2	D1	D2	F1	S2					
7856CNA16W	45														24	120		31	61
7856CNA16K	50														33	165	5	36	71
7856CNA16M	60	78	50	80	65	107	90	16,5	4	11	80	65	16	4	42	210		51	100
7856CNA16H	70														56	270		84	160

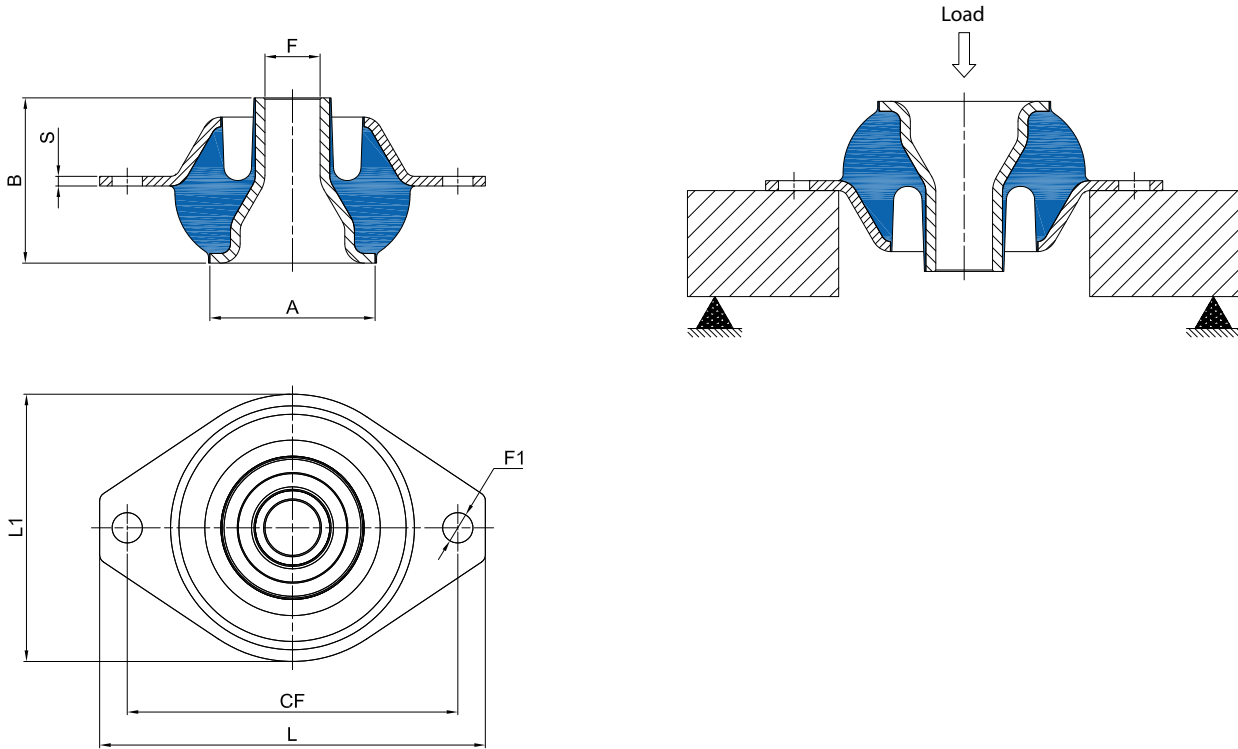
The item code means the cone mount with washers; it's possible to order only the cone mount. For the right working of the mount, the cone must be assembled with the ringed washer.

## Type FSMR



Item	Hardness (IRHD)	A	B	H	CF1	D1	F1	F2	L1	L2	S1	S2	Average Stiffness (Kg/mm)	Max. Load (daN)	Max Deflec. (mm)	
		Cone										Washers				
FSMR6070W	45												35	245		
FSMR6070M	60	60	70	43	98	55	12	11	120	80	3	4	65	455	7	
FSMR6070H	65												100	700		
FSMR7280W	45												50	300		
FSMR7280M	60	72	80	53	106	65	16	11	130	95	4	4	95	570	6	
FSMR7280H	65												170	850	5	

## Type TE



Item	Hardness (IRHD)	A	B	CF	L	L1	S	F	F1	Average Stiffness (Kg/mm)	Max. Load (daN)	Max Deflec. (mm)	
Cone													
TE-3074W	45									30	240		
TE-3074M	60	60	60	120	140	97	3.5	11	20	56	450	8	
TE-3074H	70									86	670		

# Height Adjuster Mounts

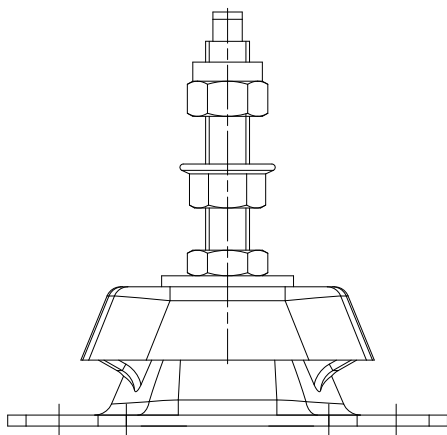
Height adjusters are available in various sizes to suit a wide range of mounts as listed in the table. The kits are supplied complete with washer and nut for fastening to the mounting, and also two nuts c/w lock washer for the engine foot fastening.

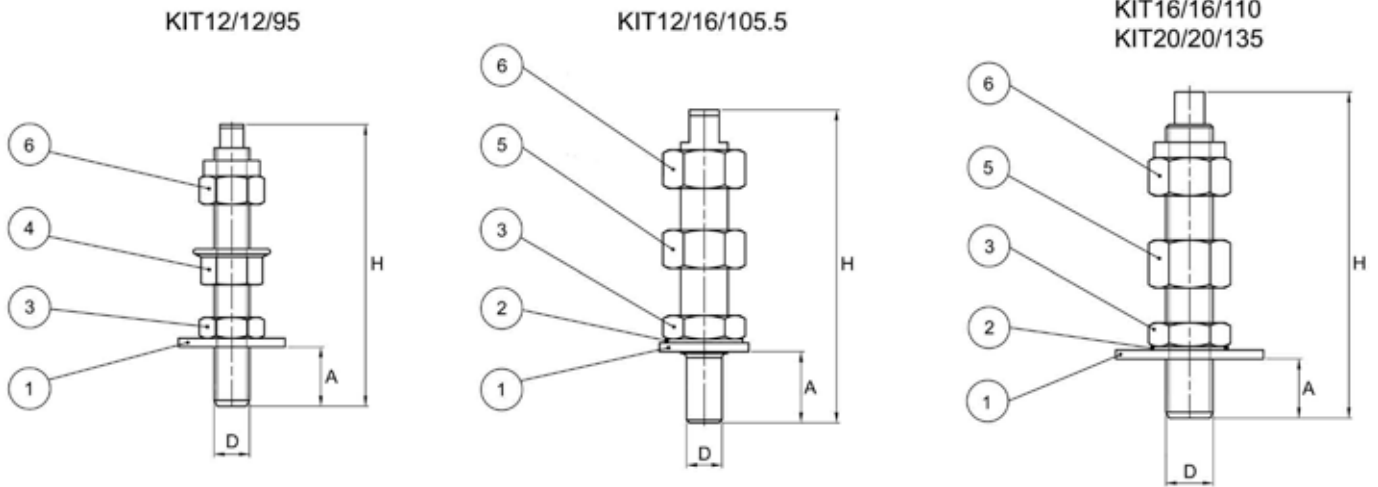
## Standard Production

- Washers: Steel DD12 (UNI EN 10111)
- Nuts: Resistance class 4 Bolts: Resistance class 4.8
- Zinc plated in accordance with CE standard CHROME VI free, white

## Options & Additional Parts

- Stainless steel version
- Screws and nuts higher class resistance version





Nr.	Item	H	D	A	1 washer	2 locking washer	3 bottom nut	4 flange nut	5 adjusting unit	6 top nut
1	<a href="#">KIT12/12/95</a>	95	M12	20	36X14X3	-	M12	M12	-	M12
2	<a href="#">KIT12/16/105.5</a>	105,5	M12	24	28X15X2,5	●	M16	-	M16	M16
3	<a href="#">KIT16/16/110</a>	110	M16	20	48X17X3	●	M16	-	M16	M16
4	<a href="#">KIT20/20/135</a>	135	M20	30	60X22X4	-	M20	-	M20	M20

## ACE Germany

The shortest way to the perfect shock absorber



### ACE Stoßdämpfer GmbH

PO Box 1510  
40740 Langenfeld

Albert-Einstein-Straße 15  
40764 Langenfeld

Germany

T +49 (0)2173 - 9226-10

F +49 (0)2173 - 9226-19



[info@ace-int.eu](mailto:info@ace-int.eu)

[www.ace-ace.de](http://www.ace-ace.de)

## Global but always near

### International ACE Sales Locations



GREAT BRITAIN  
**ACE Fabreeca UK**

Unit 404 Easter Park, Haydock Lane  
Haydock, WA11 9TH, U.K.

T +44 (0)1942 - 727 440

F +44 (0)1942 - 717 273

[www.ace-controls.co.uk](http://www.ace-controls.co.uk)



JAPAN  
**ACE Controls Japan L.L.C.**

City Center Bldg. II 2fl  
3-1-42, Chigasaki-minami, Tsuzuki-ku  
Yokohama, 224-0037, Japan

T +81 (0)45 - 945-0123

F +81 (0)45 - 945-0122

[www.acecontrols.co.jp](http://www.acecontrols.co.jp)



P.R. CHINA  
**ACE Controls (Pinghu) CO. LTD.**

No. 888 Changsheng Road  
314200 Pinghu, Zhejiang Province, P. R. China

T +86 (0)512 - 8860-6699

F +86 (0)512 - 8860-6698

[www.acecontrols.cn.com](http://www.acecontrols.cn.com)



USA  
**ACE Controls International Inc.**

23425 Industrial Park Dr., Farmington Hills  
Michigan 48335, USA

T +1 248 - 476-0213

F +1 248 - 476-2470

[www.acecontrols.com](http://www.acecontrols.com)

