

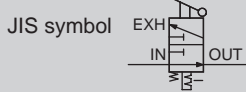


Shut-off valve standard white Series

V1000-W/V3000-W Series

One action exhaust operation. Prevent residual pressure accidents in pneumatic lines.

Port size: 1/8 to 1/2

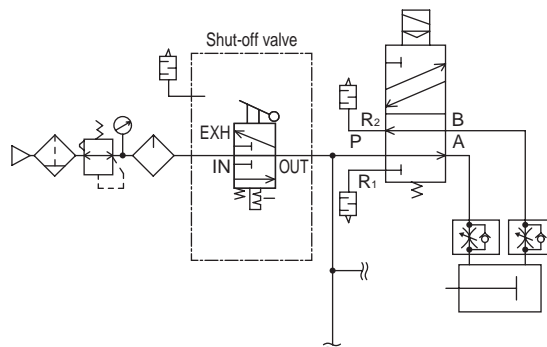


Specifications

Descriptions		V1000-W		V3000-W		
Appearance						
Descriptions		V1000-6-W	V1000-8-W	V3000-8-W	V3000-10-W	V3000-15-W
Working fluid		Compressed air				
Max. working pressure MPa		1.0				
Withstanding pressure MPa		1.5				
Fluid temperature °C		5 to 60				
Operation lever switchover angle		90°				
Operating force	Pushing force N	18		80		
	Torque N-m	0.5		2		
Valve section leakage cm ³ /min. (ANR)		10				
External leakage cm ³ /min. (ANR)		10				
Port size	IN/OUT	1/8	1/4	1/4	3/8	1/2
	(Rc, NPT, G)	1/8			3/8	
Product weight kg		0.17			0.25	
Effective sectional area (mm ²)	IN/OUT	15	18	40	70	85
	OUT/EXH	5		40	50	50

Application

Explanation: For safety, release compressed air in the pneumatic circuit from the lockout valve before repairing or adjusting the solenoid valve or air cylinder, etc.



How to order

- F.R.L.1000 Series



- F.R.L.3000, 4000 Series



A Model no.

B Port size

C Port thread type

D Option

E Display unit

F Attachment

Symbol	Descriptions	A Model no.	
		V1000	V3000
B Port size			
6	Rc1/8	●	
8	Rc1/4	●	●
10	Rc3/8		●
15	Rc1/2		●
C Port thread type			
Blank	Rc thread	●	●
N	NPT thread	●	●
G	G thread	●	●
D Option			
Blank	Standard flow (left → right)	●	●
X1	IN/OUT reverse flow (right → left)	●	●
E Display unit			
Blank	MPa display, Rc thread	●	●
J1	MPa display, NPT, G thread	●	●
F Attachment (attached) Note 1, Note 2			
Blank	Without attachment	●	●
A6*W	Rc1/8 piping adaptor set	●	
A8*W	Rc1/4 piping adaptor set	●	●
A10*W	Rc3/8 piping adaptor set	●	●
A15*W	Rc1/2 piping adaptor set		●
A20*W	Rc3/4 piping adaptor set		●
BW	C type bracket	●	●
S	Silencer	●	●
*Adaptor screw type			
Blank	Rc thread	●	●
N	NPT thread	●	●
G	G thread	●	●

⚠ Note on model no. selection

Note 1: The C-type bracket and piping adaptor set attachments cannot be used at the same time.

Note 2: The joiner set is enclosed with the piping adaptor set.

Refrigerating type dryer
Desiccant type dryer
High polymer membrane type dryer
Air filter
Auto. drain / others
F.R.L. (Module unit)
F.R.L. (Separate)
Compact F.R.
Precise regulator
F.R.L. (Related products)
Clean F.R.
Electro pneumatic regulator
Air booster
Speed control valve
Silencer
Check valve / others
Joint / tube
Vacuum filter
Vacuum regulator
Suction plate
Magnetic spring buffer
Mechanical pressure SW
Electronic pressure SW
Contact / close contact cont. SW
Air sensor
Pressure SW for coolant
Small flow sensor
Small flow controller
Flow sensor for air
Flow sensor for water
Total air system
Total air system (Gamma)
Ending

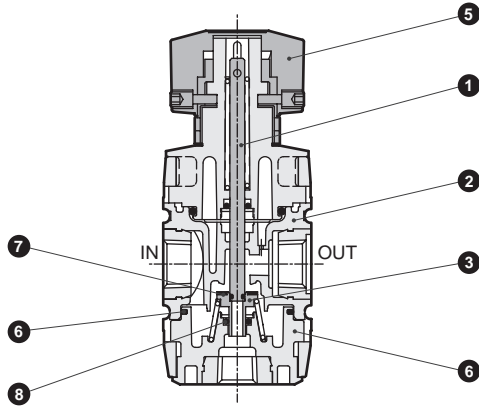
Standard series
F.R.L. unit

⚠ Select the reverse regulator (R*100-W) or reverse filter regulator (W*100-W) when installing the V*000-W onto the primary side of the regulator or filter regulator.

V*000-W Series

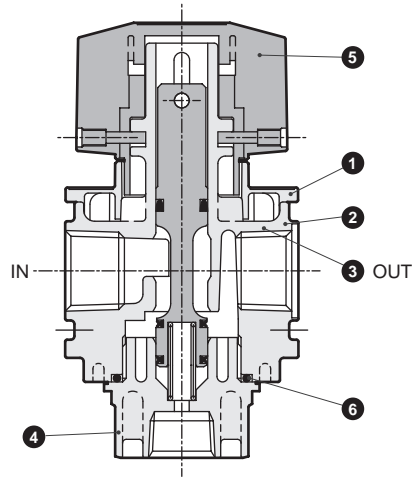
Internal structure and parts list

● V1000-W



No.	Parts name	Material
1	Spool	Steel
2	Body assembly	Polyamide resin, steel
3	Valve element	Brass, nitrile rubber
4	Bottom plug	Polyamide resin, steel
5	Knob	Polyacetal resin
6	Packing seal	Nitrile rubber
7	O-ring	Nitrile rubber
8	O-ring	Nitrile rubber

● V3000-W



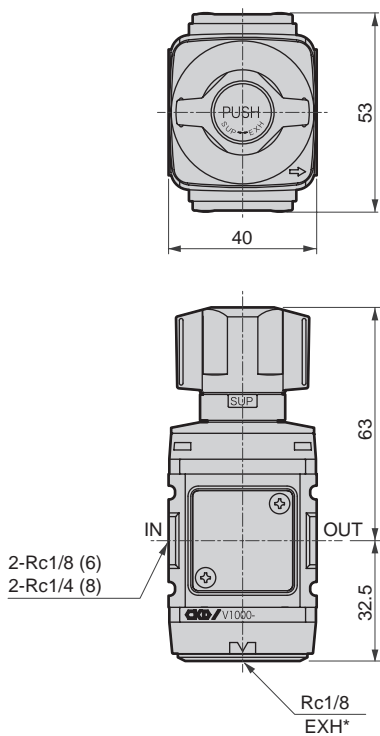
No.	Parts name	Material
1	Plate cover	ABS resin
2	Body	Aluminum alloy die-casting
3	Spool assembly	Aluminum alloy urethane rubber resin
4	Bottom plug	PBT resin Note 1
5	Knob	Polyacetal resin
6	O-ring	Nitrile rubber

Note 1: The metal bottom plug is used as a custom-order part.

Dimensions

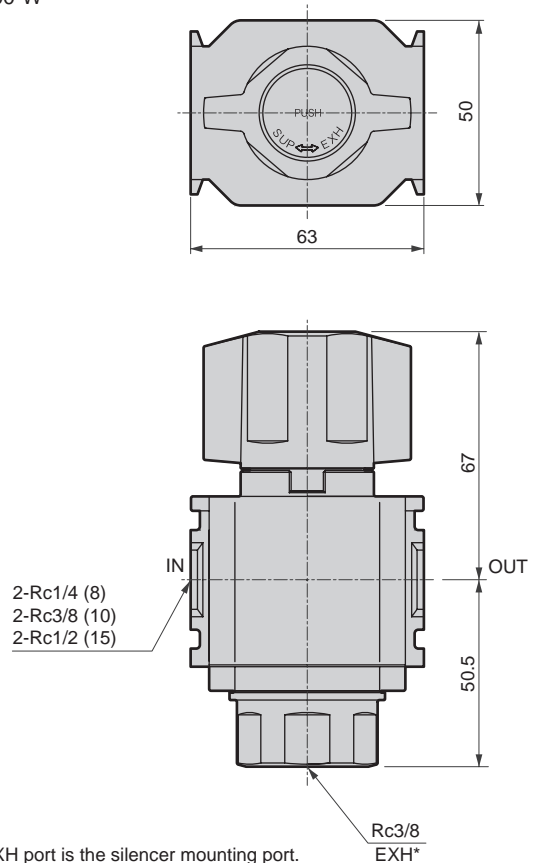


● V1000-W



* The EXH port is the silencer mounting port.

● V3000-W



* The EXH port is the silencer mounting port.

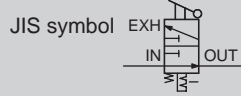


Lockout valve (OSHA compliant) standard white series

V3010-W/V6010-W Series

Prevent residual pressure accidents in pneumatic lines.

Port size: 1/4 to 1



Specifications

Descriptions		V3010-8-W	V3010-10-W	V3010-15-W	V6010-20-W	V6010-25-W
Working fluid		Compressed air				
Max. working pressure MPa		1.0				
Withstanding pressure MPa		1.5				
Fluid temperature °C		5 to 60				
Operation lever switchover angle		90°				
Operating force	Pushing force N	80 or less				
	Torque N·m	2.5 or less				
Valve seat leakage cm ³ /min. (ANR)		10 or less				
External leakage cm ³ /min. (ANR)		10 or less				
Port size	IN-OUT	1/4	3/8	1/2	Rc 3/4	Rc1
	(Rc, NPT, G) EXH				Rc1/2	
Product weight kg		0.3			0.8	
Effective sectional area (mm ²)	IN→OUT	40	70	85	145	150
	OUT→EXH	40	50	50	105	110

OSHA (Occupational Safety and Health Administration)

US Safety Standards related to worker safety are set.

<Code of Lockout/Tagout>

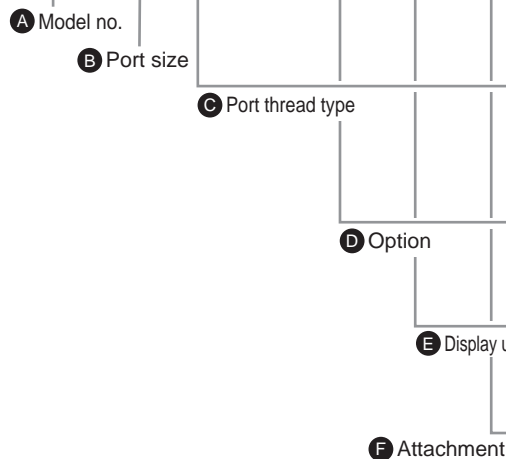
When serving or maintaining machinery, the air source shall be closed with a shut-off valve (lockout valve), and residual pressure shall be discharged. If a third party inadvertently operates the valve during such operation and compressed air is applied, the cylinder, etc., could move suddenly and injure personnel. This standard states that, "All valves used for such purposes shall have a key or a structure which can be locked with a key."

How to order

- SELEX F.R.L.2000, 3000, 4000 Series



- SELEX F.R.L.6000, 8000 Series



⚠ Note on model no. selection

Note 1: The C-type bracket and piping adaptor set attachments cannot be used at the same time.

Note 2: The joiner set is enclosed with the piping adaptor set.

- ⚠ Select the reverse regulator (R*100-W) or reverse filter regulator (W*100-W) when installing the V*010-W onto the primary side of the regulator or filter regulator.

Secondary battery compatible specifications

(catalog No. CC-947)

- Structured for use in secondary battery manufacturing processes

V3010 - - P4*

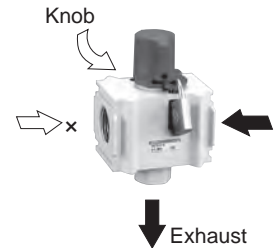
How to use

- Regular use



- During maintenance work

A lock is set where residual pressure is released.



A Model no.

V	V
3	6
0	0
1	1
0	0

Symbol	Descriptions		
B Port size			
8	1/4	●	
10	3/8	●	
15	1/2	●	
20	3/4		●
25	1		●

C Port thread type			
Blank	Rc thread	●	●
N	NPT thread	●	●
G	G thread	●	●

D Option			
Blank	None	●	●
X1	IN/OUT reverse flow (right → left)	●	●

E Display unit			
Blank	MPa display, Rc thread	●	●
J1	MPa display, NPT, G thread	●	●

F Attachment (attached) Note 1, Note 2			
Blank	Without attachment	●	●
A8W	Rc1/4 piping adaptor set	●	
A10W	Rc3/8 piping adaptor set	●	
A15W	Rc1/2 piping adaptor set	●	
A20W	Rc3/4 piping adaptor set	●	●
A25W	Rc1 piping adaptor set	●	●
A32W	Rc1 1/4 piping adaptor set		●
BW	C type bracket	●	●
S	Silencer	●	●

* Adaptor screw type			
Blank	Rc thread	●	●
N	NPT thread	●	●
G	G thread	●	●

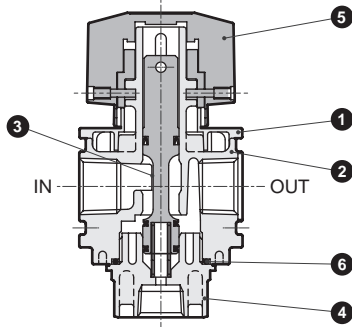
Refrigerating type dryer
Desiccant type dryer
High polymer membrane type dryer
Air filter
Auto. drain / others
F.R.L. (Module unit)
F.R.L. (Separate)
Compact F.R.
Precise regulator
F.R.L. (Related products)
Clean F.R.
Electro pneumatic regulator
Air booster
Speed control valve
Silencer
Check valve / others
Joint / tube
Vacuum filter
Vacuum regulator
Suction plate
Magnetic spring buffer
Mechanical pressure SW
Electronic pressure SW
Contact / close contact cont. SW
Air sensor
Pressure SW for coolant
Small flow sensor
Small flow controller
Flow sensor for air
Flow sensor for water
Total air system
Total air system (Gamma)
Ending

Standard series
F.R.L. unit

V*010-W Series

Internal structure and parts list

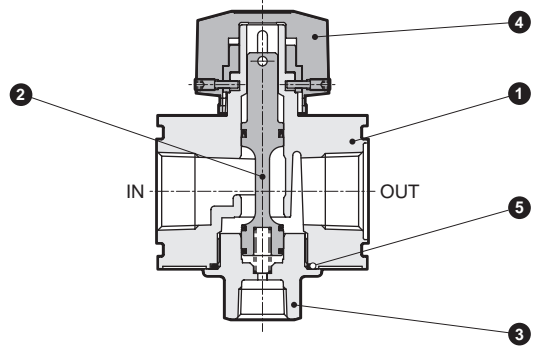
● V3010-W



No.	Parts name	Material
1	Plate cover	ABS resin (Note 2)
2	Body	Aluminum alloy die-casting
3	Spool assembly	Aluminum alloy urethane rubber resin
4	Bottom plug	PBT resin (Note 1) (Note 2)
5	Knob	Aluminum alloy die-casting
6	O-ring	Nitrile rubber

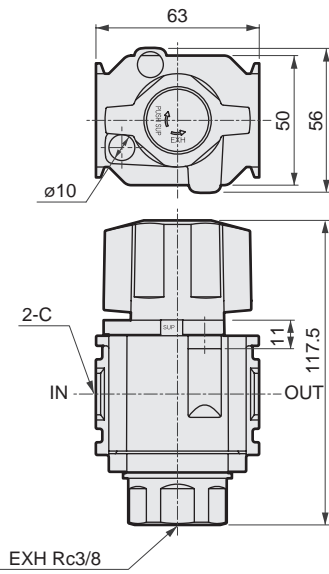
Note 1: The metal bottom plug is used as a custom-order part.
 Note 2: Flame resistance resin equivalent to UL94 Standard V-O

● V6010-W



No.	Parts name	Material
1	Body	Aluminum alloy die-casting
2	Spool assembly	Aluminum, hydrogen nitrile rubber
3	Bottom plug	Aluminum alloy die-casting
4	Knob	Aluminum alloy die-casting
5	O-ring	Nitrile rubber

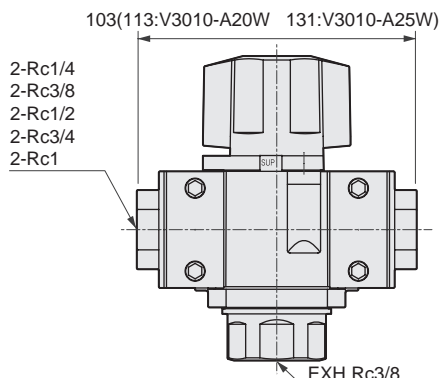
Dimensions (V3010-W)



* The EXH port is the silencer mounting port.

Descriptions	C
V3010-8-W	Rc1/4
V3010-10-W	Rc3/8
V3010-15-W	Rc1/2

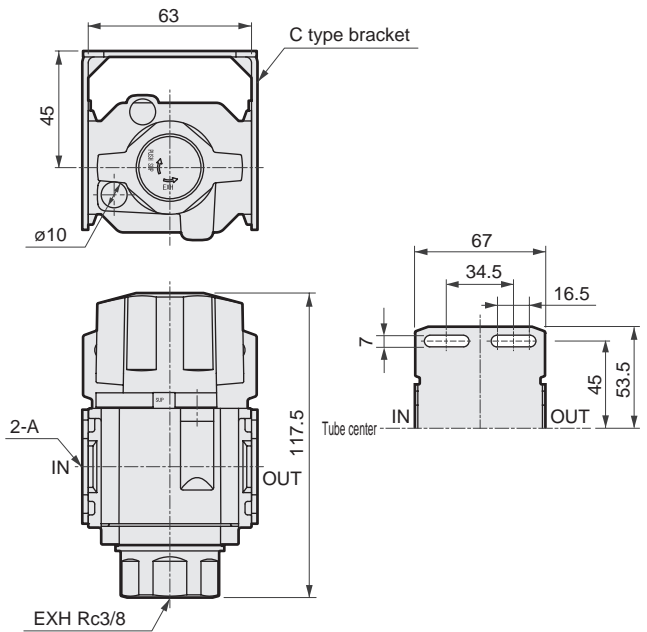
● Adaptor attachment



The piping adaptor set is attached at shipment.

● C type bracket (-BW)

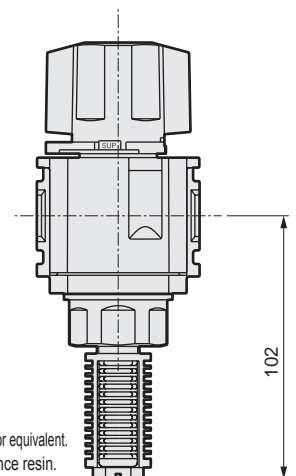
Part model no.: B320



The C type bracket is attached at shipment.
 C type bracket and piping adaptor set can not be used together.

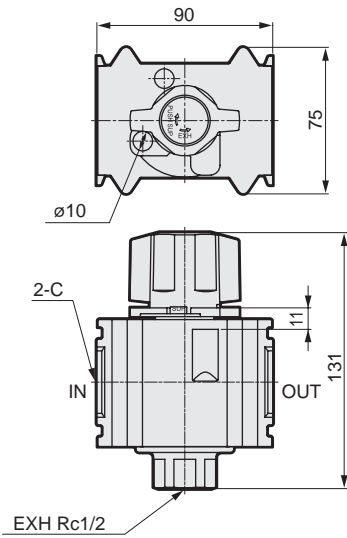
● Silencer (-S)

Part model no.: SLW-10A



The silencer is attached at shipment.
 The silencer is made of flame resistance resin UL94 Standard V-O or equivalent.
 Note that the element is not manufactured of flame resistance resin.

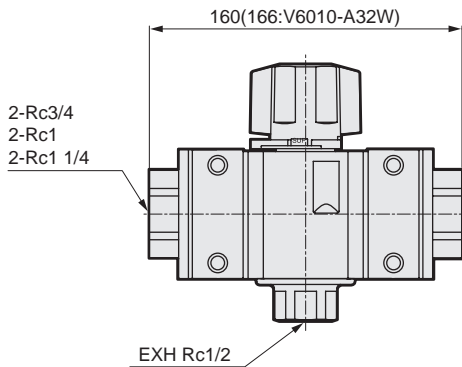
Dimensions (V6010-W)



* The EXH port is the silencer mounting port.

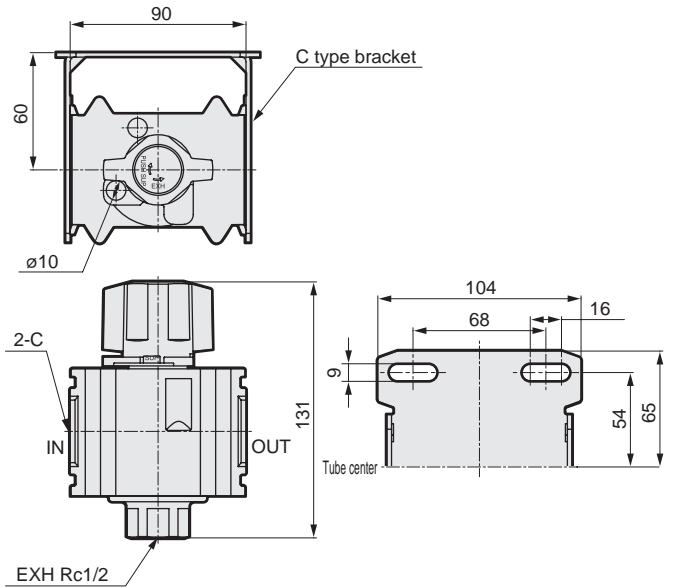
Descriptions	C
V6010-20-W	Rc3/4
V6010-25-W	Rc1

● Adaptor attachment



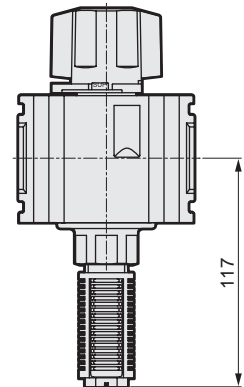
The piping adaptor set is enclosed with the shipment.

● C type bracket (-BW) Part model no.: B620



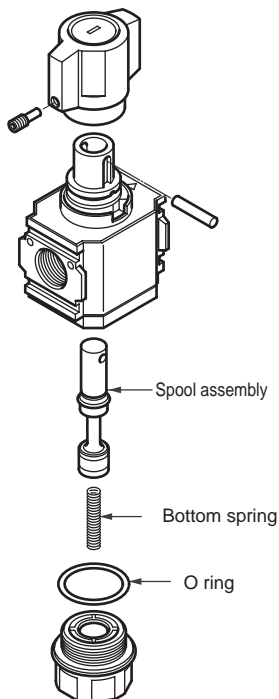
The C type bracket is attached at shipment.
C type bracket and piping adaptor set can not be used together.

● Silencer (-S) Part model no.: SLW-15A



The silencer is attached at shipment.
The silencer is made of flame resistance resin UL94 Standard V-O or equivalent.
Note that the element is not manufactured of flame resistance resin.

Shut-off valve (V3000-W, V3010-W) optional parts drawing



Spool assembly

(Sets of spool assembly, bottom spring)

Model	Spool assembly model no.
V3000, V3010	V3000-SPOOL

Refrigerating type dryer
Desiccant type dryer
High polymer membrane type dryer
Air filter
Auto. drain / others
F.R.L. (Module unit)
F.R.L. (Separate)
Compact F.R.
Precise regulator
F.R.L. (Related products)
Clean F.R.
Electro pneumatic regulator
Air booster
Speed control valve
Silencer
Check valve / others
Joint / tube
Vacuum filter
Vacuum regulator
Suction plate
Magnetic spring buffer
Mechanical pressure SW
Electronic pressure SW
Contact / close contact cont. SW
Air sensor
Pressure SW for coolant
Small flow sensor
Small flow controller
Flow sensor for air
Flow sensor for water
Total air system
Total air system (Gamma)
Ending

Standard series
F.R.L. unit