

Gripper

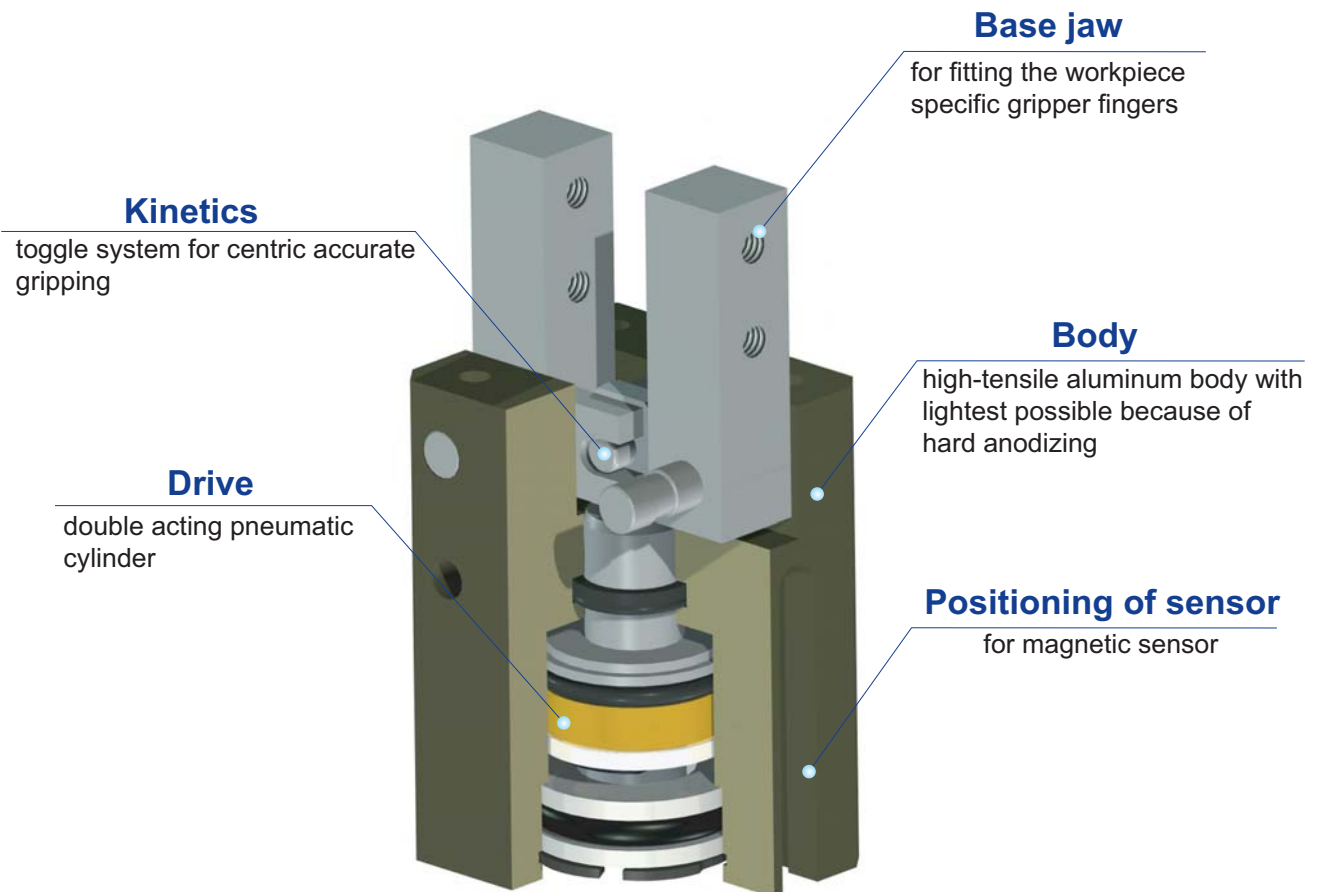
AF24-12N, 16N, 20, 30, 40

Character

- Angular type by link lever driving unit
- Mounting possible from 3 sides by square type body
- Magnetic sensor is available for open-close sensing

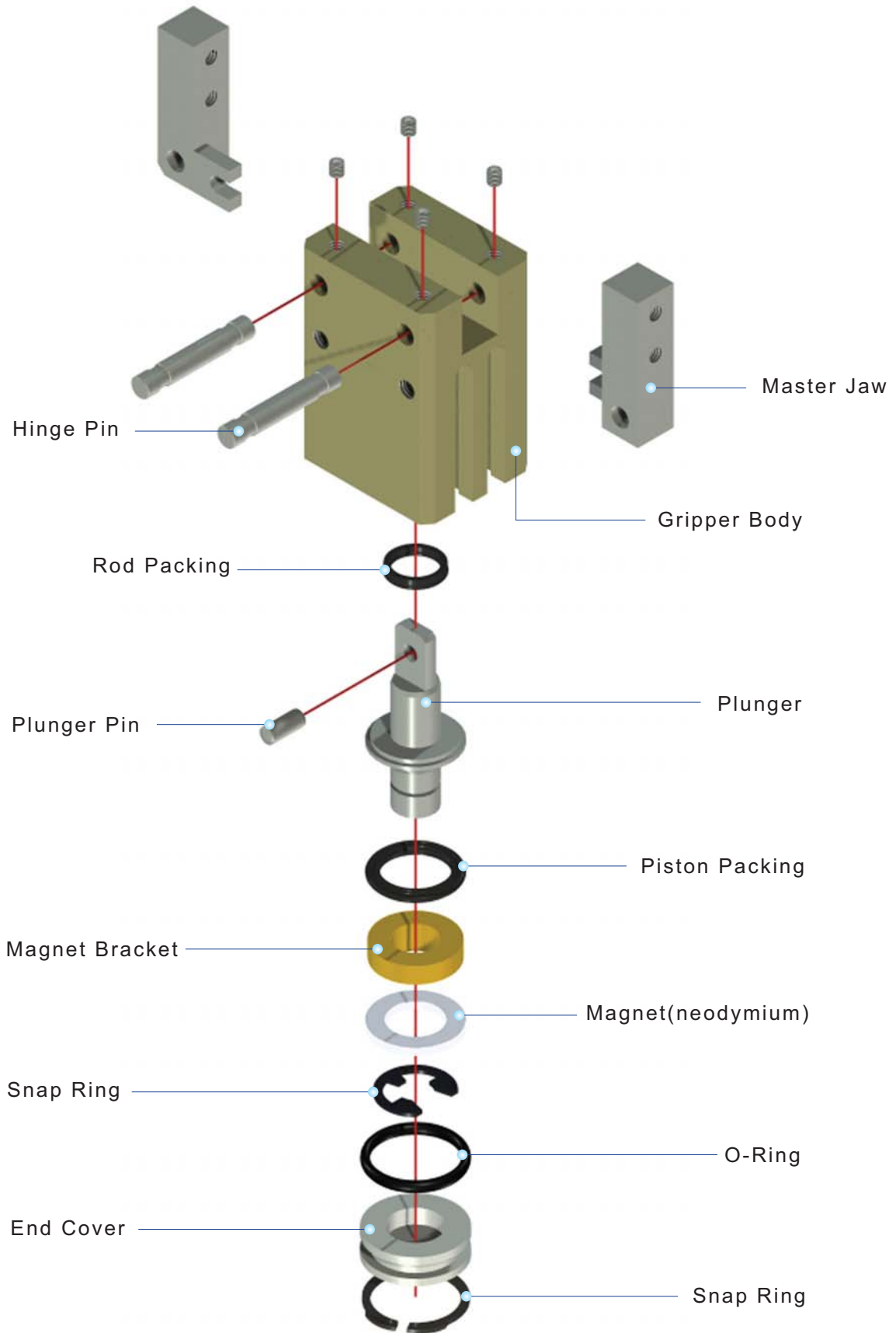


Link lever type



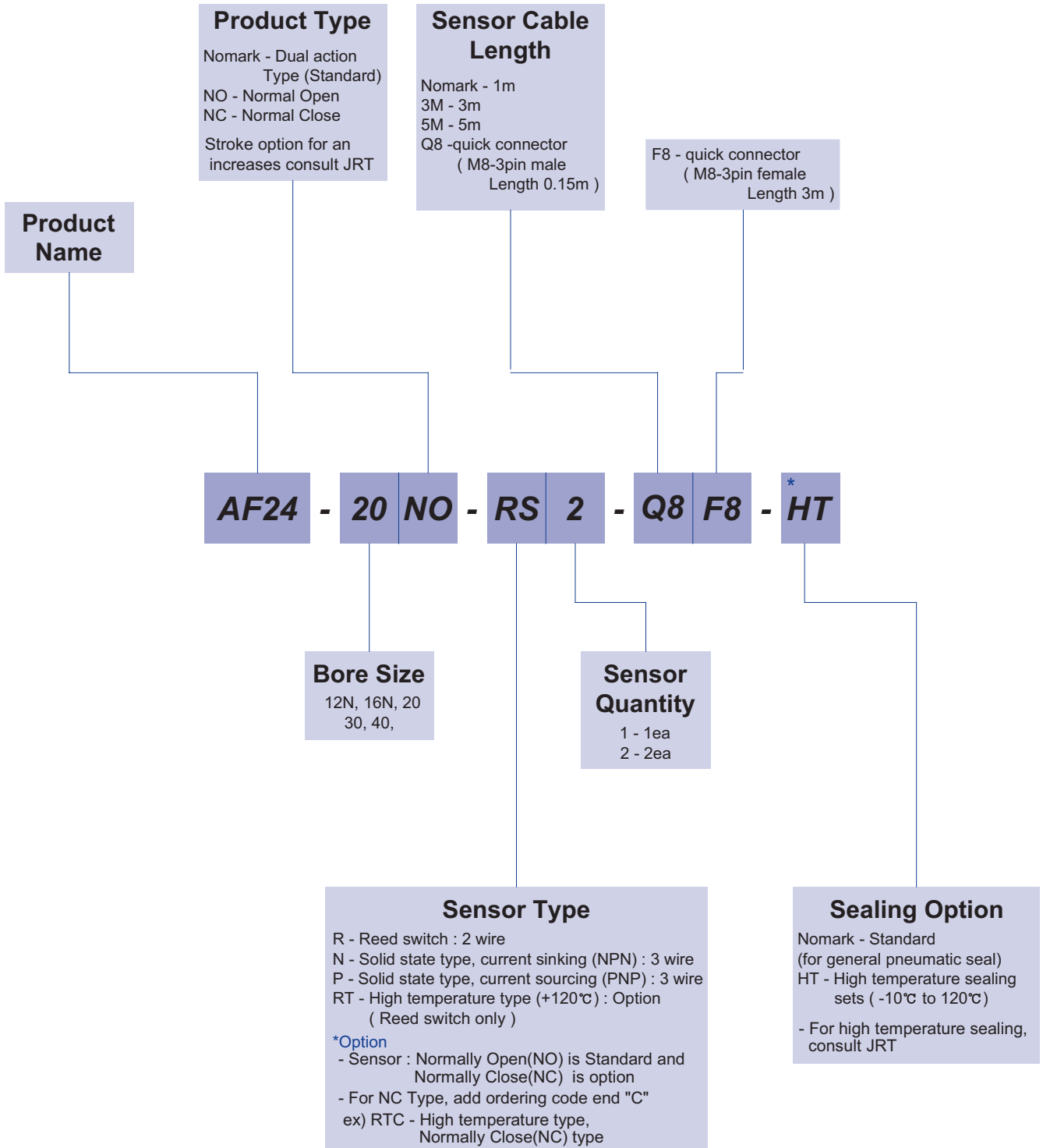
AF24

Exploded view



AF24

Ordering Code



The delivery of * mark option is longer than a standard, So inquire of JRT

AF24

Specification

P=Air Pressure[bar] , L=Exertion length[mm]

| Products Name | AF24-12N | AF24-16N | AF24-20 | AF24-30 | AF24-40 | Unit |
|---------------------------|-------------|-------------|-------------|-------------|-------------|-----------------|
| Working angle | -5 to 15 | -5 to 15 | -5 to 20 | -5 to 20 | -5 to 25 | degree |
| Weight | 0.05 | 0.06 | 0.02 | 0.41 | 0.76 | kg |
| Max. length of attach | 45 | 60 | 70- | 85 | 120 | mm |
| Fitting size | M5 | M5 | M5 | PF(G) 1/8 | PF(G) 1/8 | |
| Gripping force:Open | 9.81P/L | 19.62P/L | 36.3P/L | 110.85P/L | 234.46P/L | N |
| Gripping force:Close | 7.36P/L | 14.72P/L | 27.47P/L | 86.33P/L | 191.30P/L | N |
| Air consumption per cycle | 0.3 | 0.7 | 1.6 | 4.7 | 11.0 | cm ³ |
| Closing / Opening time | 0.01 / 0.01 | 0.01 / 0.01 | 0.01 / 0.01 | 0.01 / 0.01 | 0.01 / 0.01 | sec |
| * Repeat accuracy | 0.02 | 0.02 | 0.02 | 0.02 | 0.02 | mm |
| Max.cycle per minute | 60 | 60 | 60 | 45 | 40 | |
| Operating pressure | 3~7 | | | | | bar |
| Ambient temperature | -5 to 60 | | | | | °C |
| Lubrication | Needless | | | | | |

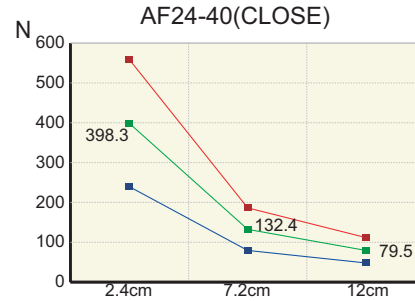
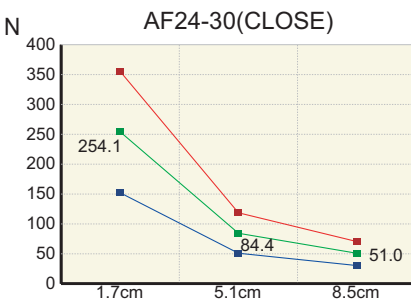
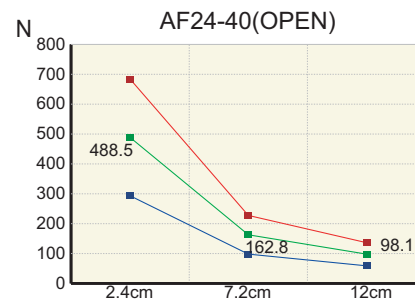
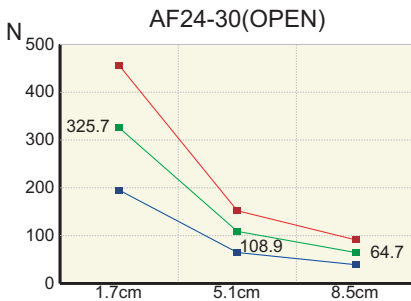
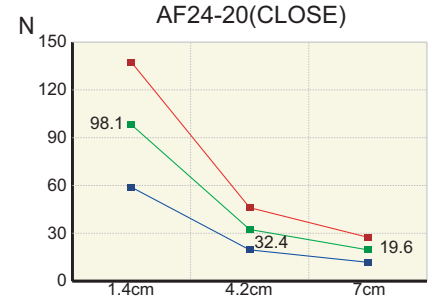
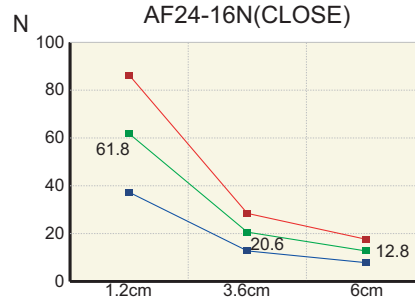
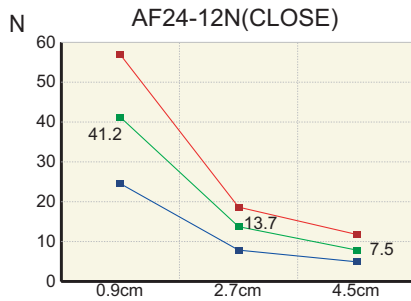
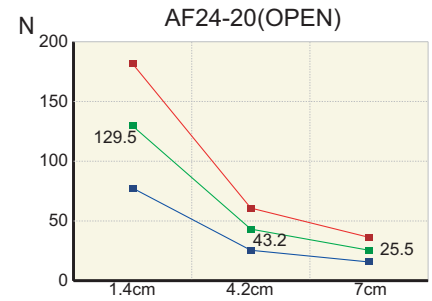
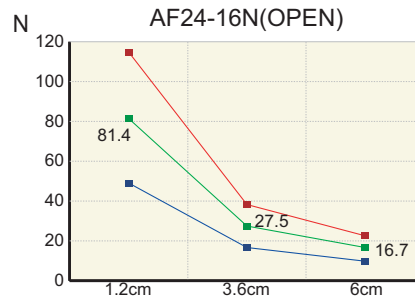
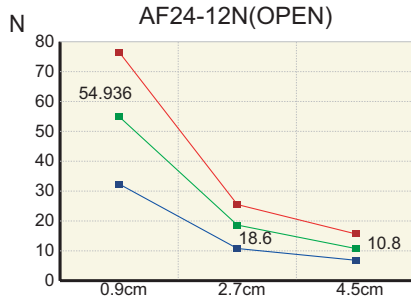
* After 100 consecutive strokes to end positions

Note

AF24

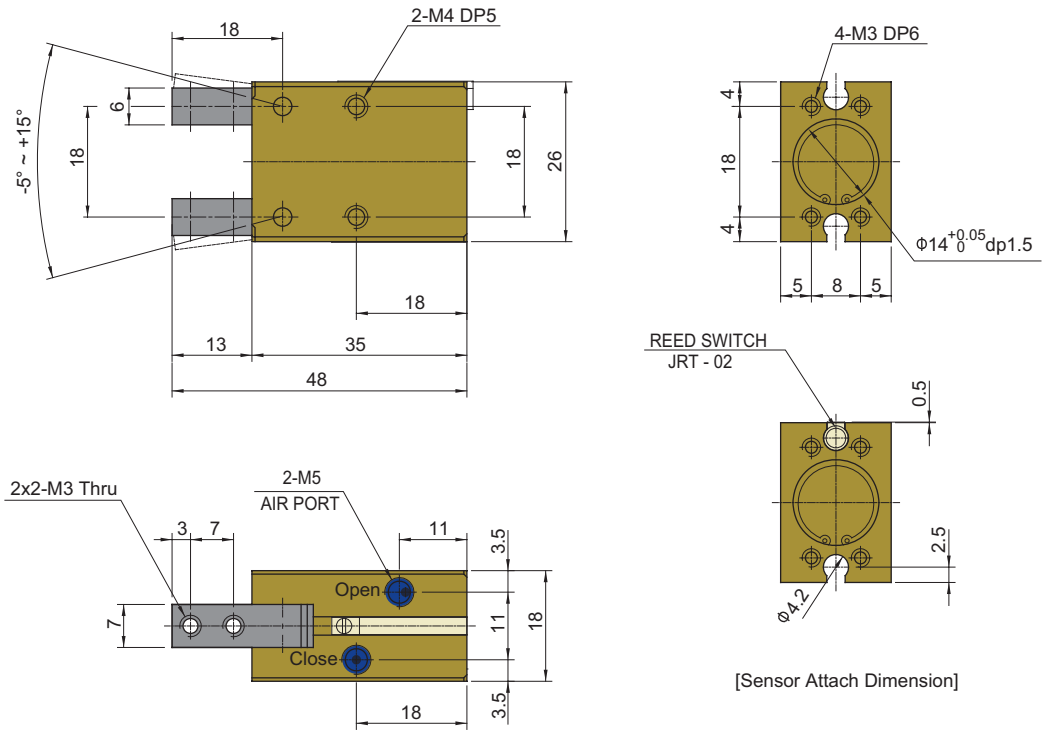
Gripping Force per exertion length

Legend : ■ 7[bar] ■ 5[bar] ■ 3[bar]

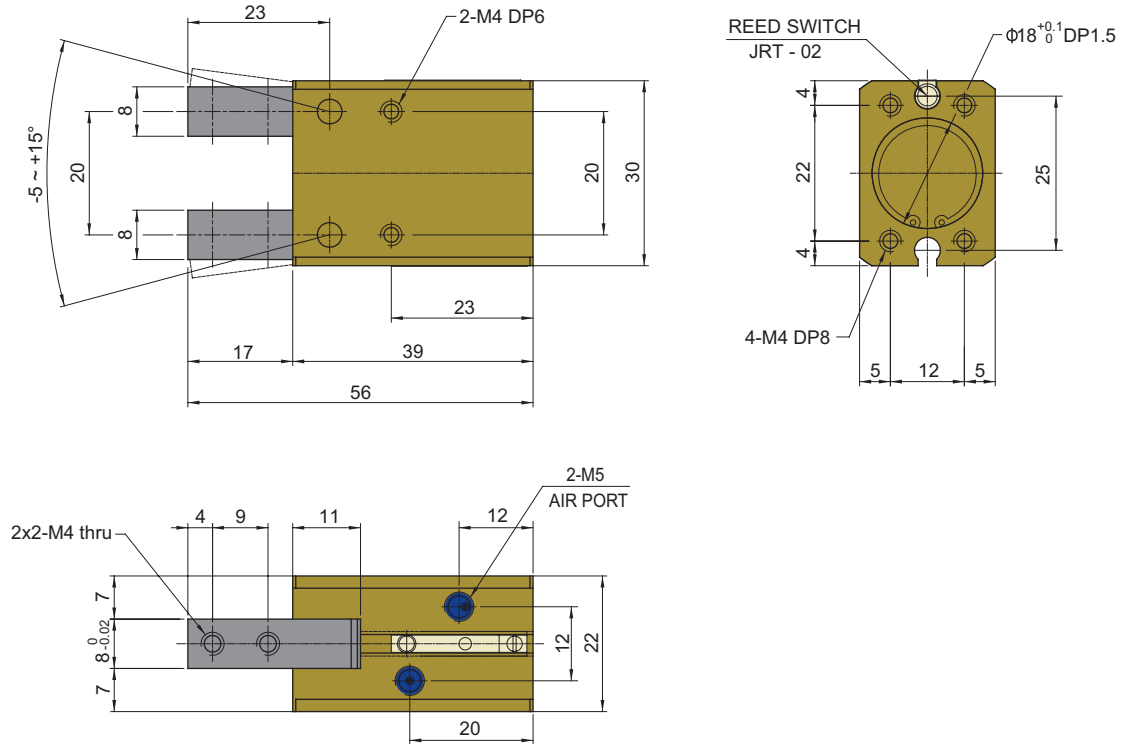


AF24

AF24-12N

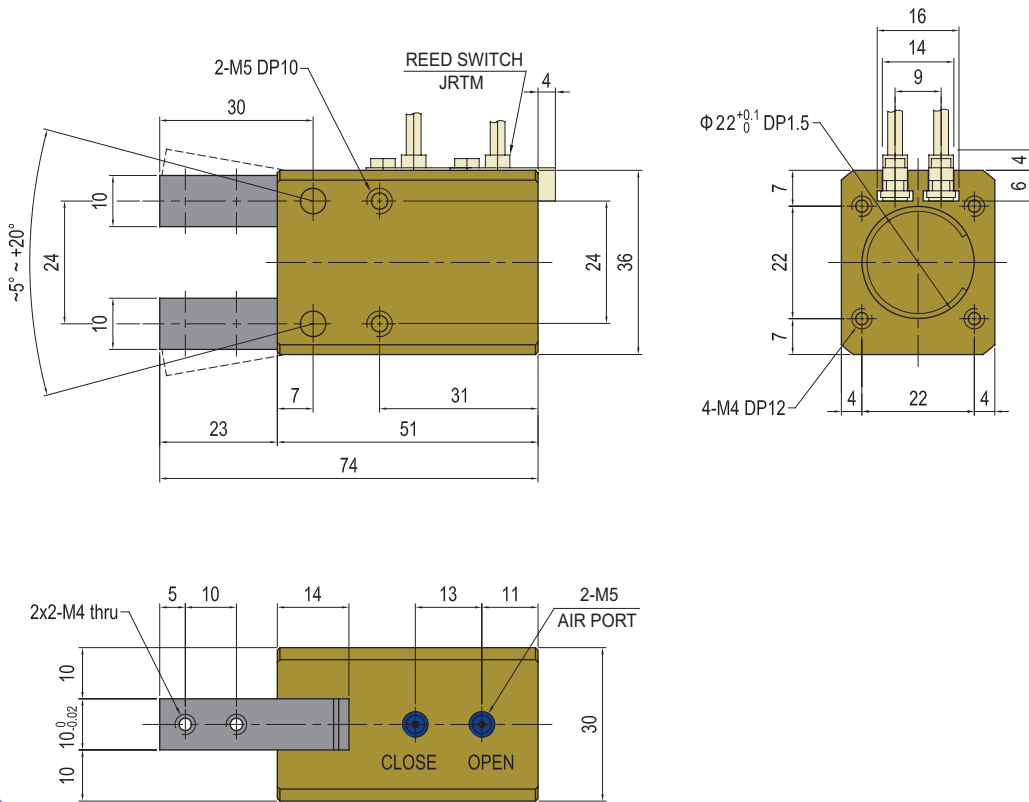


AF24-16N

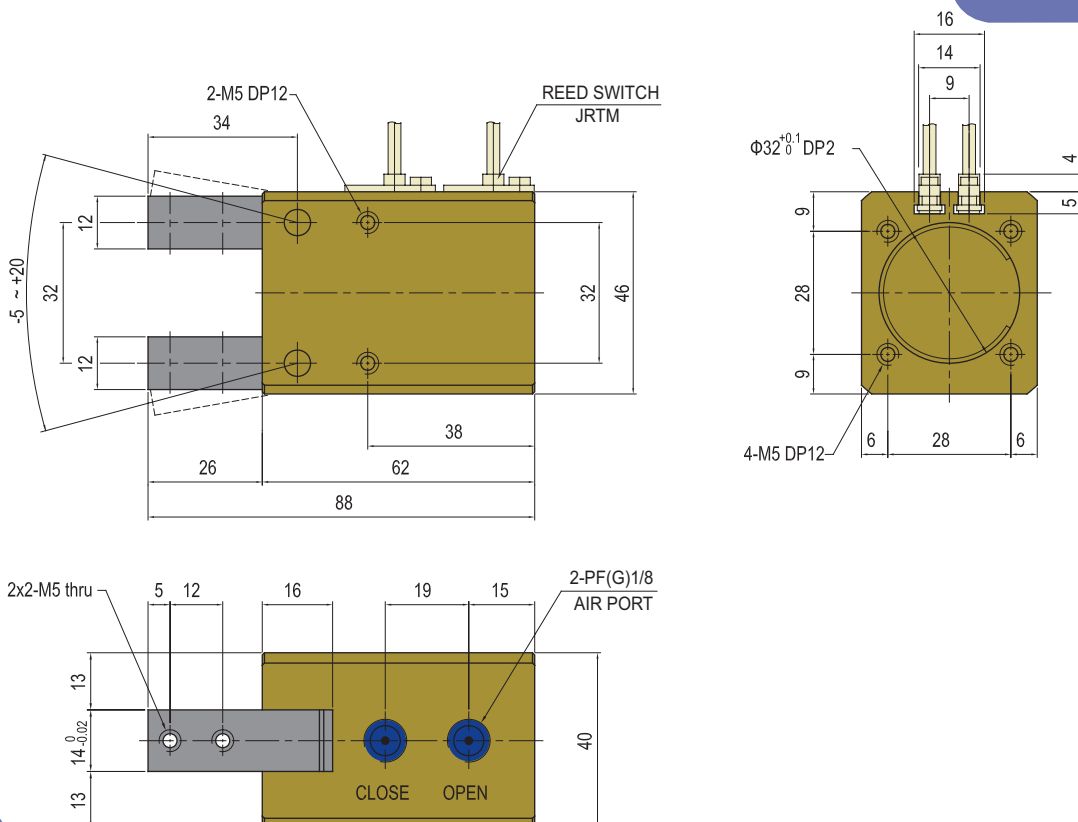


AF24

AF24-20

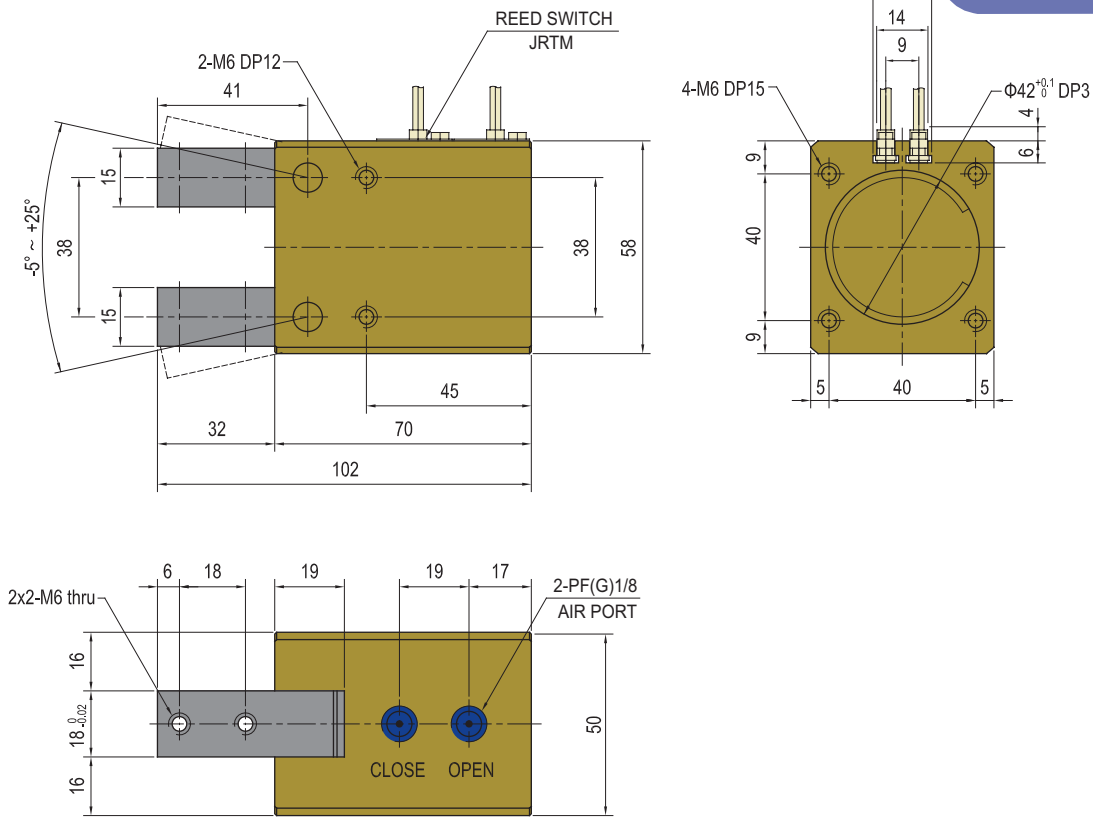


AF24-30



AF24

AF24-40



Note