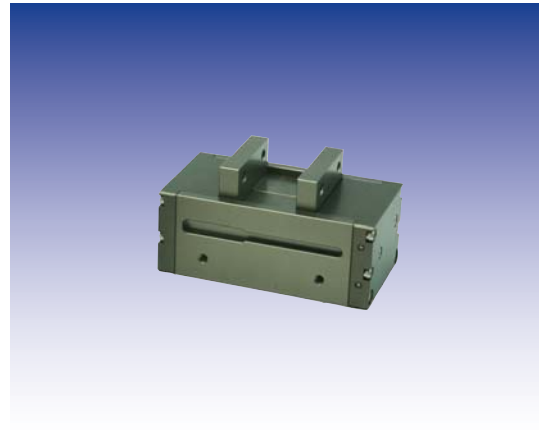


# Gripper

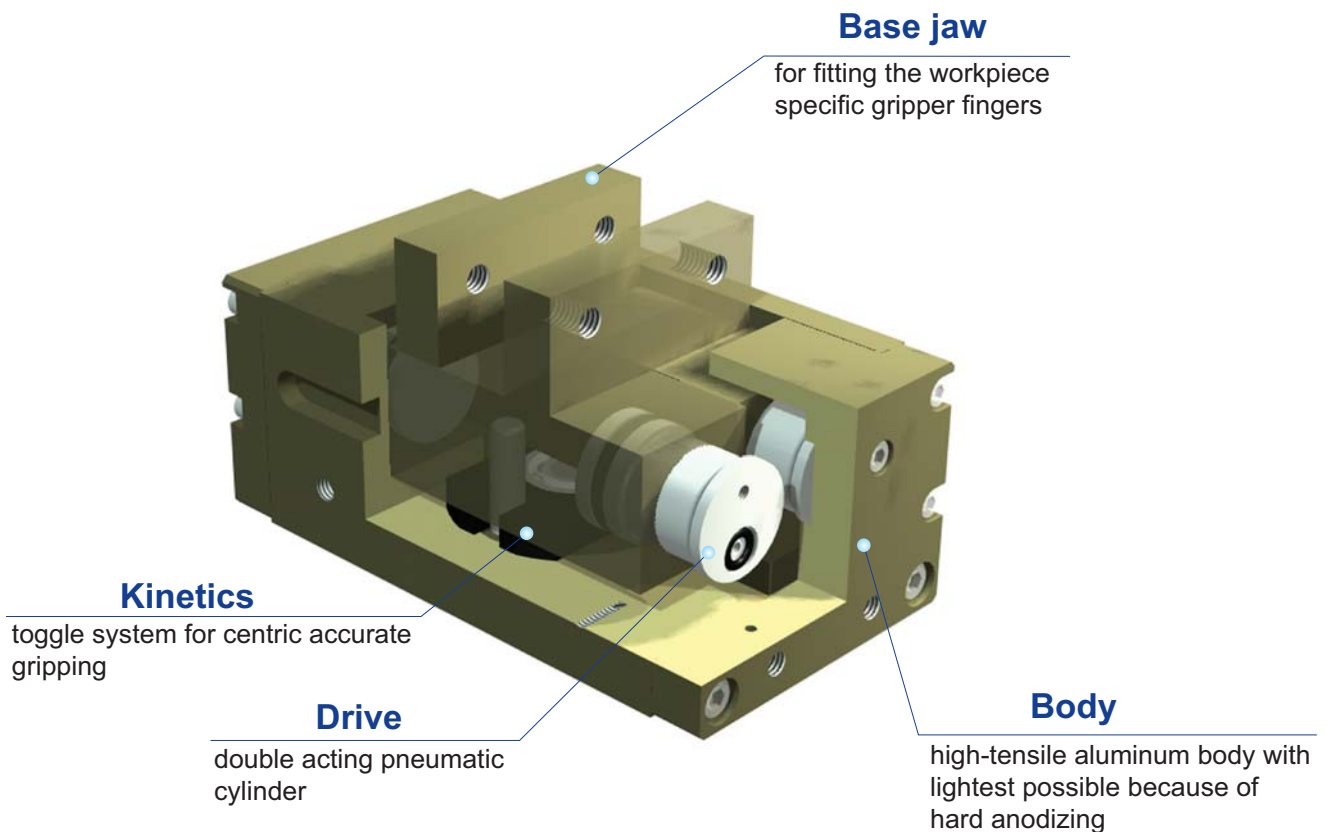
AF28D-10,14,16,20,30

## Character

- High gripping forces by the structure of synchronized dual piston
- Body & parts made of aluminium alloy-Compact & Light weight gripper
- A dust cover to prevent coarse particle
- Magnetic sensor is available for open-close sensing

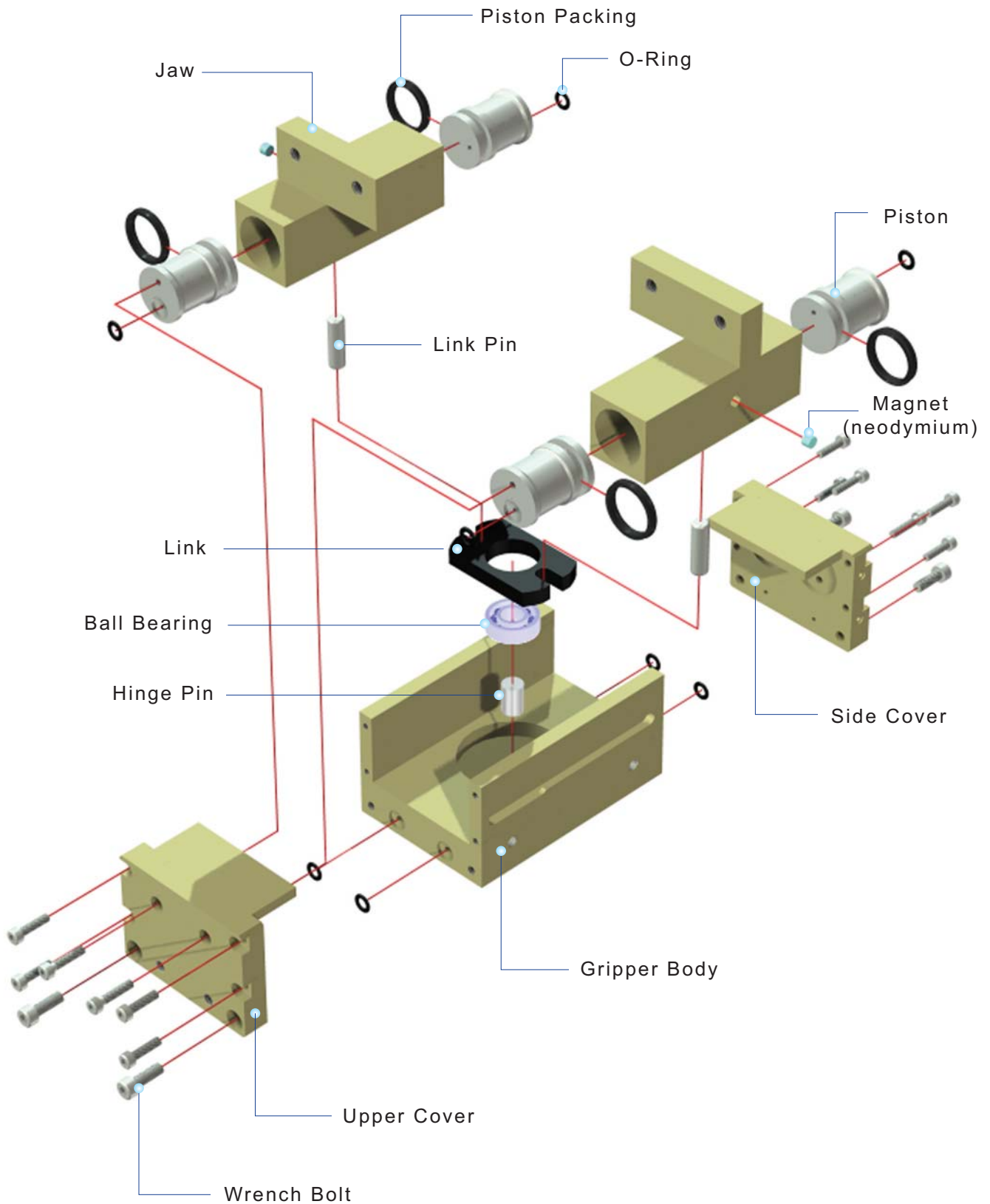


## Link lever type



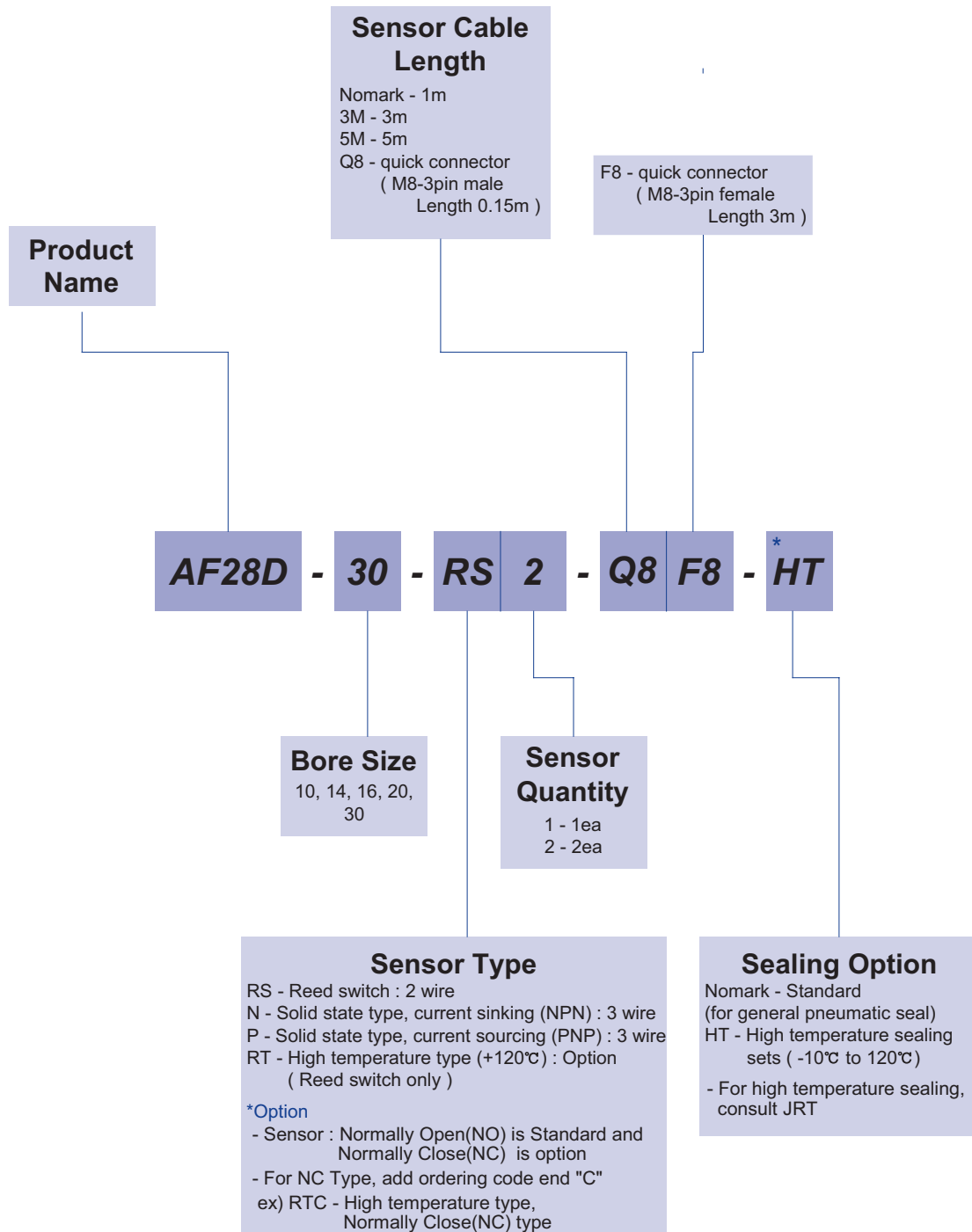
# AF28D

## Exploded view



# AF28D

## Ordering Code



The delivery of \* mark option is longer than a standard, So inquire of JRT

# AF28D

## Specification

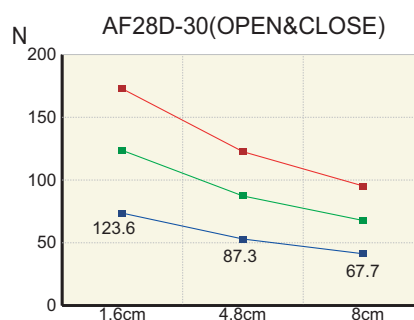
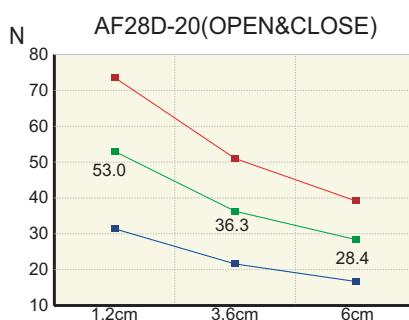
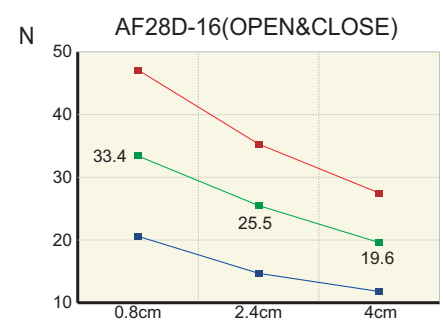
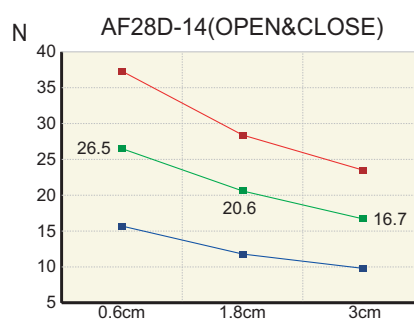
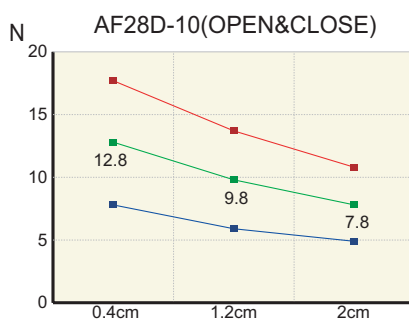
P=Air Pressure[bar] , L=Exertion length[mm]

Products Name	AF28D-10	AF28D-14	AF28D-16	AF28D-20	AF28D-30	Unit
Stroke	15	20	24	30	36	mm
Weight	0.19	0.3	0.42	0.8	1.57	kg
Max. length of attach	20	30	40	60	80	mm
Fitting size	M5	M5	M5	M5	M5	
Gripping force:Open Gripping force:Close	2.85P/ (1+0.039L)	6.28P/ (1+0.03L)	8.14P/ (1+0.026L)	13.44P/ (1+0.023L)	31.00P/ (1+0.016L)	N
Air consumption per cycle	2.4	6.2	9.7	18.8	50.9	cm <sup>3</sup>
Closing / Opening time	0.02 / 0.02	0.03 / 0.03	0.03 / 0.03	0.04 / 0.04	0.05 / 0.05	sec
* Repeat accuracy	0.01	0.01	0.01	0.01	0.01	mm
Max.cycle per minute	60	60	60	40	40	
Operating pressure	3~7					bar
Ambient temperature	-5 to 60					°C
Lubrication	Needless					

\* After 100 consecutive strokes to end positions

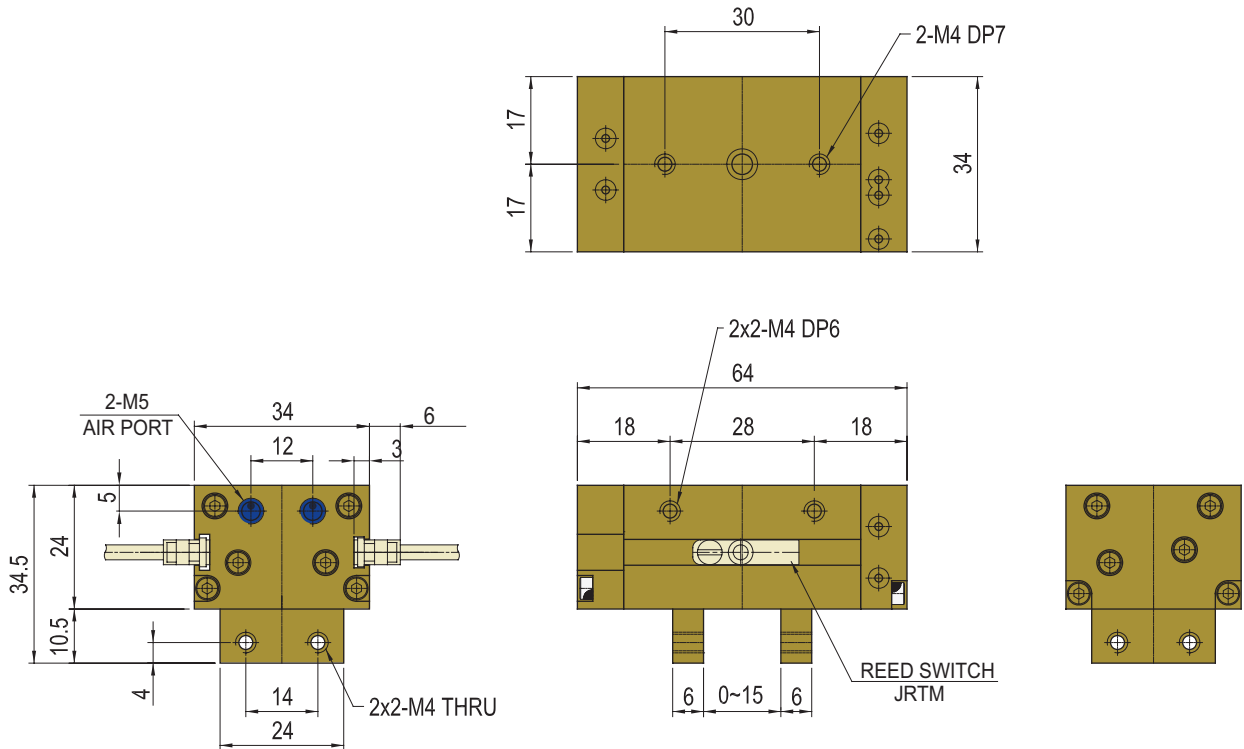
## Gripping Force per exertion length

Legend : ■ 7[bar] ■ 5[bar] ■ 3[bar]

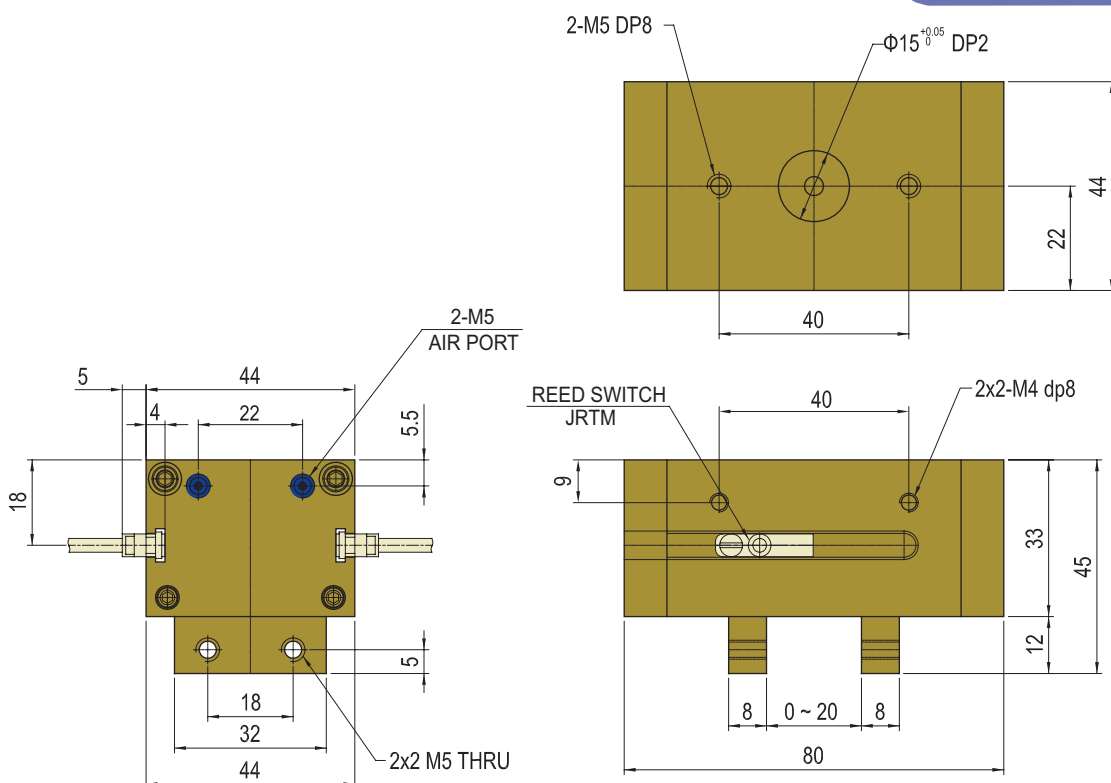


# AF28D

## AF28D-10

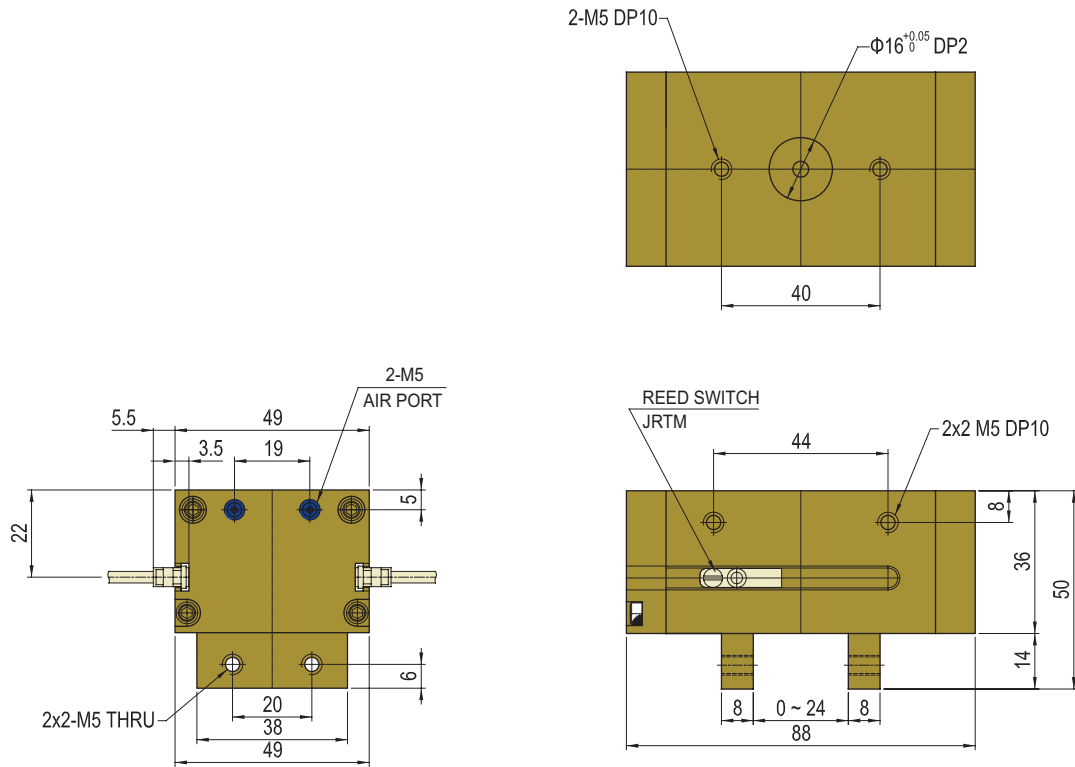


## AF28D-14

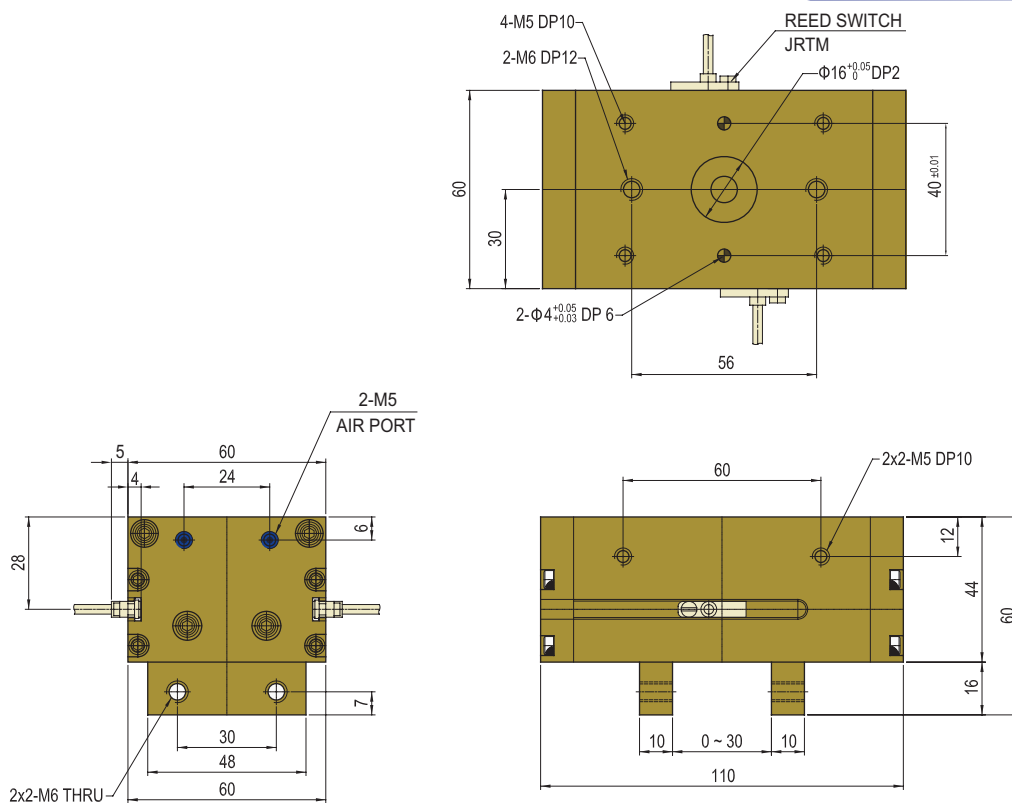


# AF28D

## AF28D-16

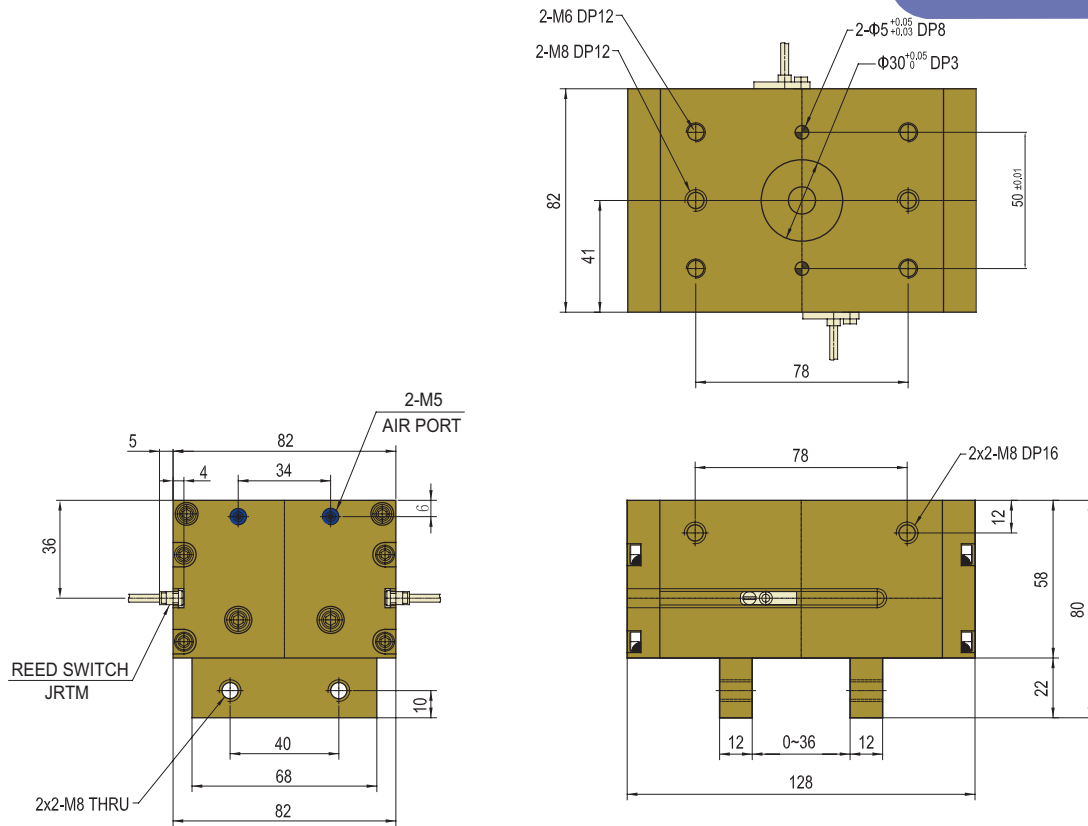


## AF28D-20



# AF28D

## AF28D-30



## Note

# Notes

A large grid of dashed lines for writing notes, consisting of 20 columns and 25 rows of squares. The grid is contained within a rounded rectangular border.