

# Rotary Cylinder

RJC-40,63,80

## Character

- Rotary actuator of driving shaft coupled chain join piston type
- Built in hydro cushion reduce shock at end of rotation and increase road stopping capacity
- Smoothly rotation at field of low speed
- A driving shaft with center through bore assemble easily into a module
- Attention to select the position tap hole & direction of rotation



## Air hydraulic

### Body

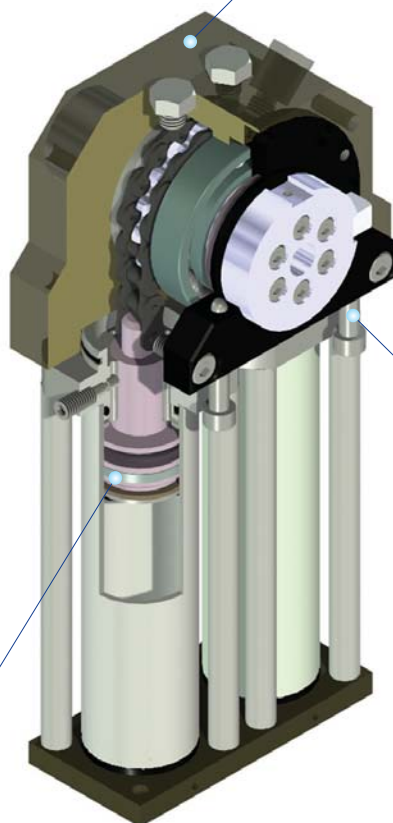
high-tensile aluminum body with lightest possible because of hard anodizing

### Stop screw

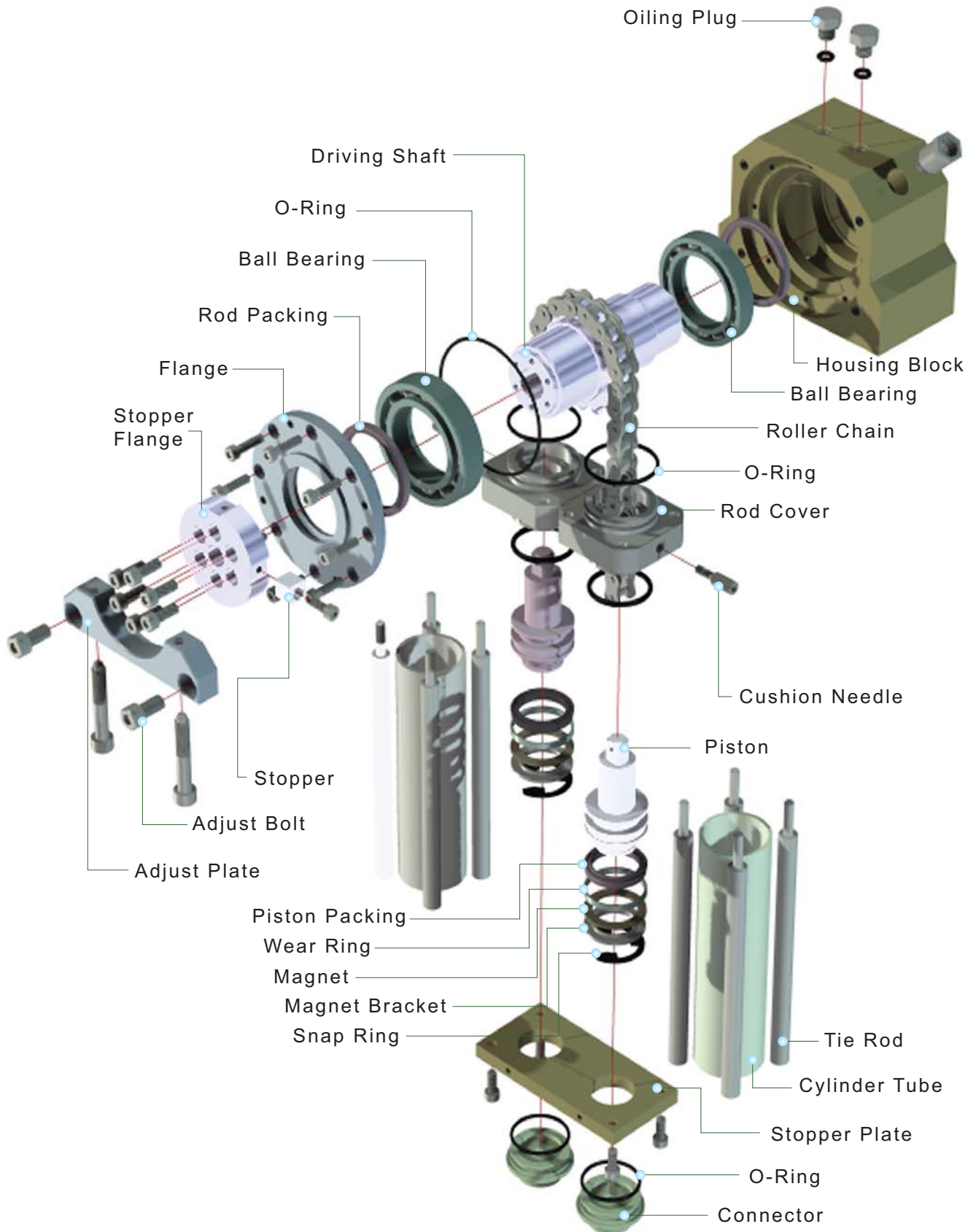
end stop adjustable via adjustment screw

### Drive

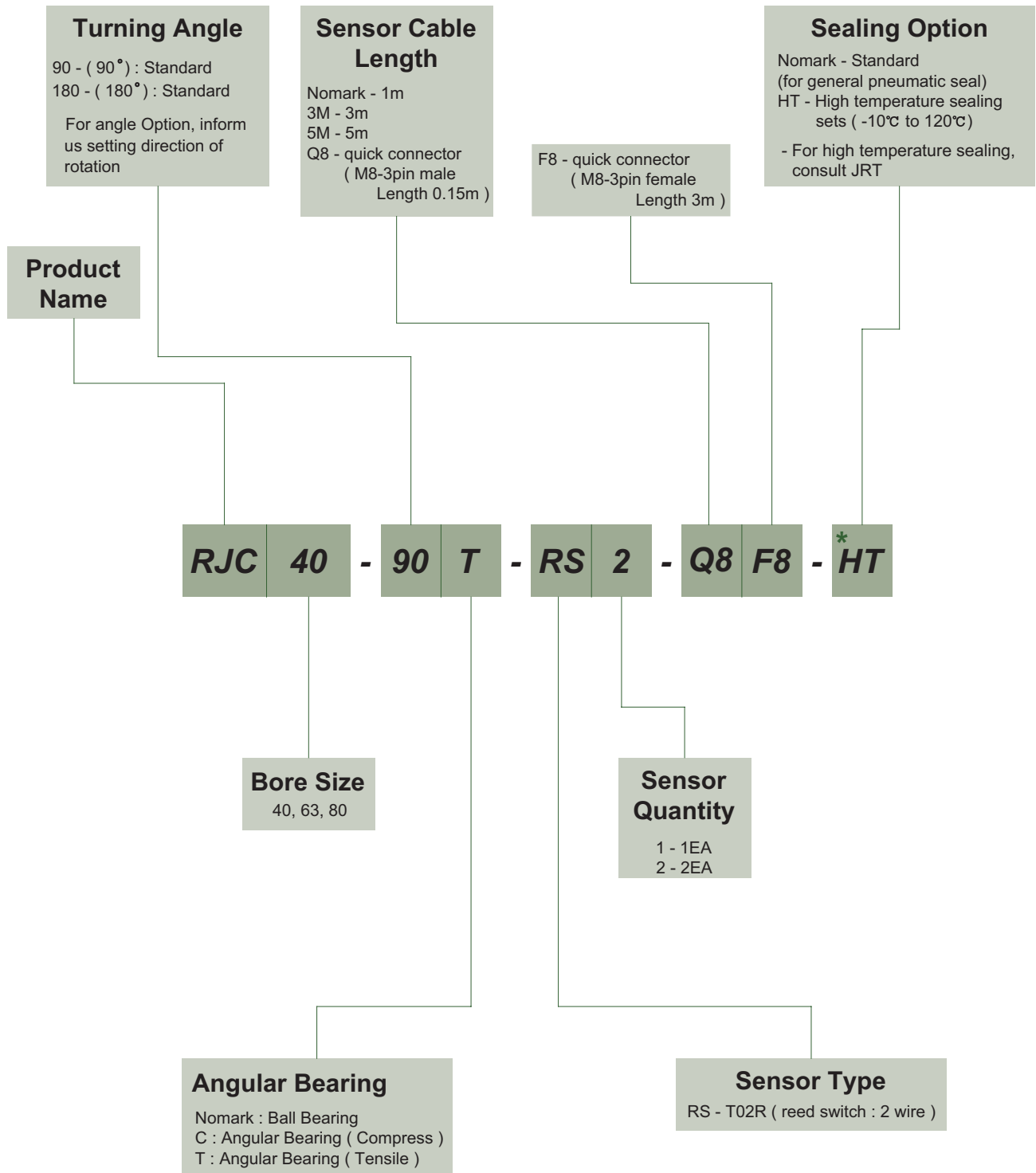
double acting pneumatic cylinder



## Exploded view



## Ordering Code

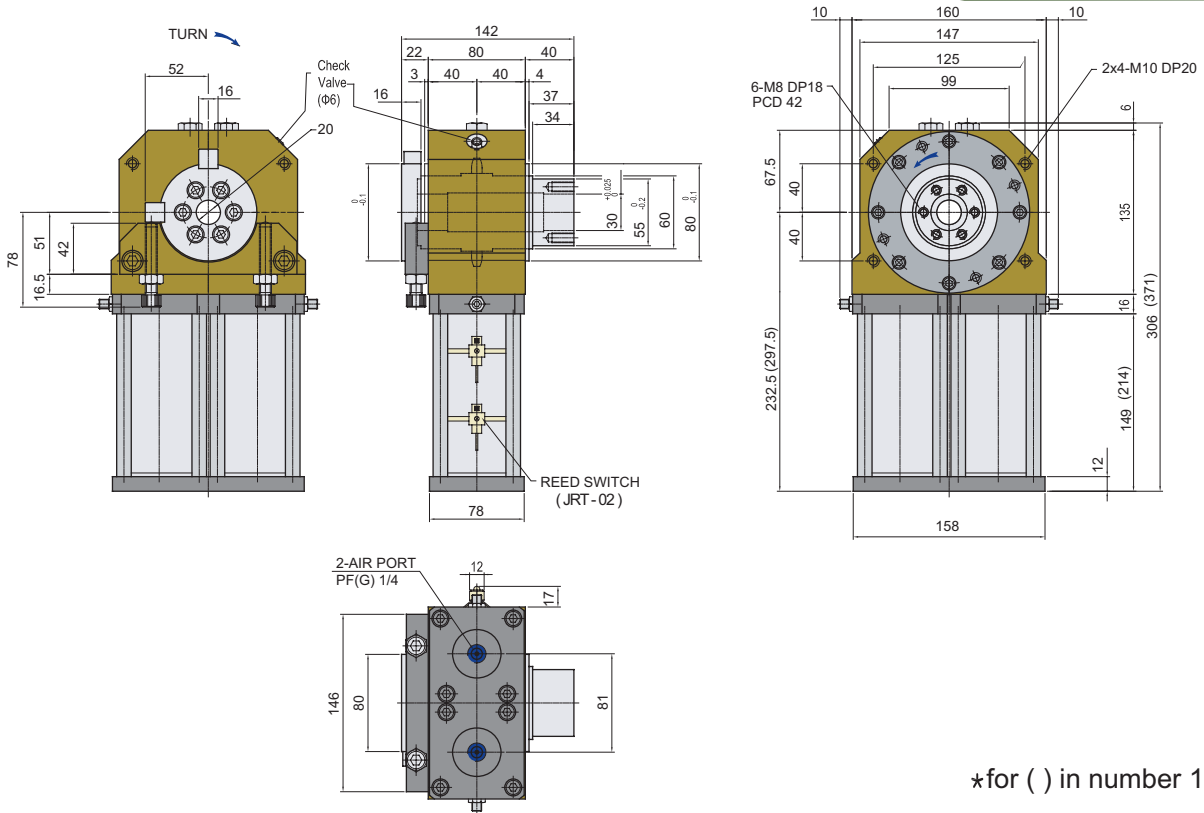


*The delivery of \* mark option is longer than a standard, So inquire of JRT*



# RJC

## RJC-63



## RJC-80

