

SOLENOID VALVES 750 SERIES • 5/2

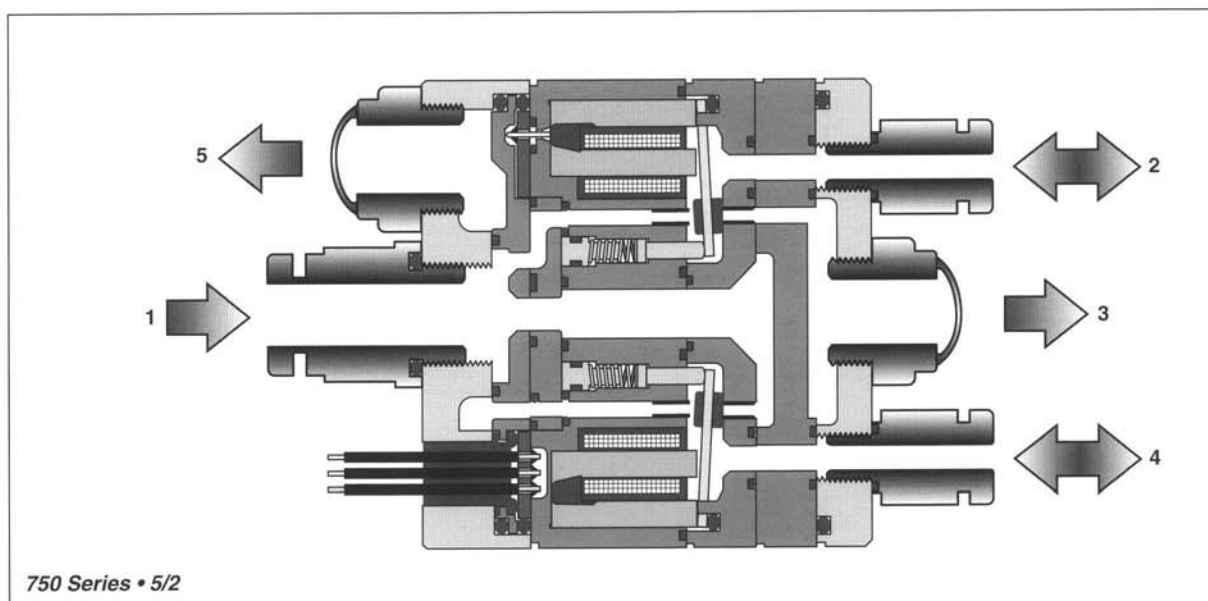
5/2 750 Series encloses 8 shutters in a single body, four in NC configuration and four in NO configuration. Shutters are placed in NC - NO couples and every couple is combined to a single control, providing the change of function.

The 8 outlets of the solenoid valve are also placed in an alternated NC - NO sequence and every couple is prearranged to control a double-acting cylinder.

The models present all the innovations offered by Matrix technology, combining dynamic high-performance with the simplicity and reliability of the manufacture. Response times are of milliseconds while operating life lasts over 500 million cycles.

Due to the control of speed-up type, dynamic characteristics are even more improved. Standard solenoid valves have a response time lower than 5 ms in opening and in closing, with a maximum operating frequency of 100 Hz.

For 5/2 750 series, a lot of accessories are available, such as IP 52 or IP 56 connectors, manifolds with different positions and speed-up driver boards.



Advantages

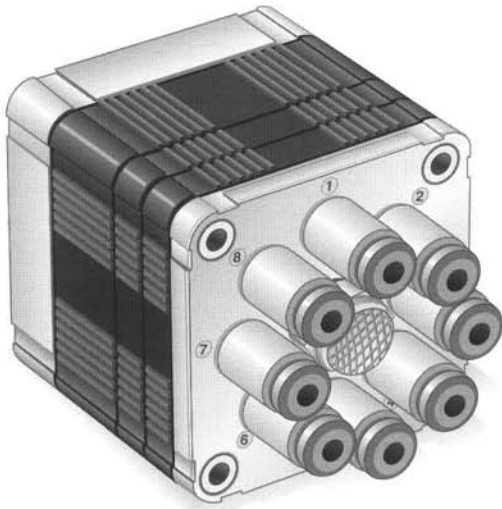
- Compact dimension.
- Short response times.
- Insensitivity to frequency work and to vibrations.
- Low absorbed power.
- Precision, repetitiveness and flexibility.
- Long operating life.

Applications

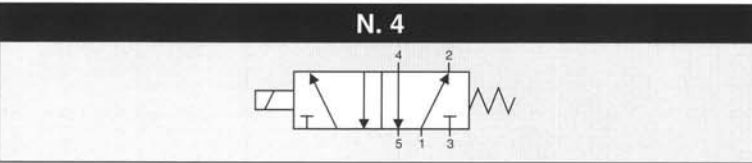
- Process and precision instrumentation.
- Industrial automation.
- Robotics.
- Positioning systems.
- Piloting.

Materials

- Body in PPS.
- Flanges in Al.
- Seals in NBR (shutters in HNBR if required).



CONTROL: **DIRECT**



GENERAL CHARACTERISTICS

FLUID	Non-lubricated dry air, neutral gases (-10 + 50°C)
FILTRATION RATING	Min 40 micron
TEMPERATURE	- 10 + 50°C (Standard version)
RESPONSE TIME IN OPENING	KK < 5 ms
RESPONSE TIME IN CLOSING	KK < 5 ms
MAXIMUM FREQUENCY	100 Hz
WEIGHT	380 g
PRODUCT LIFE EXPECTANCY	≥ 500 M/s cycles
IP RATING	IP 52 - IP 65

IDENTIFICATION CODE

	H	X	7	5	8	4	E	8	E	5	KK
--	----------	----------	----------	----------	----------	----------	----------	----------	----------	----------	-----------

● **OUTLETS**

8	8 Outlets
----------	-----------

● **FLOW RATE** (at 6 bar)

H	50 NI / min
----------	-------------

● **VERSION**

	Standard
H	HNBR Shutters

● **No. ELECTRICAL CONTROLS**

4	4 Controls
----------	------------

● **PORT CONNECTION**

E	Presetting for Easy connection IP 52 - IP 65
----------	---

● **FUNCTIONS**

E	N.4 Outlets NO N.4 Outlets NC
----------	----------------------------------

● **TYPE**

5	5/2
----------	-----

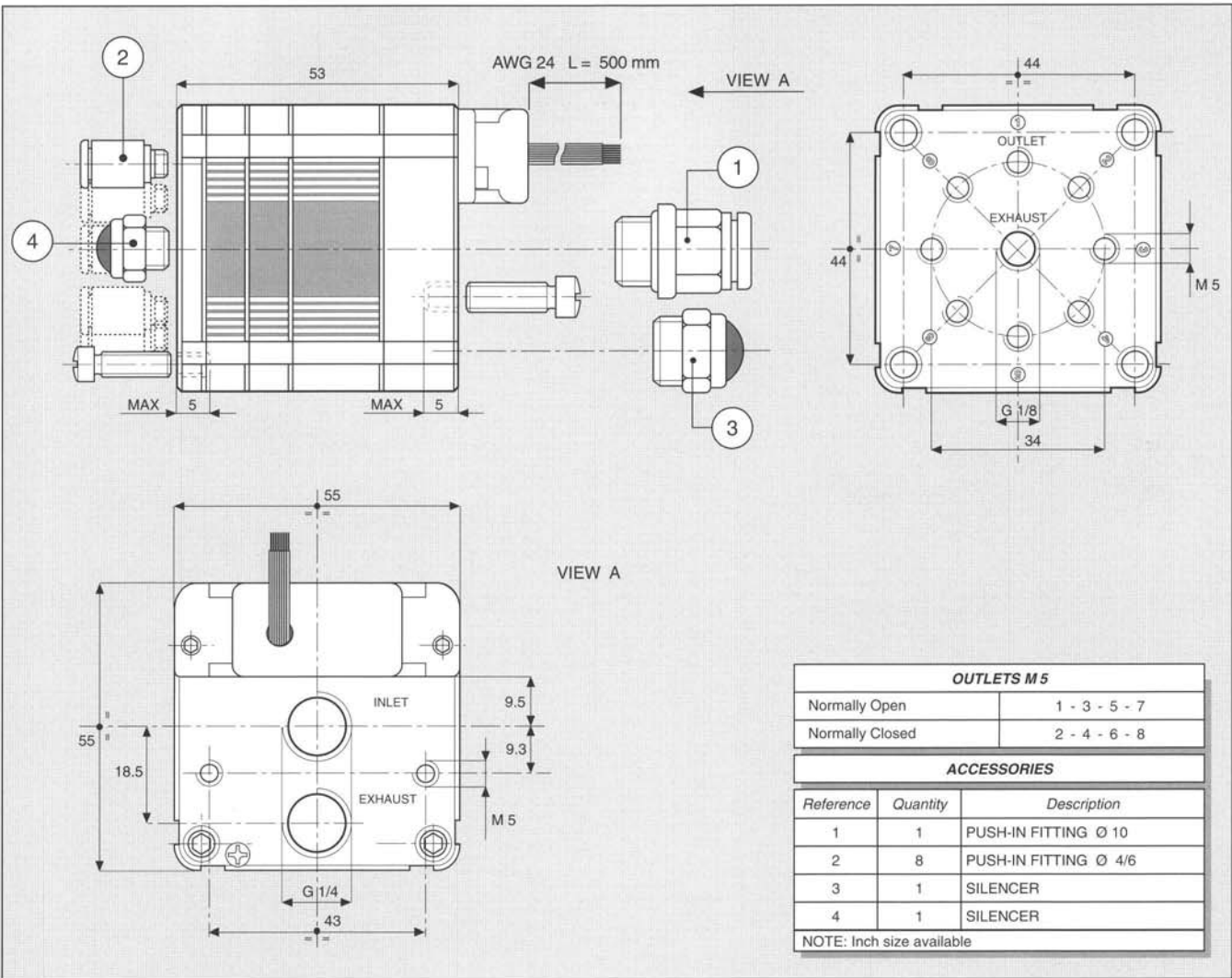
● **CONTROL TENSION**

KK	Speed-up in tension	ED 100% ⁽¹⁾	—
-----------	---------------------	------------------------	---

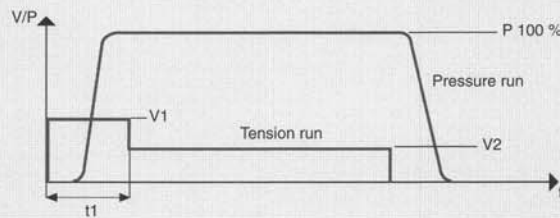
(1) Only with Electronic Driver Boards PRB or UDB

● **OPERATING PRESSURE**

	RANGE	MODELS
8	2 - 6 bar	All



CHARACTERISTICS OF THE ELECTRICAL CONTROL - MODELS KK

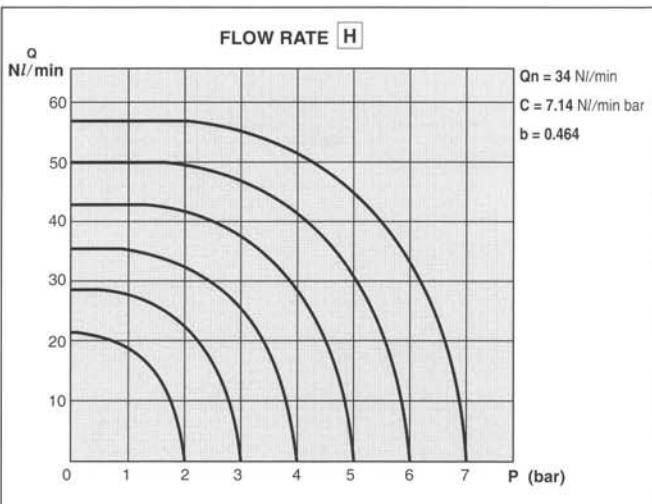


N.B. KK MODELS ARE CONTROLLED IN TENSION

V1 = 24 VDC

t1 = 6 ms

V2 = 5 VDC



ELECTRICAL PORT CONNECTION

COLOUR	4 CONTROLS
BLACK	COMMON
BROWN	1 - 2
RED	3 - 4
ORANGE	5 - 6
YELLOW	7 - 8