

Metric Size R(PT) Thread Type

- One -Touch Fittings
- Compact One -Touch Fittings
- Speed Controllers
- Metal Body Speed Controllers
- Rotary Joints
- Stop Fittings
- Check Valves
- **Ball Valves**
- Main Blocks
- Hand Valves
- Hand Slide Valves
- Two-Touch Fittings

BALL VALVES

Application

- Used for controlling air supply in the opened and closed positions.

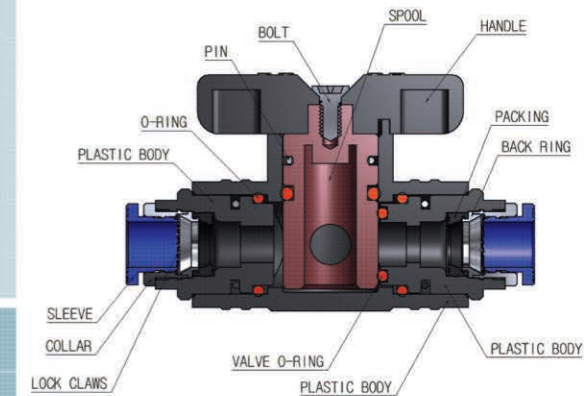
Feature

- Available for water as well as air with PPS resin body.
- The sectional dimension of the compact body optimizes as much flow as the tube capacity in proportion.

Specification

Fluid	Air & Water	
Working Pressure Range	0 ~ 284PSI	
Negative Pressure	-29.5 in Hg	-750mmHg(10Torr)
Temperature Range	32~176° F	0~80° C
Applicable Tube Material	Polyurethane and Nylon	

Structural Diagram



Product Code System

GBC 20 - 08 02

① ② ③ ④

- ① Type
- ② Effective Sectional Area

	Metric Size	
Code	20	60
Size	20mm ²	60mm ²

- ③ Tube Dia(∅D)

Code	06	08	10	12
Dia	∅6	∅8	∅10	∅12

- ④ Thread Size(T)

	Taper Pipe Thread			
Code	01	02	03	04
Size	R1/8	R1/4	R3/8	R1/2

⚠ CAUTION

- Be sure to read the "Common Precautions" and "Using Precautions of Fitting Series"(P12) before using.
- Be sure to turn at a right angle(90°) when operating handle, otherwise it may cause the shortage of fluid.

⚠ WARNING

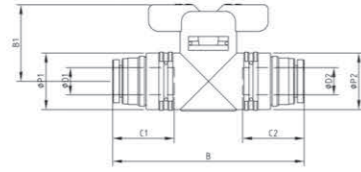
- When using with water, the pressure must not exceed 0~3kgf/cm².
Be sure not to use in a place of vibration, bending, or shocking.
- Be sure to confirm that the Lock Pin is applied correctly. Without the Lock Pin, the body can be disassembled.

GBUC
Union



MODEL[ØD-T] Tube(Metric)-Thread(R)

MODEL	ØD1	ØD2	C1	C2	ØP1	ØP2	B	B1	W.G(g)	Qty/ Inbox
GBUC 20-0606	6	6	17	17	17	17	55.3	23	20.3	25
GBUC 20-0808	8	8	18.5	18.5	17	17	57.6	23	21.1	25
GBUC 60-1010	10	10	21	21	24	24	74.4	28	47.5	12
GBUC 60-1212	12	12	22	22	24	24	80.2	28	52.4	12

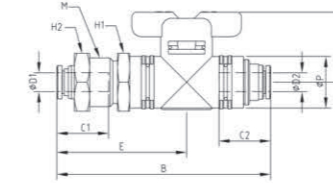


GBM
Bulkhead Union



MODEL[ØD-T] Tube(Metric)-Thread(R)

MODEL	ØD1	ØD2	M	C1	C2	ØP	H1	H2	E	B	B1	W.G(g)	Qty/ Inbox
GBM 20-0606	6	6	M16	17	17	17	19	19	42.65	70.3	23	53.1	25
GBM 20-0806	8	6	M16	18.5	17	17	19	19	43.6	71.25	23	50.7	25
GBM 20-0808	8	8	M16	18.5	18.5	17	19	19	43.6	72.4	23	51.2	25
GBM 60-1010	10	10	M22	21	21	24	24	26	54.4	91.6	28	121.8	12
GBM 60-1210	12	10	M22	22	21	24	24	26	55.4	92.6	28	116.7	12
GBM 60-1212	12	12	M22	22	22	24	24	26	55.4	95.5	28	119.2	12

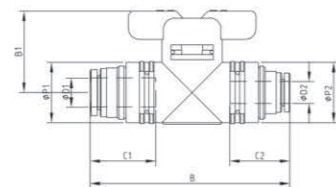


GBUG
Reducing Union



MODEL[ØD-T] Tube(Metric)-Thread(R)

MODEL	ØD1	ØD2	C1	C2	ØP1	ØP2	B	B1	Orifice (mm)	W.G(g)
GBUG 20-0806	8	6	18.5	17	17	17	56.45	23	20.8	25
GBUG 60-1210	12	10	22	21	24	24	77.3	28	50.2	12

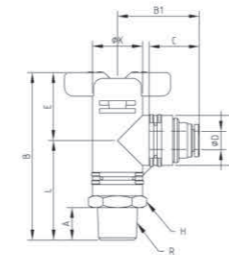


GBL
Elbow



MODEL[ØD-T] Tube(Metric)-Thread(R)

MODEL	ØD	R	C	ØP	E	L	A	ØK	H	B	B1	W.G(g)	Qty/ Inbox
GBL 20-06-01	6	R1/8	17	17	23	30.75	8	17	17	53.75	27.7	30.9	25
GBL 20-06-02	6	R1/4	17	17	23	33.75	11	17	17	56.75	27.7	36	25
GBL 20-06-03	6	R3/8	17	17	23	34.75	12	17	17	57.75	27.7	42	25
GBL 20-08-01	8	R1/8	18.5	17	23	30.75	8	17	17	53.75	28.85	31.4	25
GBL 20-08-02	8	R1/4	18.5	17	23	33.75	11	17	17	56.75	28.85	36.3	25
GBL 20-08-03	8	R3/8	18.5	17	23	34.75	12	17	17	57.75	28.85	42.3	25
GBL 60-10-02	10	R1/4	21	24	28	44.1	11	24	24	72.1	38.1	93	12
GBL 60-10-03	10	R3/8	21	24	28	45.1	12	24	24	73.1	38.1	98	12
GBL 60-10-04	10	R1/2	21	24	28	49.1	15	24	24	77.1	38.1	105.7	12
GBL 60-12-02	12	R1/4	22	24	28	44.4	11	24	24	72.1	41	95.4	12
GBL 60-12-03	12	R3/8	22	24	28	45.1	12	24	24	73.1	41	100.4	12
GBL 60-12-04	12	R1/2	22	24	28	49.1	15	24	24	77.1	41	108	12

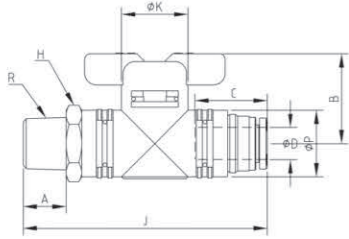


GBC
Straight



MODEL[ØD-T] Tube(Metric)-Thread(R)

MODEL	ØD	R	C	ØP	A	H	J	ØK	B	W.G(g)	Qty/ Inbox
GBC 20-06-01	6	R1/8	17	17	8	17	58.35	17	23	32.1	25
GBC 20-06-02	6	R1/4	17	17	11	17	61.35	17	23	37.1	25
GBC 20-06-03	6	R3/8	17	17	12	17	62.35	17	23	43	25
GBC 20-08-01	8	R1/8	18.5	17	8	17	59.5	17	23	32.5	25
GBC 20-08-02	8	R1/4	18.5	17	11	17	62.5	17	23	37.5	25
GBC 20-08-03	8	R3/8	18.5	17	12	17	63.5	17	23	43.4	25
GBC 60-10-02	10	R1/4	21	24	11	24	80.4	24	28	94.4	12
GBC 60-10-03	10	R3/8	21	24	12	24	81.4	24	28	99	12
GBC 60-10-04	10	R1/2	21	24	15	24	85.4	24	28	107.2	12
GBC 60-12-02	12	R1/4	22	24	11	24	83.3	24	28	96.9	12
GBC 60-12-03	12	R3/8	22	24	12	24	84.3	24	28	101.9	12
GBC 60-12-04	12	R1/2	22	24	15	24	88.3	24	28	109.6	12



GBLG
Reducing Union Elbow



MODEL[ØD-T] Tube(Metric)-Thread(R)

MODEL	ØD1	ØD2	C1	C2	ØP1	ØP2	E	ØK	B	B1	W.G(g)	Qty/ Inbox
GBLG 20-0608	6	8	17	18.5	17	17	27.7	17	50.7	28.85	19.6	25
GBLG 20-0806	8	6	18.5	17	17	17	28.85	17	51.85	27.70	19.6	25
GBLG 60-1012	10	12	21	22	24	24	38.1	24	66.1	41.0	48.5	12
GBLG 60-1210	12	10	22	21	24	24	41.0	24	69.0	38.1	48.4	12

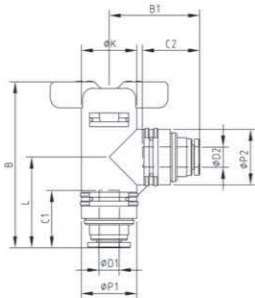


GBUL
Union Elbow



MODEL[ØD-T] Tube(Metric)-Thread(R)

MODEL	ØD1	ØD2	C1	C2	ØP1	ØP2	ØK	B	L	B1	W.G(g)	Qty/ Inbox
GBUL 20-0606	6	6	17	17	17	17	17	50.7	27.7	27.7	19.2	25
GBUL 20-0808	8	8	18.5	18.5	17	17	17	51.85	28.85	28.85	20	25
GBUL 60-1010	10	10	21	21	24	24	24	66.1	38.1	38.1	46	12
GBUL 60-1212	12	12	22	22	24	24	24	69.0	41.0	41.0	51	12

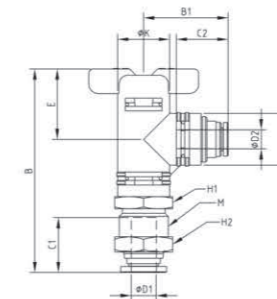


GBLM
Bulkhead Union Elbow



MODEL[ØD-T] Tube(Metric)-Thread(R)

MODEL	ØD1	ØD2	M	C1	C2	ØP	E	ØK	B	H1	H2	B1	W.G(g)	Qty/ Inbox
GBLM 20-0606	6	6	M16	17	17	17	23	17	65.7	19	19	27.7	52	25
GBLM 20-0806	8	6	M16	18.5	17	17	23	17	66.65	19	19	27.7	49.6	25
GBLM 20-0808	8	8	M16	18.5	18.5	17	23	17	66.65	19	19	28.85	50	25
GBLM 60-1010	10	10	M22	21	21	24	28	24	83.3	24	26	38.1	120.4	12
GBLM 60-1210	12	10	M22	22	21	24	28	24	84.3	24	26	38.1	115	12
GBLM 60-1212	12	12	M22	22	22	24	28	24	84.3	24	26	41	117.7	12



Metric Size G(PF) Thread Type

- One -Touch Fittings
- Compact One -Touch Fittings
- Speed Controllers
- Metal Body Speed Controllers
- Rotary Joints
- Stop Fittings
- Check Valves
- **Ball Valves**
- Hand Valves

BALL VALVES

Application

- Used for controlling air supply in the opened and closed positions.

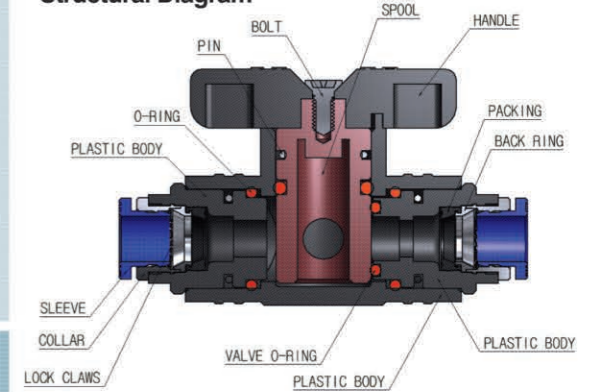
Feature

- Available for water as well as air with PPS resin body.
- The sectional dimension of the compact body optimizes as much flow as the tube capacity in proportion.

Specification

Fluid	Air & Water	
Working Pressure Range	0 ~ 284PSI	
Negative Pressure	-29.5 in Hg	-750mmHg(10Torr)
Temperature Range	32~176° F	0~80° C
Applicable Tube Material	Polyurethane and Nylon	

Structural Diagram



Product Code System

GBC 20-08-G02

① Type ② ③ ④

- ① Type
- ② Effective Sectional Area

	Metric Size	
Code	20	60
Size	20mm ²	60mm ²

- ③ Tube Dia(∅D)

Code	06	08	10	12
Dia	∅6	∅8	∅10	∅12

- ④ Thread Size(T)

	Taper Pipe Thread			
Code	G01	G02	G03	G04
Size	R1/8	R1/4	R3/8	R1/2

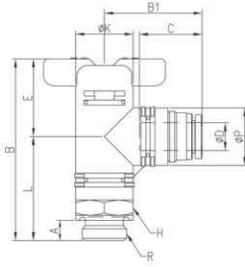
CAUTION

- Be sure to read the "Common Precautions" and "Using Precautions of Fitting Series"(P12) before using.
- Be sure to turn at a right angle(90°) when operating handle, otherwise it may cause the shortage of fluid.

WARNING

- When using with water, the pressure must not exceed 0~3kgf/cm².
Be sure not to use in a place of vibration, bending, or shocking.
- Be sure to confirm that the Lock Pin is applied correctly. Without the Lock Pin, the body can be disassembled.

GBL-G
Elbow



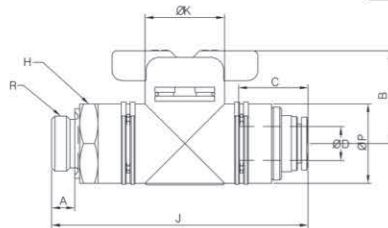
MODEL[ØD-T] Tube(Metric)-Thread(G)

MODEL	R	C	ØP	E	L	A	ØK	H	B	B1	W.G(g)	Qty/ Inbox
GBL 20-06G01	G1/8	17	17	23	29.75	5	17	17	52.75	27.7	31	25
GBL 20-06G02	G1/4	17	17	23	30.75	6	17	17	53.75	27.7	36	25
GBL 20-06G03	G3/8	17	17	23	31.75	7	17	17	54.75	27.7	41.9	25
GBL 20-08G01	G1/8	18.5	17	23	29.75	5	17	17	52.75	28.85	31.4	25
GBL 20-08G02	G1/4	18.5	17	23	30.75	6	17	17	53.75	28.85	34.4	25
GBL 20-08G03	G3/8	18.5	17	23	31.75	7	17	17	54.75	28.85	42.3	25
GBL 60-10G02	G1/4	21	24	28	40.1	6	24	24	68.1	38.1	93	12
GBL 60-10G03	G3/8	21	24	28	41.1	7	24	24	69.1	38.1	98	12
GBL 60-10G04	G1/2	21	24	28	42.6	8.5	24	24	70.6	38.1	105.4	12
GBL 60-12G02	G1/4	22	24	28	40.1	6	24	24	68.1	41	95.4	12
GBL 60-12G03	G3/8	22	24	28	41.1	7	24	24	69.1	41	100.4	12
GBL 60-12G04	G1/2	22	24	28	42.6	8.5	24	24	70.6	41	108.1	12

Ball Valve

Ball Valve

GBC-G
Straight



MODEL[ØD-T] Tube(Metric)-Thread(G)

MODEL	ØD	R	C	ØP	A	H	J	ØK	B	W.G(g)	Qty/ Inbox
GBC 20-06G01	6	G1/8	17	17	5	17	57.35	17	23	32.1	25
GBC 20-06G02	6	G1/4	17	17	6	17	58.35	17	23	37.1	25
GBC 20-06G03	6	G3/8	17	17	7	21	59.35	17	23	42.9	25
GBC 20-08G01	8	G1/8	18.5	17	5	17	58.5	17	23	32.5	25
GBC 20-08G02	8	G1/4	18.5	17	6	17	59.5	17	23	37.5	25
GBC 20-08G03	8	G3/8	18.5	17	7	21	60.5	17	23	43.4	25
GBC 60-10G02	10	G1/4	21	24	6	24	76.4	24	28	94.4	12
GBC 60-10G03	10	G3/8	21	24	7	24	77.4	24	28	99.4	12
GBC 60-10G04	10	G1/2	21	24	8.5	24	78.9	24	28	107.2	12
GBC 60-12G02	12	G1/4	22	24	6	24	79.3	24	28	96.9	12
GBC 60-12G03	12	G3/8	22	24	7	24	80.3	24	28	101.9	12
GBC 60-12G04	12	G1/2	22	24	8.5	24	81.8	24	28	109.6	12