

**fluimac**<sup>®</sup>  
pump solution

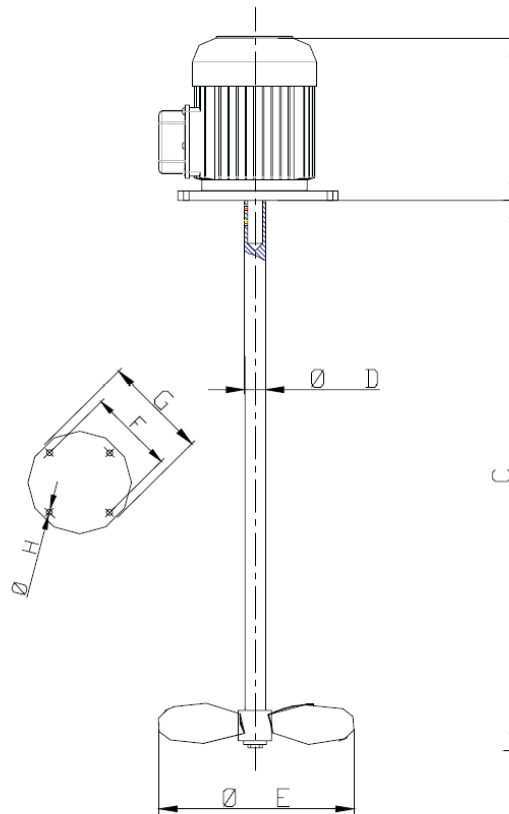
**BIBUS**<sup>®</sup>  
SUPPORTING YOUR SUCCESS



---

**MIXER**

**Swift mixers with low power rating Kw 0.37, easy and economic construction, for mixing on little tanks max 1 m<sup>3</sup> for low viscosity fluid. Impeller "MARINE PROPELLER" inclination of 35°. Available in Aisi 304 or PVC coating.**

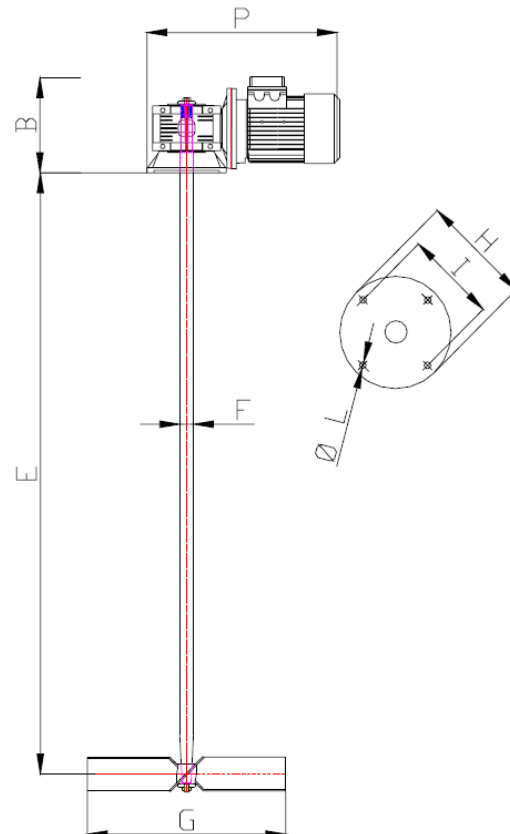


	Kw	Rpm	C	D	E	F	G	H
<b>AM 018-4</b>	0,18	1400	600	20	110	115	140	4x9
<b>AM 025-4</b>	0,25	1400	800	20	120	130	160	4x9
<b>AM 037-4</b>	0,37	1400	900	20	130	130	160	4x9
<b>AM 018-6</b>	0,18	900	600	20	120	130	160	4x9
<b>AM 025-6</b>	0,25	900	800	20	130	130	160	4x10
<b>AM 037-6</b>	0,37	900	900	25	140	165	200	4x11



# SERIES MR

Slow mixers, used in water treatment, on little-medium tank max 10 m<sup>3</sup> of capacity. Impeller with 4 inclined blades. The shaft of the mixer is directly key coupled with the hollow shaft of worm gearbox. Available in Aisi 304-316 or PVC coating.



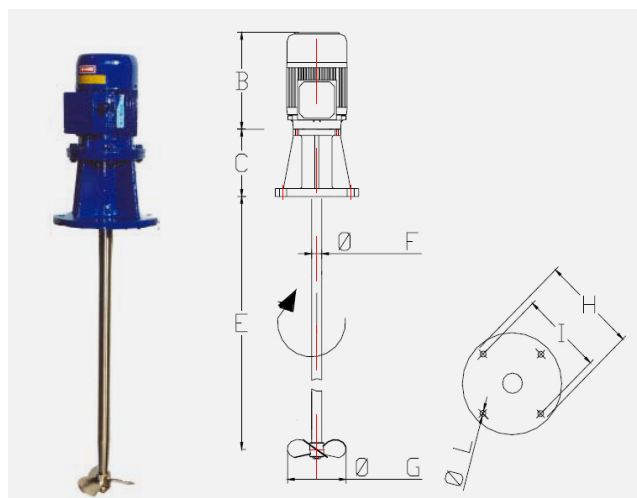
	Kw	Rpm	B	E	F	G	H	I	L	P
<b>MR 018-4</b>	0,18	140	140	700	25	200	140	115	4x9	320
<b>MR 025-4</b>	0,25	90	180	800	30	300	160	130	4x10	360
<b>MR 037-4</b>	0,37	90	180	1000	30	350	160	130	4x10	360
<b>MR 055-4</b>	0,55	90	220	1000	35	400	200	165	4x12	420
<b>MR 075-4</b>	0,75	90	220	1200	35	500	200	165	4x12	420
<b>MR 110-4</b>	1,1	90	250	1500	35	550	200	165	4x12	500
<b>MR 150-4</b>	1,5	70	250	1500	40	700	200	165	4x12	520



**Swift mixer with rigid coupling to 4-6-8 poles motors equipped whit a stuffing box and radial bearing and gasket ring.**

**Impeller "MARINE PROPELLER" inclination of 35°. These mixers are particularly suitable for mixing or dissolution of products whit low viscosity in little-medium tank.**

**Material Aisi 304-316 supplied whit shaft and impeller.**



	Kw	Rpm	B	C	E	F	G	H	I	L
<b>SL 018-4</b>	0,18	1400	180	120	600	25	110	160	130	4x14
<b>SL 025-4</b>	0,25	1400	200	120	600	25	110	160	130	4x14
<b>SL 037-4</b>	0,37	1400	200	120	800	25	120	160	130	4x14
<b>SL 055-4</b>	0,55	1400	240	165	900	30	140	210	170	4x18
<b>SL 075-4</b>	0,75	1400	240	165	1000	30	150	210	170	4x18
<b>SL 110-4</b>	1,1	1400	260	200	1250	35	160	265	225	8x18
<b>SL 150-4</b>	1,5	1400	280	200	1500	35	170	265	225	8x18

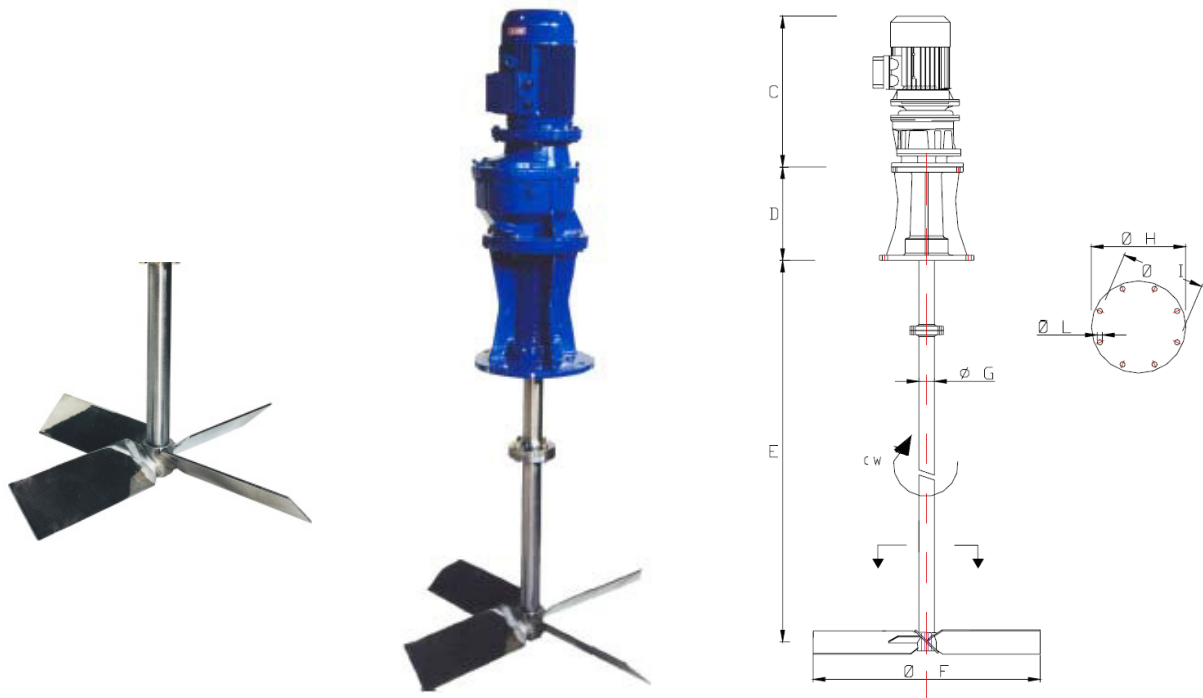
	Kw	Rpm	B	C	E	F	G	H	I	L
<b>SL 018-6</b>	0,18	900	200	120	600	25	110	160	130	4x14
<b>SL 025-6</b>	0,25	900	200	120	600	25	120	160	130	4x14
<b>SL 037-6</b>	0,37	900	240	165	800	30	130	160	130	4x14
<b>SL 055-6</b>	0,55	900	240	165	900	30	150	210	170	4x18
<b>SL 075-6</b>	0,75	900	260	165	1000	30	160	210	170	4x18
<b>SL 110-6</b>	1,1	900	280	200	1250	35	170	265	225	8x18
<b>SL 150-6</b>	1,5	900	300	200	1500	35	190	265	225	8x18

	Kw	Rpm	B	C	E	F	G	H	I	L
<b>SL 025-8</b>	0,25	700	240	165	800	30	160	210	170	4x14
<b>SL 037-8</b>	0,37	700	260	165	800	30	180	210	170	4x14
<b>SL 055-8</b>	0,55	700	280	165	1000	30	200	210	170	4x18
<b>SL 075-8</b>	0,75	700	280	200	1000	30	220	265	225	8x18
<b>SL 110-8</b>	1,1	700	280	200	1200	35	240	265	225	8x18
<b>SL 150-8</b>	1,5	700	300	300	1500	40	260	320	280	8x18



# SERIES RLV

Slow mixers fitted with gear-box coupled to the shaft power.  
 Shaft available in Aisi 304-316 or sheathed rubber. Impellers: Turbine type or special profile.  
 These agitators are particularly suitable for mixing of solution with middle density-viscosity.  
 Used on water treatment and chemical plants on medium-large tanks.  
 This series is completed with equipment max rating kw 15, and max length max 5 mt.



	Kw	Rpm	C	D	E	F	G	H	I	L
<b>RLV 025-4</b>	0,25	212	340	120	800	250	25	160	130	4x14
<b>RLV 037-4</b>	0,37	212	340	120	800	300	25	160	130	4x14
<b>RLV 055-4</b>	0,55	137	380	160	1000	400	30	210	170	4x18
<b>RLV 075-4</b>	0,75	110	430	200	1500	500	35	265	225	8x18
<b>RLV 110-4</b>	1,1	90	540	200	1500	550	35	265	225	8x18
<b>RLV 150-4</b>	1,5	90	580	200	1500	600	35	265	225	8x18
<b>RLV 150-4</b>	1,5	70	580	200	2000	650	40	265	225	8x18
<b>RLV 220-4</b>	2,2	90	620	300	2000	750	45	320	280	8x18
<b>RLV 220-4</b>	2,2	56	620	300	2500	750	50	320	280	8x18
<b>RLV 300-4</b>	3	56	720	400	3000	1000	60	395	350	8x22

**fluimac**<sup>®</sup>  
p u m p   s o l u t i o n

**BIBUS**<sup>®</sup>  
SUPPORTING YOUR SUCCESS

in the world



FLUIMAC S.r.l.

Via Po, angolo Via Tevere  
21043, Castiglione Olona (VA) - Italy  
Tel.:+39 0331 866688  
Fax:+39 0331 864870

[www.fluimac.com](http://www.fluimac.com)  
[info@fluimac.com](mailto:info@fluimac.com)

